

6

5

4

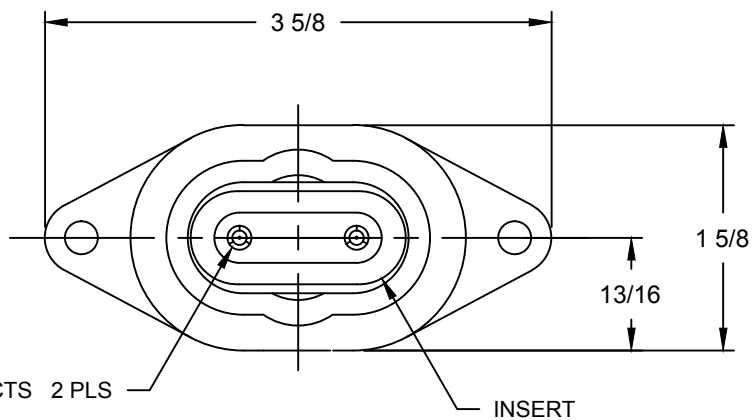
3

2

1

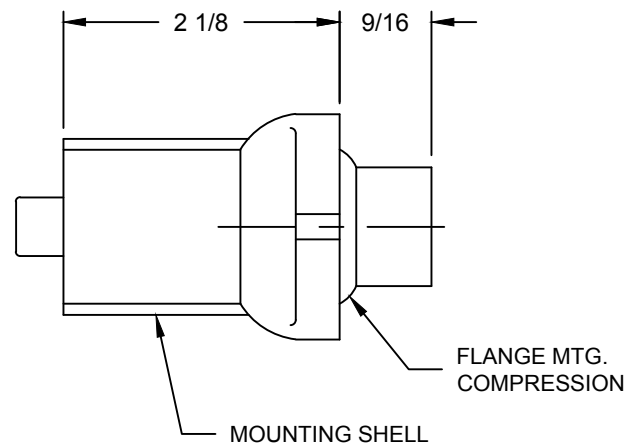
E

E



CONTACTS 2 PLS

INSERT



MOUNTING SHELL

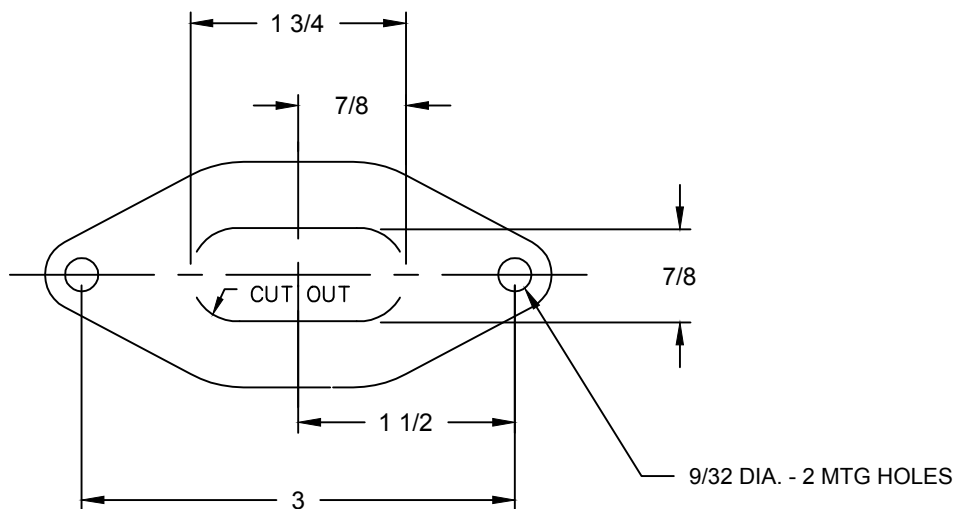
FLANGE MTG.  
COMPRESSION

D

D

C

C



CUT OUT

 $\frac{9}{32}$  DIA. - 2 MTG HOLES

B

B

A

A

MATERIAL:  
 MOUNTING SHELL: ALUMINUM ALLOY 319  
 BODY: RUBBER, YELLOW  
 CONTACTS: BRASS  
 2 - #8-32 X .343 SCREWS: BRASS  
 2 - #8 CUP WASHERS: COPPER, NI PLATED:

MOUNTING PLAN

RELEASED EC NO: IPG2016-0953 DRWN: GGUSTAFS 2015/12/29 CHKD: BARDEN 2016/02/12 APPR: BWOODMAN 2016/01/20	DESCRIPTION REV A	QUALITY SYMBOLS	GENERAL TOLERANCES (UNLESS SPECIFIED)		DIMENSION STYLE	SCALE	DESIGN UNITS	THIRD ANGLE PROJECTION
		$\nabla=0$ $\nabla C=0$	mm	INCH	INCHES	NTS	INCH	
		4 PLACES	±---	±---	DRAWN BY	DATE	TITLE	
		3 PLACES	±---	±.005	GGUSTAFS	2015/12/29	FEMALE RECEPTACLE	
2 PLACES	±---	±.010	CHECKED BY	DATE				
1 PLACE	±---	±---	BARDEN	2016/02/12				
ANGULAR ± 5°			APPROVED BY	DATE				
DRAFT WHERE APPLICABLE MUST REMAIN WITHIN DIMENSIONS			BWOODMAN	2016/01/20				
			MATERIAL NO.					
			1300190007					
			SIZE	THIS DRAWING CONTAINS INFORMATION THAT IS PROPRIETARY TO MOLEX INCORPORATED AND SHOULD NOT BE USED WITHOUT WRITTEN PERMISSION				
			A					
			DOCUMENT NO.		SD-130019-006		SHEET NO.	
							1 OF 1	

6

5

4

3

2

1