

MATERIALS AND FINISHES

BODY ZINC
PLATED TIN

CENTER CONTACT BRASS
PLATED GOLD

OUTER CASING HIGH
TEMPERATURE PLASTIC
KEYING SEE TABLE
COLOR SEE TABLE

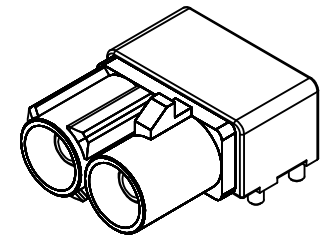
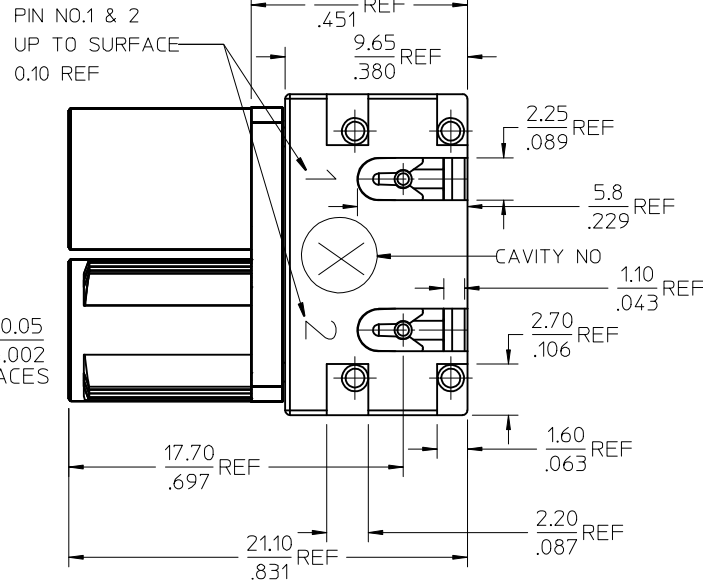
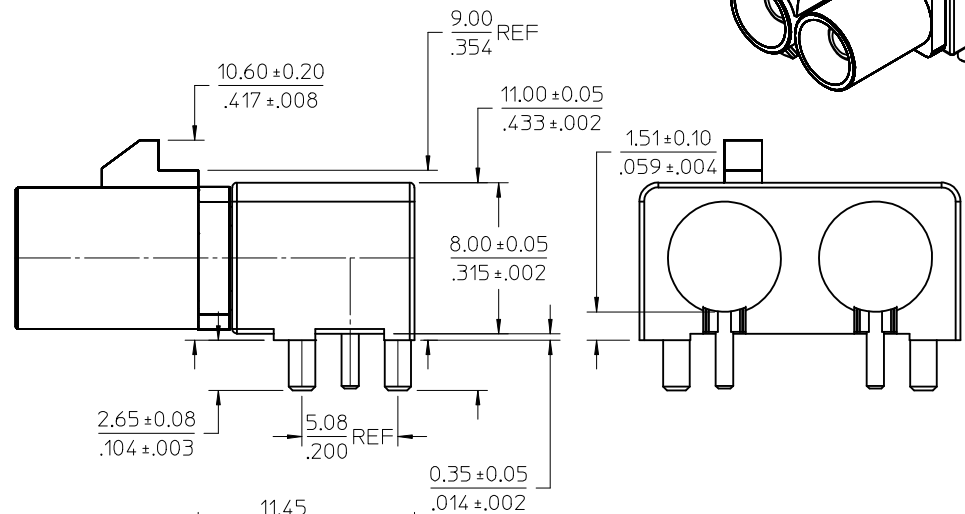
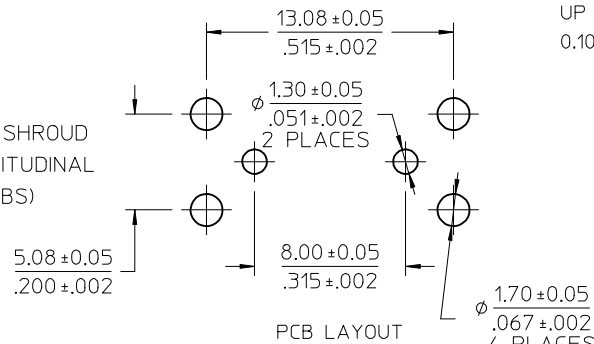
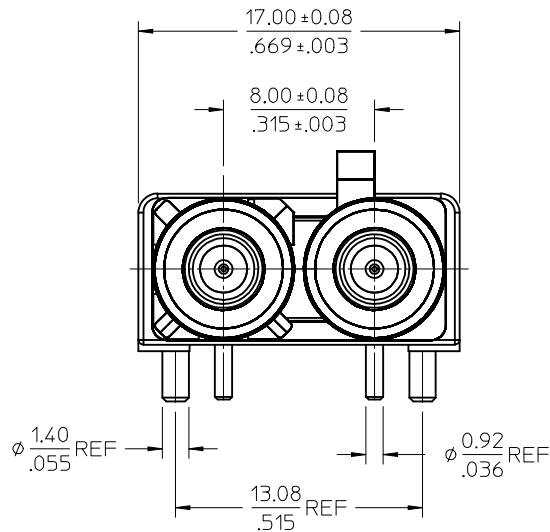
INSULATOR PA46

CAP BRASS
PLATED NICKEL

PACKAGING BY TRAY

RETENTION SPECIFICATION

THE FAKRA CONNECTOR SHROUD
WILL WITHSTAND A LONGITUDINAL
FORCE OF 110 N (24.75 LBS)



PS-89675-3310	PRODUCT SPECIFICATION
MIL-STD-348A, FIG. 311.1	INTERFACE SPECIFICATION
SPECIFICATION	DESCRIPTION

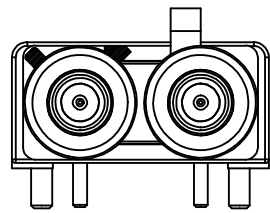
CHG P1& P2 MARK POSITION, ADD CAVITY NO. PDR0812149-D	EC NO: URF2009-0646	2009/05/15
	DRWNSCHOU	2009/05/19
	CHKD:	2009/05/19
	APPR:MHUANG	2009/05/19

QUALITY SYMBOLS	GENERAL TOLERANCES (UNLESS SPECIFIED)	DIMENSION STYLE	SCALE	DESIGN UNITS	THIRD ANGLE PROJECTION
▽=0	4 PLACES ± --- ± ---	MM/IN		METRIC	
▽=0	3 PLACES ± --- ± ---				
	2 PLACES ± --- ± ---				
	1 PLACE ± --- ± ---				
	ANGULAR ± 2 °				

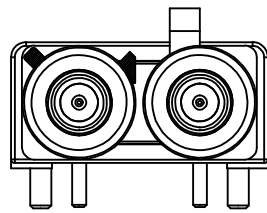
DRAWN BY	DATE	TITLE
JOYCE	2008/12/24	SMB JACK, FAKRA DUAL R/A PCB 50 OHMS SMB-J/PCB
CHECKED BY	DATE	
KERRIE	2008/12/24	
APPROVED BY	DATE	
MISEN	2008/12/24	

MATERIAL NO.	DOCUMENT NO.	SHEET NO.
SEE TABLE	SD-73403-519	1 OF 2

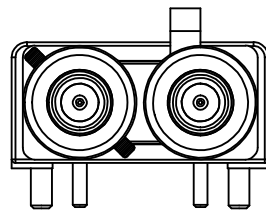
MOLEX INCORPORATED	
THIS DRAWING CONTAINS INFORMATION THAT IS PROPRIETARY TO MOLEX INCORPORATED AND SHOULD NOT BE USED WITHOUT WRITTEN PERMISSION	



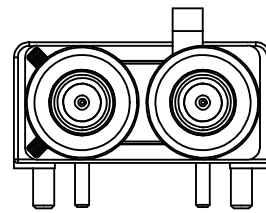
CODE-A



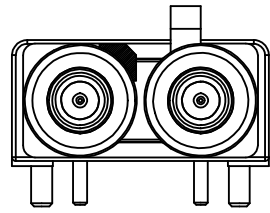
CODE-B



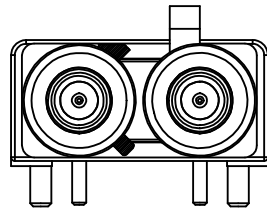
CODE-C



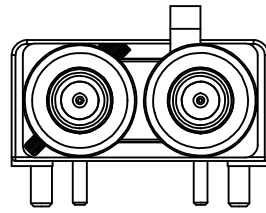
CODE-D



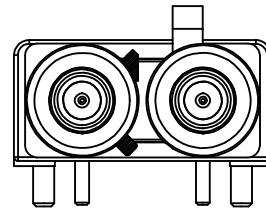
CODE-E



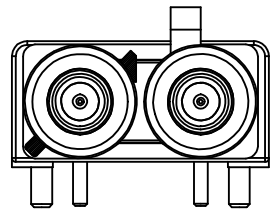
CODE-F



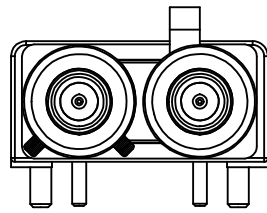
CODE-G



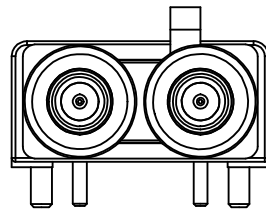
CODE-H



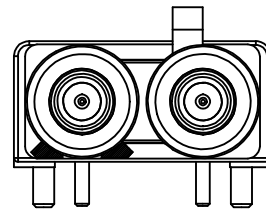
CODE-I



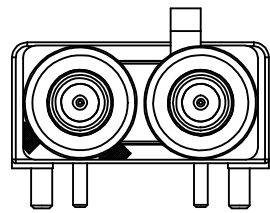
CODE-K



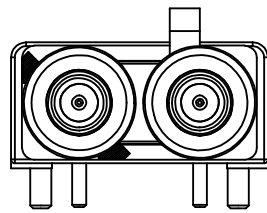
CODE-Z



CODE-L



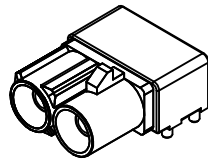
CODE-M



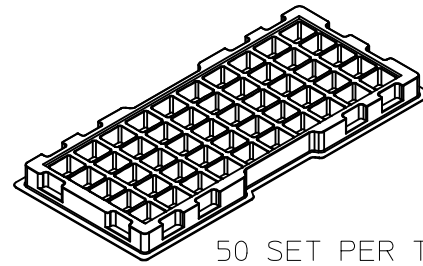
CODE-N

N	PASTEL GREEN	73403-5203
M	PASTEL ORANGE	73403-5202
L	CARMINE RED	73403-5201
Z	WATER BLUE	73403-5200
K	CURRY YELLOW	73403-5199
I	BEIGE	73403-5198
H	VIOLET	73403-5197
G	GRAY	73403-5196
F	BROWN	73403-5195
E	GREEN	73403-5194
D	BORDEAUXVIOLET	73403-5193
C	BLUE	73403-5192
B	CREAM WHITE	73403-5191
A	BLACK	73403-5190
KEYING CODE	COLOR	PART NO.

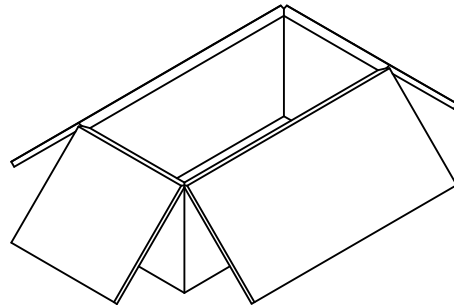
SEE SHEET 1 EC NO: URF2009-0646 2009/05/15 DRWNSCHOU 2009/05/19 CHKD: APPR:MHUANG 2009/05/19	QUALITY SYMBOLS ▽=0 ▽=0	GENERAL TOLERANCES (UNLESS SPECIFIED) <table border="1"> <tr> <td></td> <td>mm</td> <td>INCH</td> </tr> <tr> <td>4 PLACES</td> <td>± ---</td> <td>± ---</td> </tr> <tr> <td>3 PLACES</td> <td>± ---</td> <td>± ---</td> </tr> <tr> <td>2 PLACES</td> <td>± ---</td> <td>± ---</td> </tr> <tr> <td>1 PLACE</td> <td>± ---</td> <td>± ---</td> </tr> </table> ANGULAR ± 2 °		mm	INCH	4 PLACES	± ---	± ---	3 PLACES	± ---	± ---	2 PLACES	± ---	± ---	1 PLACE	± ---	± ---	DIMENSION STYLE MM/IN DRAWN BY DATE JOYCE 2008/12/24 CHECKED BY DATE KERRIE 2008/12/24 APPROVED BY DATE MISEN 2008/12/24	SCALE DESIGN UNITS METRIC THIRD ANGLE PROJECTION	TITLE SMB JACK, FAKRA DUAL R/A PCB 50 OHMS SMB-J/PCB
		mm	INCH																	
	4 PLACES	± ---	± ---																	
	3 PLACES	± ---	± ---																	
2 PLACES	± ---	± ---																		
1 PLACE	± ---	± ---																		
MATERIAL NO. SEE TABLE	DOCUMENT NO. SD-73403-519	SHEET NO. 2 OF 2	MOLEX INCORPORATED																	
DRAFT WHERE APPLICABLE MUST REMAIN WITHIN DIMENSIONS																				
THIS DRAWING CONTAINS INFORMATION THAT IS PROPRIETARY TO MOLEX INCORPORATED AND SHOULD NOT BE USED WITHOUT WRITTEN PERMISSION																				



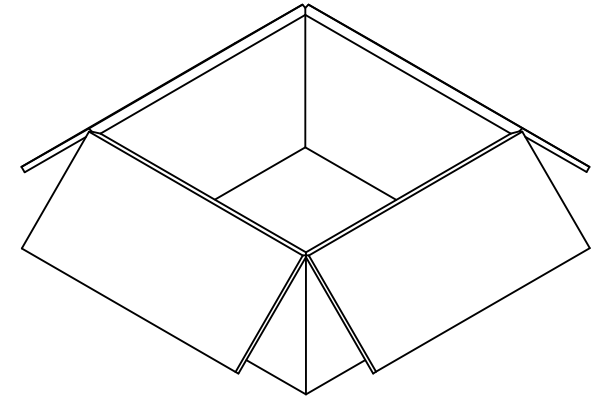
P/N 73403-519X



50 SET PER TRAY
TRAY P/N 89707-0343



400 SET PER INNER
CARTON BOX
P/N 96707-0001



800 SET PER OUTER
CARTON BOX
P/N 96708-0005

PDR0812149-D EC NO: URF2009-0646 DRWNSCHOU 2009/05/15 CHKD: 2009/05/19 APPR: MHUANG 2009/05/19	QUALITY SYMBOLS =0 =0	GENERAL TOLERANCES (UNLESS SPECIFIED)		DIMENSION STYLE MM/IN		SCALE	DESIGN UNITS METRIC	THIRD ANGLE PROJECTION																											
		<table border="1"> <tr> <th></th> <th>mm</th> <th>INCH</th> </tr> <tr> <td>4 PLACES</td> <td>± ---</td> <td>± ---</td> </tr> <tr> <td>3 PLACES</td> <td>± ---</td> <td>± ---</td> </tr> <tr> <td>2 PLACES</td> <td>± ---</td> <td>± ---</td> </tr> <tr> <td>1 PLACE</td> <td>± ---</td> <td>± ---</td> </tr> </table>		mm	INCH	4 PLACES	± ---	± ---	3 PLACES	± ---	± ---	2 PLACES	± ---	± ---	1 PLACE	± ---	± ---	<table border="1"> <tr> <th>DRAWN BY</th> <th>DATE</th> </tr> <tr> <td>JOYCE</td> <td>2009/04/17</td> </tr> <tr> <th>CHECKED BY</th> <th>DATE</th> </tr> <tr> <td>KERRIE</td> <td>2009/04/17</td> </tr> <tr> <th>APPROVED BY</th> <th>DATE</th> </tr> <tr> <td>MISEN</td> <td>2009/04/17</td> </tr> </table>	DRAWN BY	DATE	JOYCE	2009/04/17	CHECKED BY	DATE	KERRIE	2009/04/17	APPROVED BY	DATE	MISEN	2009/04/17	TITLE PACKAGING FOR 73403-519X				
		mm	INCH																																
	4 PLACES	± ---	± ---																																
3 PLACES	± ---	± ---																																	
2 PLACES	± ---	± ---																																	
1 PLACE	± ---	± ---																																	
DRAWN BY	DATE																																		
JOYCE	2009/04/17																																		
CHECKED BY	DATE																																		
KERRIE	2009/04/17																																		
APPROVED BY	DATE																																		
MISEN	2009/04/17																																		
	ANGULAR ± 2 °	MATERIAL NO. -----	MOLEX INCORPORATED		DOCUMENT NO. SD-73403-519-PKG	SHEET NO. 1 OF 1																													
DRAFT WHERE APPLICABLE MUST REMAIN WITHIN DIMENSIONS	THIS DRAWING CONTAINS INFORMATION THAT IS PROPRIETARY TO MOLEX INCORPORATED AND SHOULD NOT BE USED WITHOUT WRITTEN PERMISSION																																		