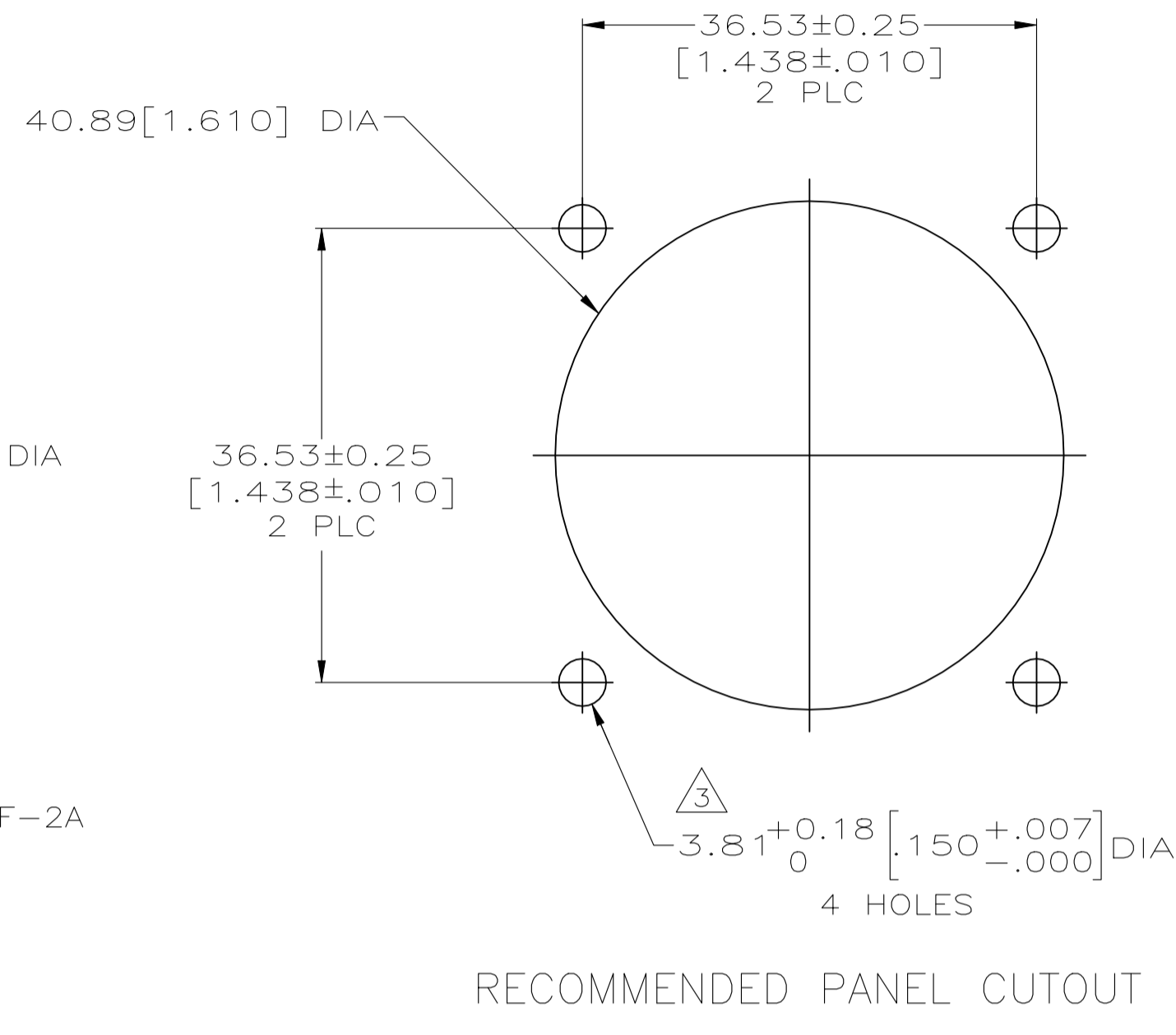
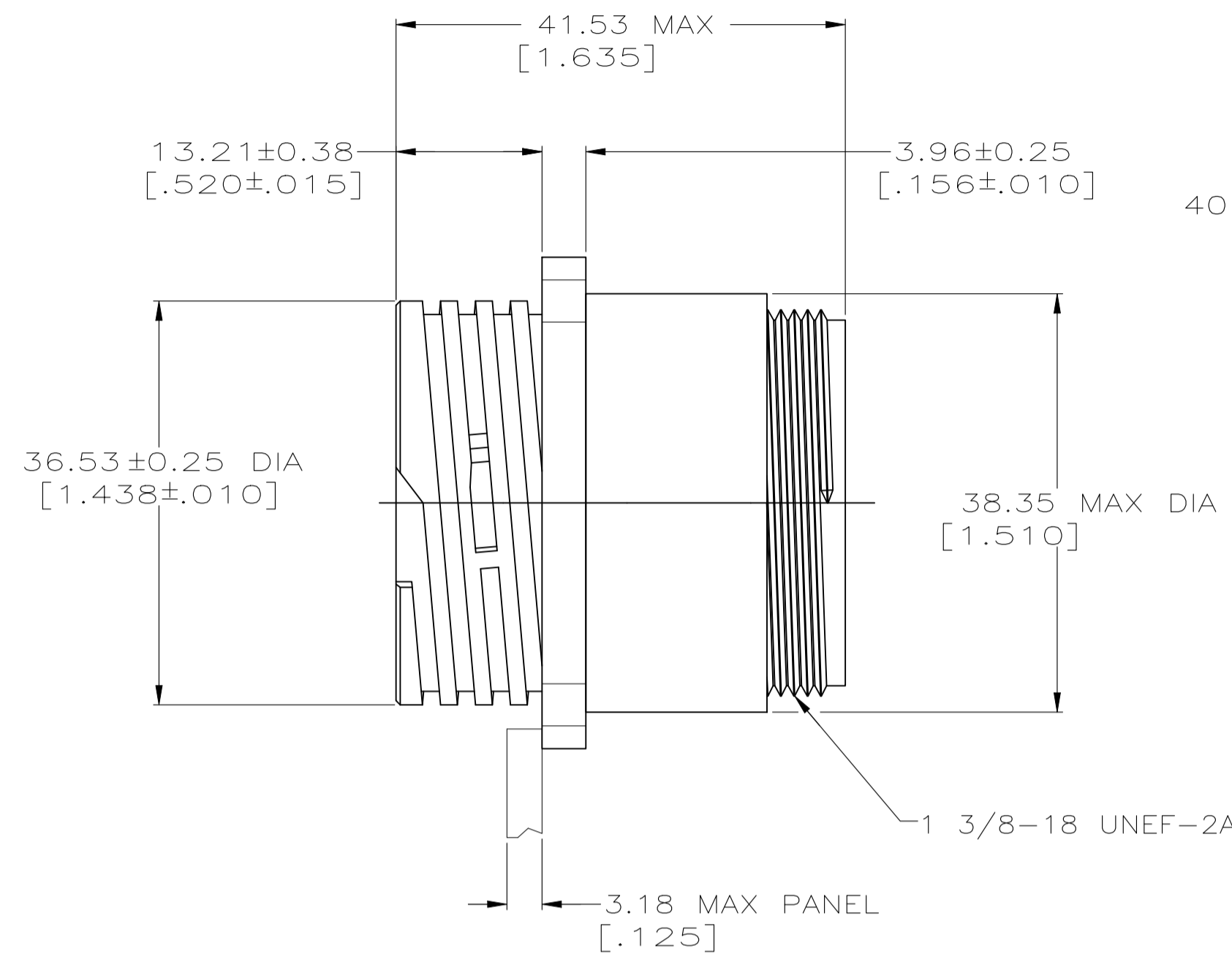
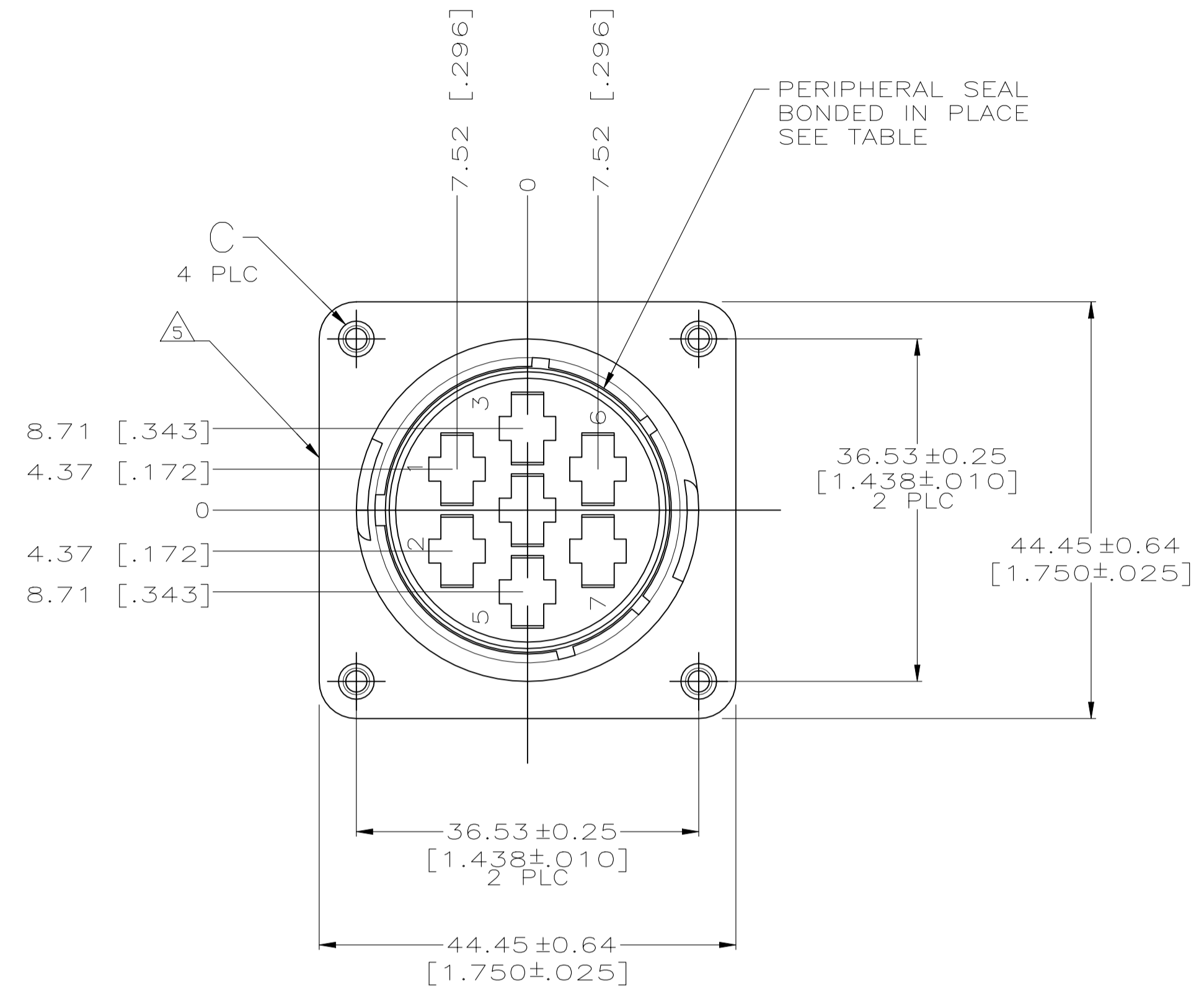
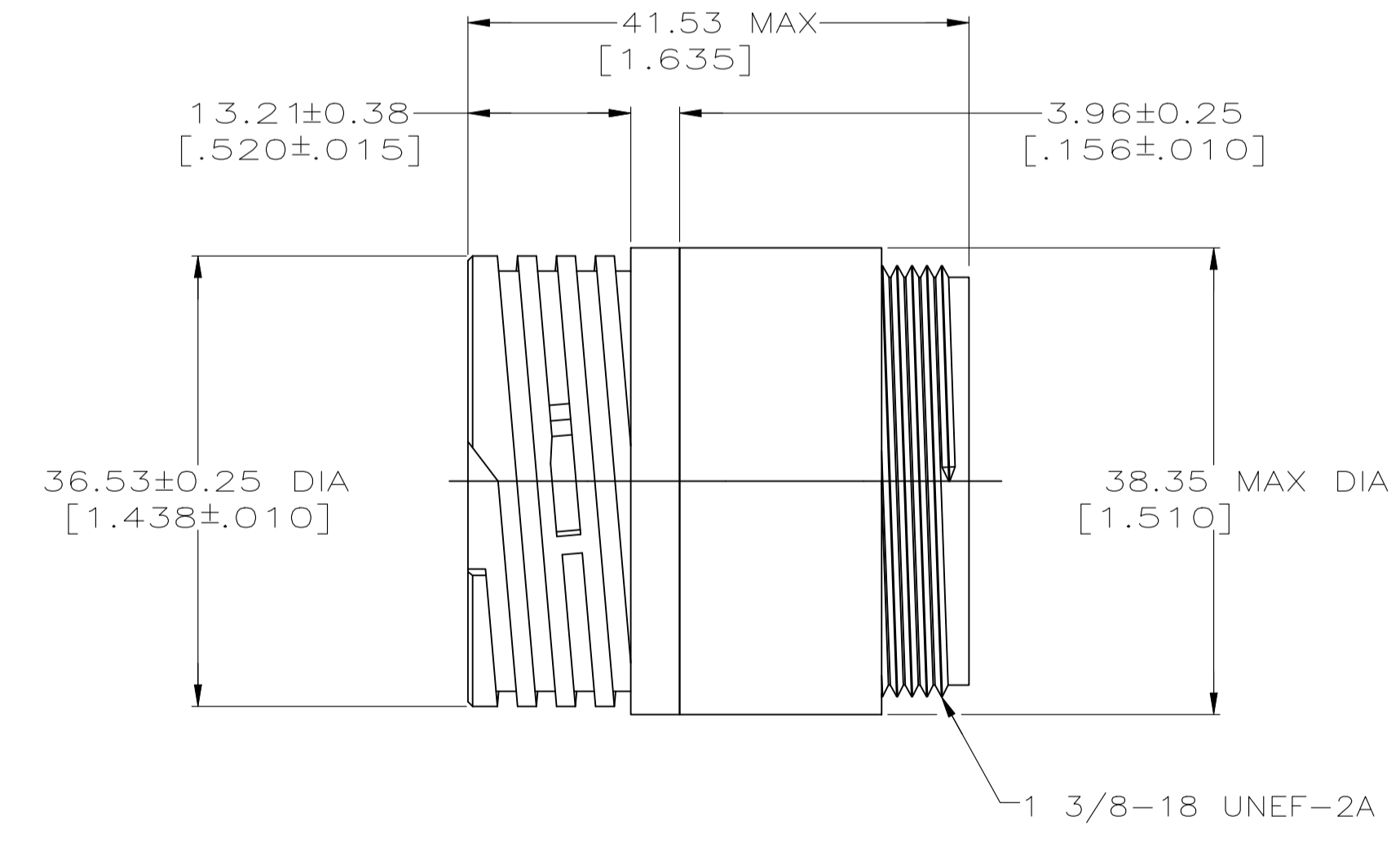
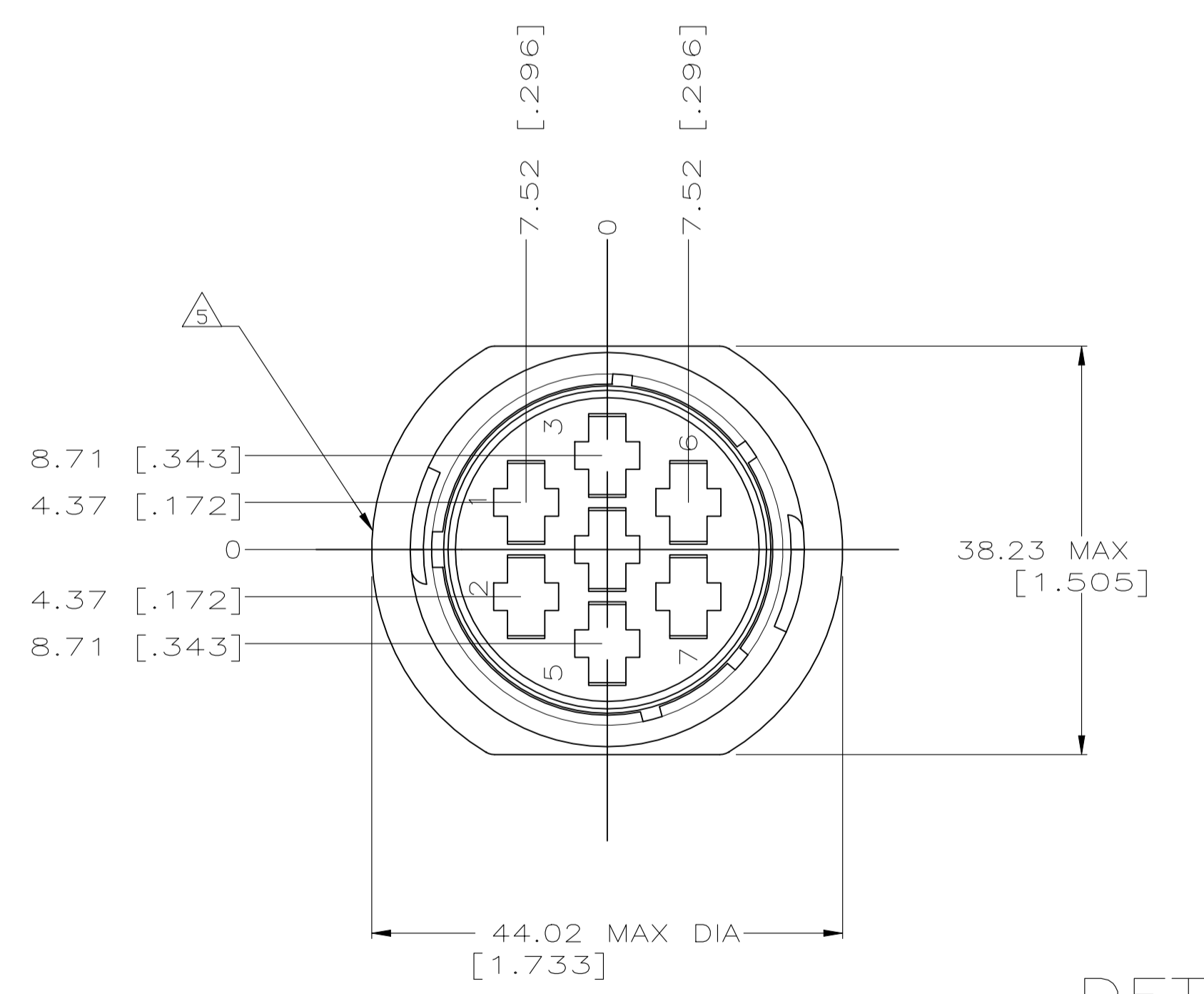


REVISIONS				
P	LTR	DESCRIPTION	DATE	APP'D
N		REVISED PER ECO-21-006944	12OCT2021	RK MZ



DETAIL A



DETAIL B

4-40 THREADED INSERTS	NO	A	206227-6
	YES	A	206227-5
	NO	B	206227-2
	NO	A	206227-1

1. CAVITY IDENTIFICATION ON FRONT AND REAR FACE.
 2. WILL ACCEPT SEVEN (7) TYPE XII SOCKET CONTACTS.
- ⚠ #4 FASTENER RECOMMENDED FOR MOUNTING.
- ⚠ OBSOLETE PARTS: OBSOLETE CIS STREAMLINING PER D.RENAUD/D.SINISI
- ⚠ TE LOGO AND PART NUMBER LOCATED ON ANY FLANGE EDGE

THIS DRAWING IS A CONTROLLED DOCUMENT.		DIN D. HARDY 05/31/94		TE Connectivity	
DIMENSIONS: mm[INCHES]		TOLERANCES UNLESS OTHERWISE SPECIFIED:		APPROVED: W.G. LENKER 06/08/94	
0 PLC ± -	1 PLC ± -	2 PLC ± 0.13 [.005]	3 PLC ± -	NAME: RECEPTACLE HOUSING, REVERSE SEX, SHELL SIZE 23, CPC	
4 PLC ± -	ANGLES ± -	APPLICATION SPEC: 108-10024		SIZE: A1	
MATERIAL: NYLON, BLACK	FINISH: -	WEIGHT: -	DRAWING NO: 00779	C=206227	RESTRICTED TO: -
CUSTOMER DRAWING			SCALE: 2:1	SHEET: 1 of 1	REV: N