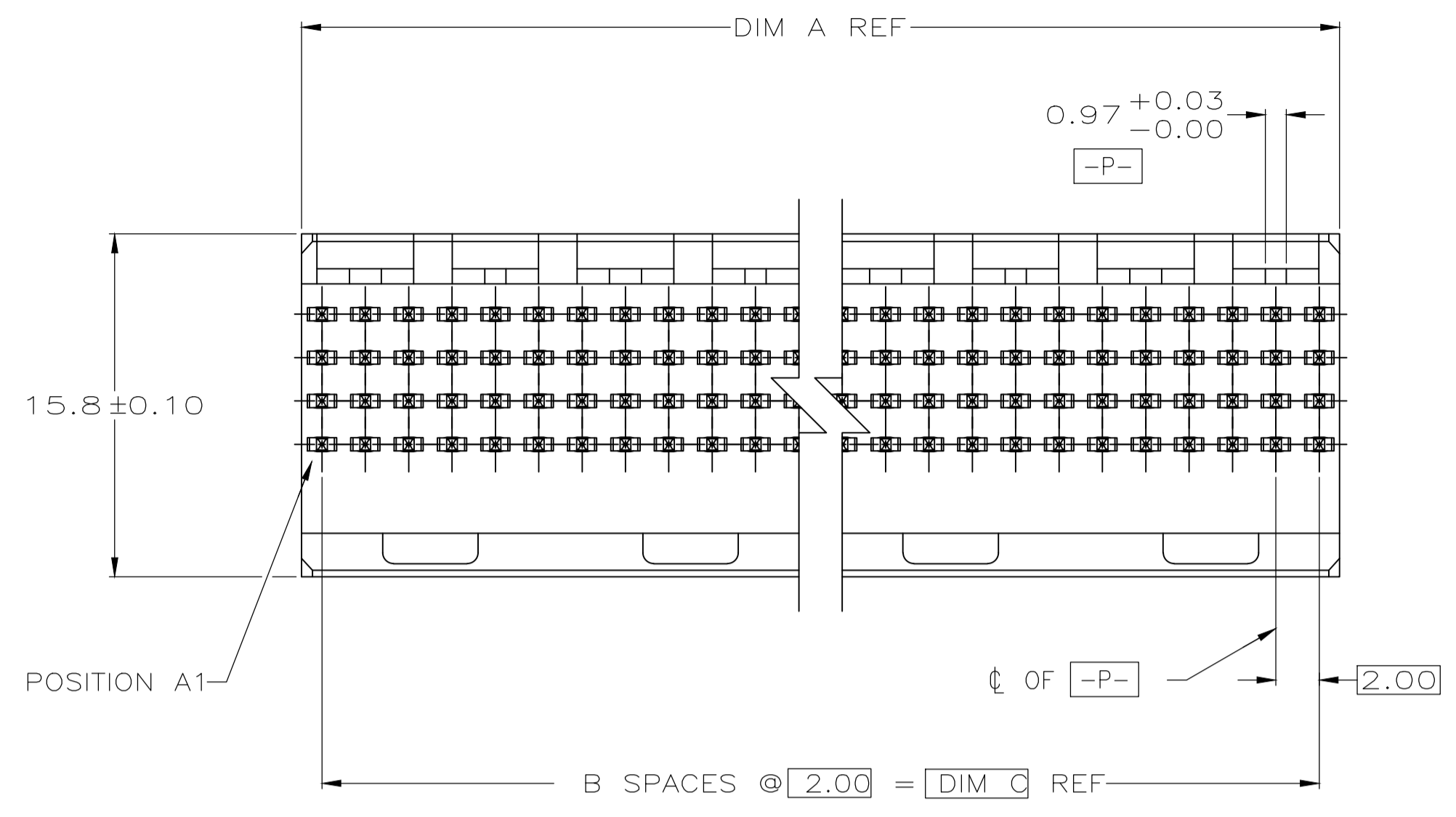
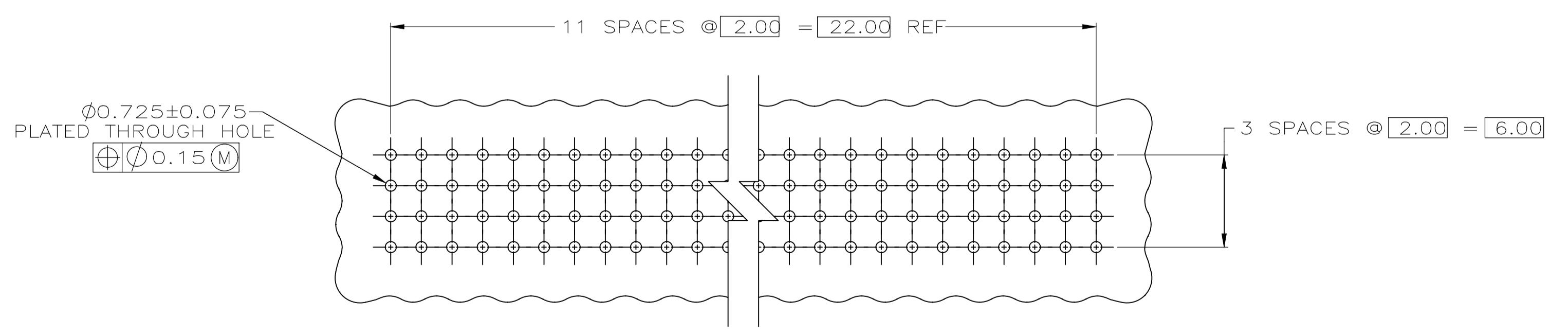
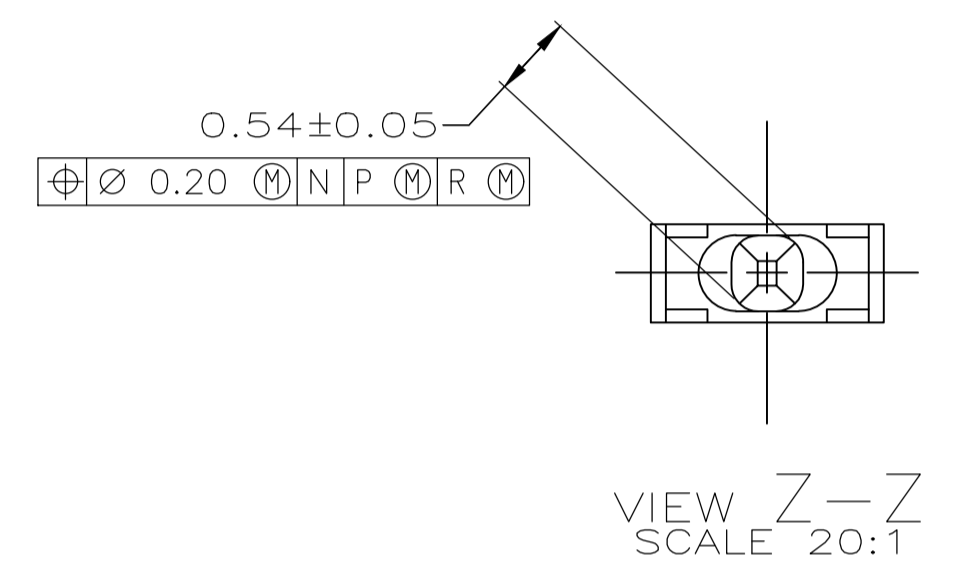
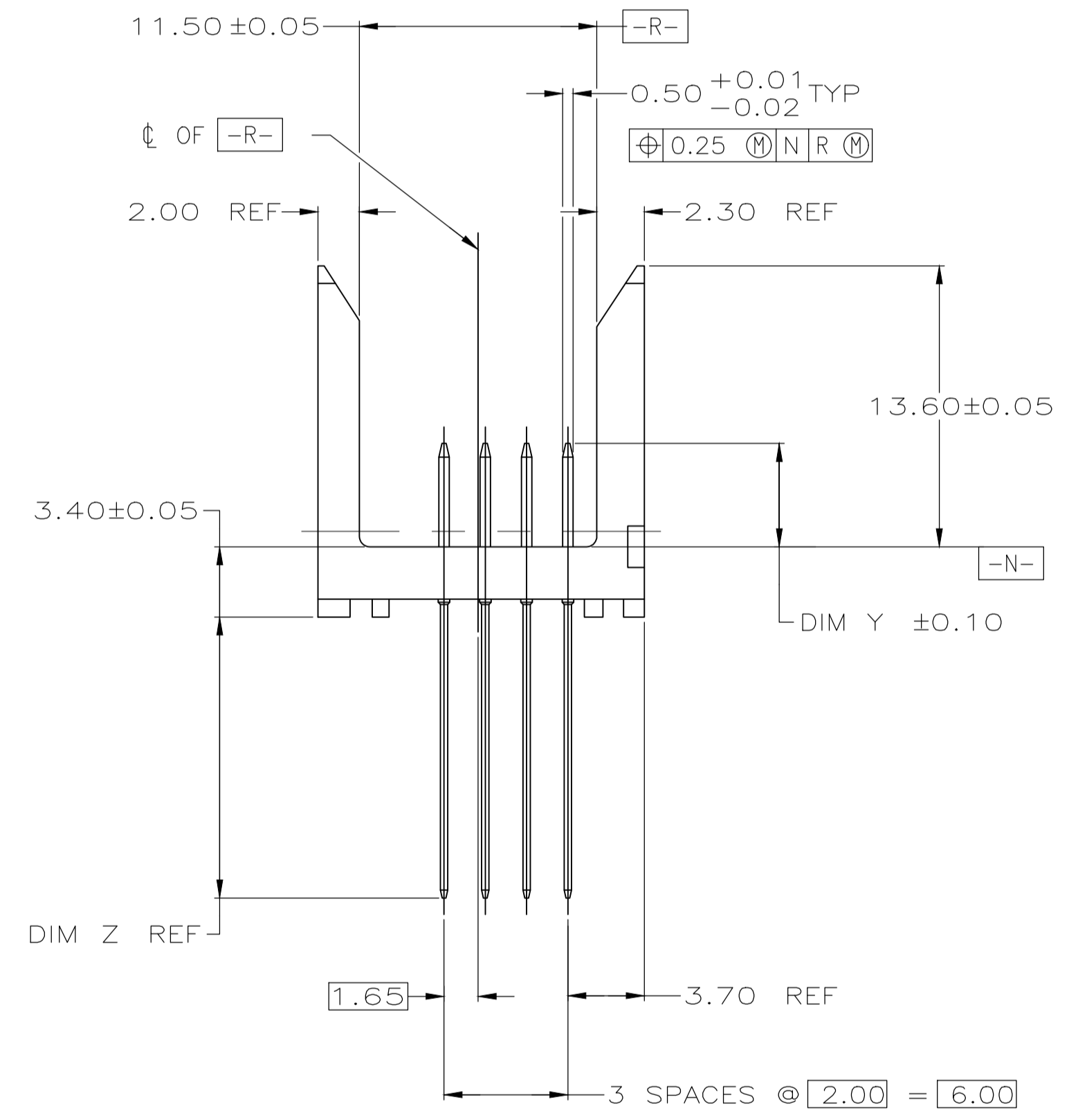
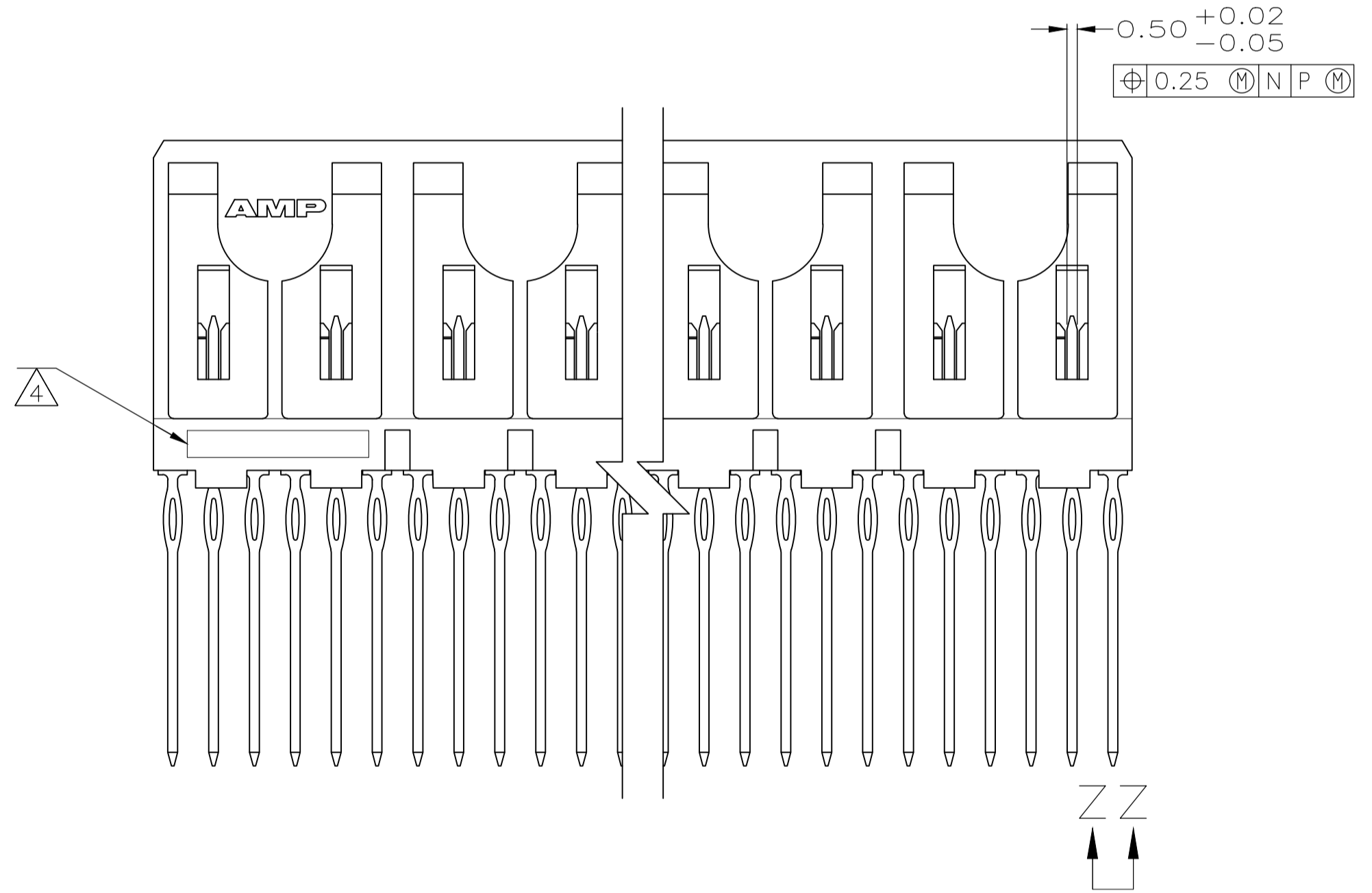


REVISIONS				
P	LTR	DESCRIPTION	DATE	BY
B		REVISED PER ECO-20-013368	23SEP2020	RZ HL



- △ HOUSING MATERIAL: LIQUID CRYSTAL POLYMER.  
COLOR: NATURAL.
- △ CONTACT MATERIAL: PHOSPHOR BRONZE.
- △ CONTACT FINISH:(B)  
UNDERPLATE (ENTIRE CONTACT):  
0.00127 MIN NICKEL PER SAE-AMS-QQ-N-290  
ON MATING SURFACES:  
CONFORMS TO ALL TESTING SPECIFIED FOR TELCORDIA  
UNCONTROLLED ENVIRONMENT.  
ON LEADS:  
0.0006 MIN MATTE TIN PER ASTM B 545 OVER UNDERPLATE.  
LUBRICATION (MIN MATING SURFACES):  
SURFACE CONDITIONER AFTER PLATING.
- △ PART MARKING, LOCATED APPROXIMATELY AS SHOWN.



RECOMMENDED CIRCUIT PATTERN  
PER IPC-D300 TYPE II, CLASS C  
(COMPONENT SIDE)

OBsolete	46.00	23	47.88	96	5223633-3
	22.00	11	23.88	48	5223633-2
	10.00	5	11.88	24	5223633-1
	C	B	A	NUMBER OF POSITIONS	PART NUMBER

THIS DRAWING IS A CONTROLLED DOCUMENT.

DIMENSIONS:	TOLERANCES UNLESS OTHERWISE SPECIFIED:	DWG: B.MCMMASTER 15DEC04	CHK: R.WERTZ 15DEC04	APVD: R.WERTZ 15DEC04	NAME: R. WERTZ
mm	0 PLC ± -	PRODUCT SPEC: ---			
	1 PLC ± -	APPLICATION SPEC: ---			
	2 PLC ± 0.13	SIZE: A1	CAGE CODE: 00779	DRAWING NO: 5223633	RESTRICTED TO: ---
	3 PLC ± -	WEIGHT: 0	CUSTOMER DRAWING		SCALE: 4:1
	4 PLC ± -	SHEET 1 OF 2			
	ANGLES ± -	REV B			

**STE** TE Connectivity

PIN ASSY Z-PACK 2mm FB  
SIGNAL VERTICAL 4R MULTI POS  
FEED THROUGH PRESS FIT LEADS

