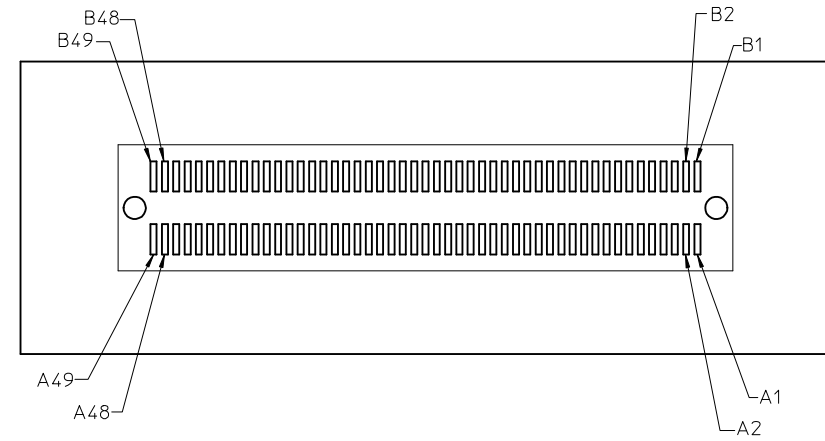
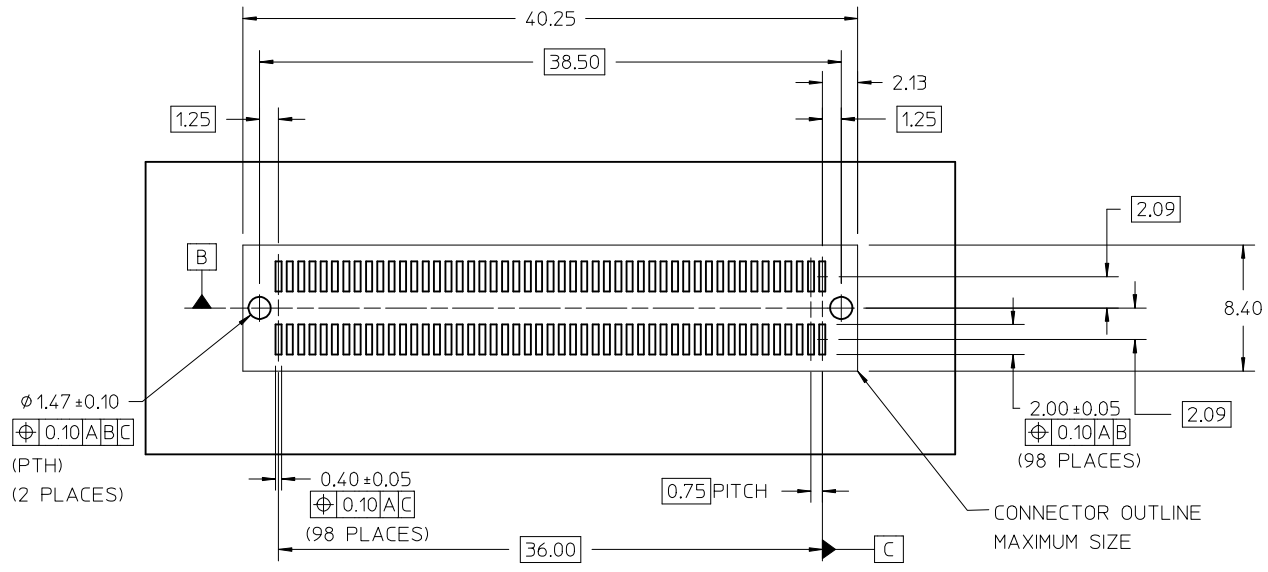


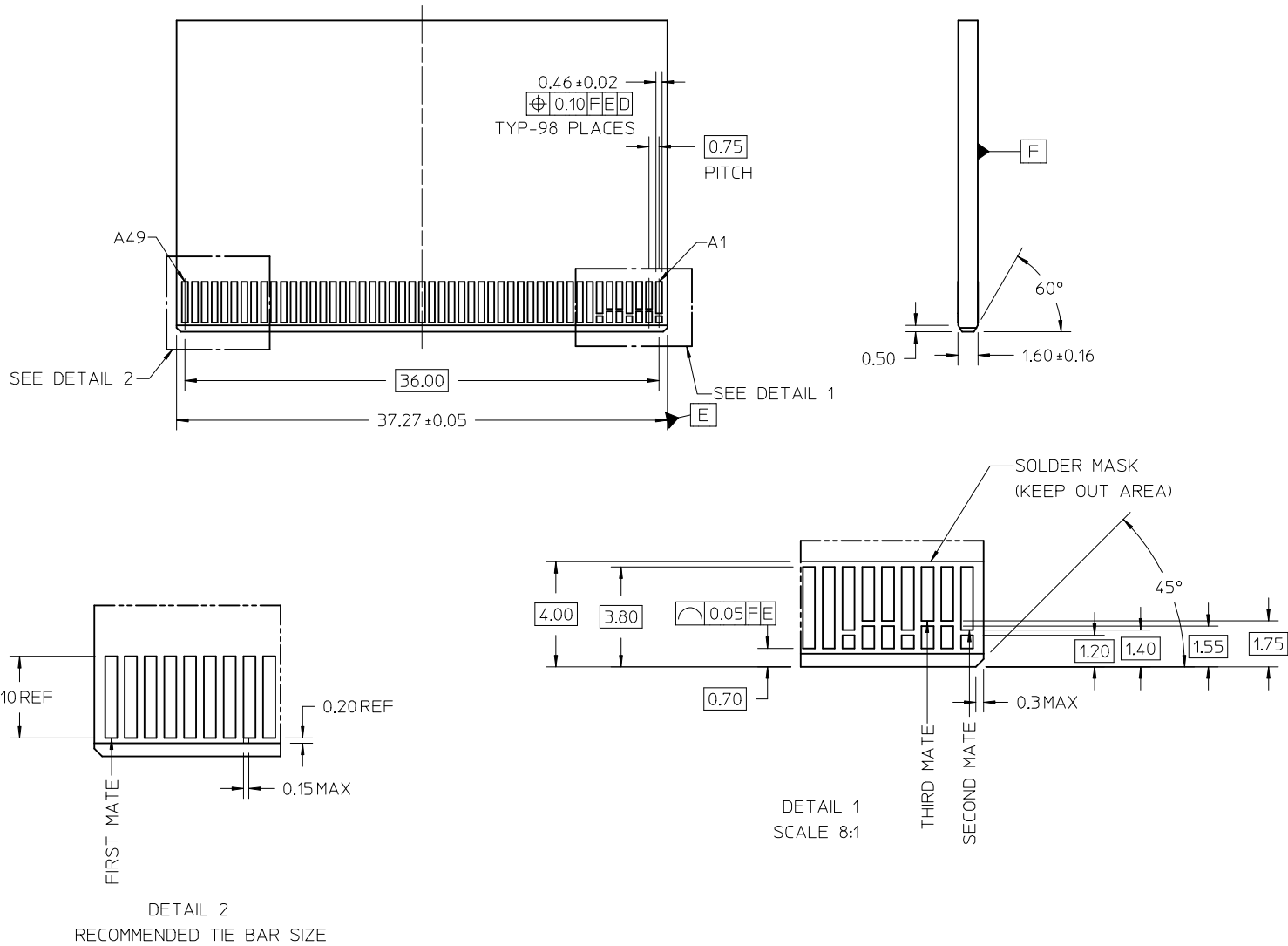
- NOTES:
- MATERIAL:
HOUSING - GLASS FILLED THERMOPLASTIC, 94-V0, BLACK
TERMINALS - HIGH PERFORMANCE COPPY ALLOY
 - FINISH:
CONTACT AREA: SELECT GOLD 0.76 μ m MIN
SOLDER TAIL: 2.54 μ m MIN TIN (MATTE)
UNDERPLATE: 1.27 μ m MIN NICKEL ALL OVER
 - PRODUCT SPECIFICATION: PS-151038-0001(TBD)
 - PACKAGING SPECIFICATION: PK-151038-0001.
 - APPLICATION SPECIFICATION: AS-151038-0001 (TBD)
 - MATING PC BOARD THICKNESS = 1.60±0.16MM OVER CONTACT PADS.
 - PRODUCT IS ELV AND RoHS COMPLIANT, LEVEL OF COMPLIANCE:6/6
ALL BANNED SUBSTANCES ARE REMOVED:
Pb (LEAD)
HEXAVALENT CHROMIUM (CrVI)
CADMIUM
MERCURY
POLYBROMINATED BIPHENYL (PBB)
POLYBROMINATED DIPHENYL ETHER (PBDE)
 - THIS PART CONFORMS TO CLASS B REQUIREMENTS OF COSMETIC SPEC PS-45499-002.

STANDOFF ADDED EC NO: S2015-0846 DRAWN: MHL LONG 2015/01/28 CHKD: CGTAN 2015/02/09 APPR: SHLENI 2015/02/09	DESCRIPTION	QUALITY SYMBOLS	GENERAL TOLERANCES (UNLESS SPECIFIED)		DIMENSION STYLE MM ONLY		SCALE 4:1	DESIGN UNITS METRIC	THIRD ANGLE PROJECTION
		▽=0	mm	INCH	DRAWN BY MHL LONG	DATE 2013/11/15	TITLE EDGE LINE+ 98CKTS .062" PCB 0.75MM PITCH SALES DRAWING molex DOCUMENT NO. SD-151038-0098 SHEET NO. 1 OF 3		
		▽=0	4 PLACES ± ---	± ---	CHECKED BY CGTAN	DATE 2014/05/22			
		▽=0	3 PLACES ± ---	± ---	APPROVED BY SHLENI	DATE 2014/05/30			
			2 PLACES ± 0.15	± ---	MATERIAL NO. 1510380098				
	1 PLACE ± 0.25	± ---	SIZE C						
		0 PLACE ± ---	± ---	DRAFT WHERE APPLICABLE MUST REMAIN WITHIN DIMENSIONS		THIS DRAWING CONTAINS INFORMATION THAT IS PROPRIETARY TO MOLEX INCORPORATED AND SHOULD NOT BE USED WITHOUT WRITTEN PERMISSION			



FOOT PRINT NOTES:
 1. DATUM -A- IS THE TOP OF THE PCB

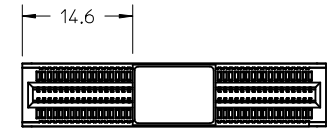
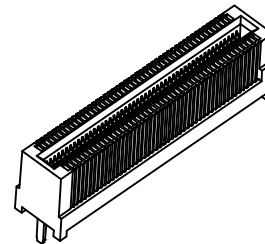
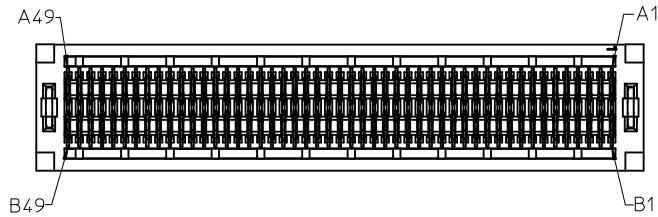
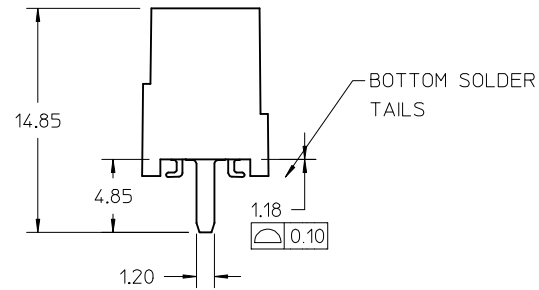
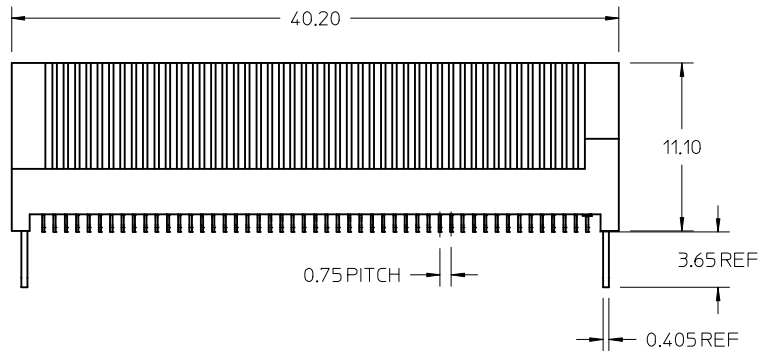
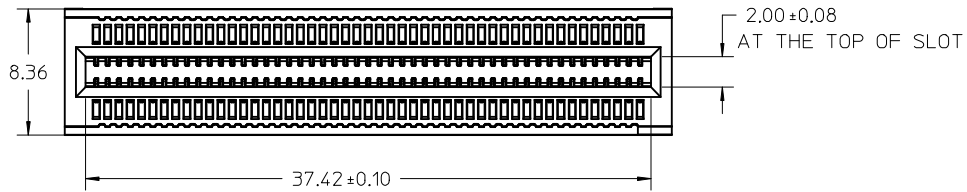
SEE SHEET 1 EC NO: S2015-0846 DRAWN: MHL IONG CHKD: CGTAN APPR: SHLENI	2015/01/28 2015/02/09 2015/02/09	QUALITY SYMBOLS ▽=0 ▽=0 ▽=0	GENERAL TOLERANCES (UNLESS SPECIFIED)		DIMENSION STYLE MM ONLY		SCALE 4:1	DESIGN UNITS METRIC	THIRD ANGLE PROJECTION	
	DESCRIPTION REV		mm INCH	DRAWN BY MHL IONG	DATE 2013/11/15	TITLE EDGE LINE+ 98CKTS .062" PCB 0.75MM PITCH SALES DRAWING				
			4 PLACES ± --- ± --- 3 PLACES ± --- ± --- 2 PLACES ± 0.15 ± --- 1 PLACE ± 0.25 ± --- 0 PLACE ± --- ± ---	CHECKED BY CGTAN	DATE 2014/05/22	MATERIAL NO. SEE SHEET 1				
			ANGULAR ±1/2°	APPROVED BY SHLENI	DATE 2014/05/30	DOCUMENT NO. SD-151038-0098				
			DRAFT WHERE APPLICABLE MUST REMAIN WITHIN DIMENSIONS	SIZE C		SHEET NO. 2 OF 3				



- NOTE:
1. THESE ARE GENERIC DETAILS THAT DESCRIBES THE CONFIGURATION OF VARIOUS PCB DESIGN ELEMENTS. THE CUSTOMER MUST DETERMINE WHERE AND WHEN TO USE EACH ELEMENT TO ACCOMMODATE THEIR SPECIFIC APPLICATION.
 2. CHAMFER ROUGHNESS NOT TO EXCEED 3.17µM.
 3. EDGE CARD CHAMFER NOT TO GO THROUGH GOLD PAD.

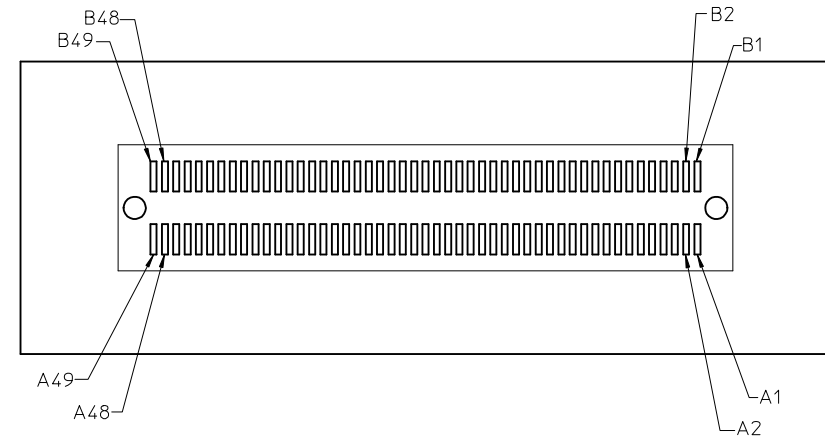
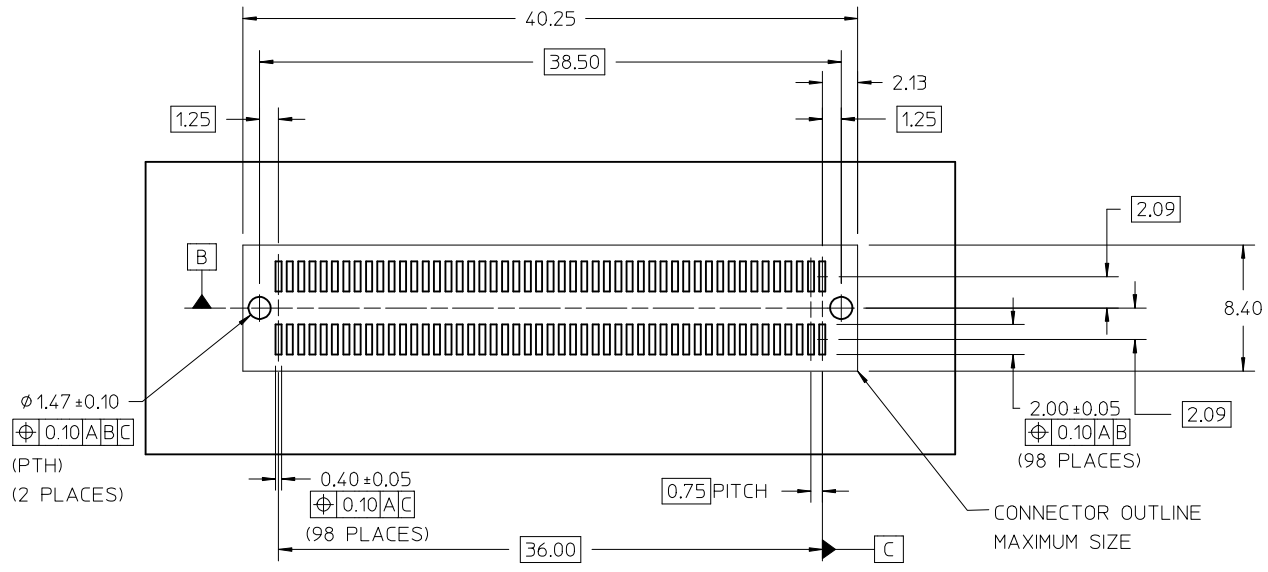
SEE SHEET 1 EC NO: S2015-0846 2015/01/28 DRAWN: MHLONG 2015/02/09 CHKD: CGTAN 2015/02/09 APPR: SHLENI 2015/02/09	QUALITY SYMBOLS ▽=0 ▽=0 ▽=0	GENERAL TOLERANCES (UNLESS SPECIFIED)		DIMENSION STYLE MM ONLY		SCALE 4:1	DESIGN UNITS METRIC	THIRD ANGLE PROJECTION	
		4 PLACES ± --- ± ---	3 PLACES ± --- ± ---	2 PLACES ± 0.15 ± ---	1 PLACE ± 0.25 ± ---	0 PLACE ± --- ± ---	DRAWN BY MHLONG		DATE 2013/11/15
ANGULAR ±1/2°		DRAFT WHERE APPLICABLE MUST REMAIN WITHIN DIMENSIONS		MATERIAL NO. SEE SHEET 1		DOCUMENT NO. SD-151038-0098		SHEET NO. 3 OF 3	
THIS DRAWING CONTAINS INFORMATION THAT IS PROPRIETARY TO MOLEX INCORPORATED AND SHOULD NOT BE USED WITHOUT WRITTEN PERMISSION									

EDGELINE+ 98CKTS
.062" PCB 0.75MM PITCH
SALES DRAWING
molex



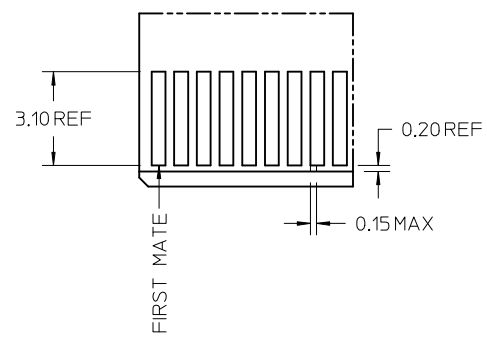
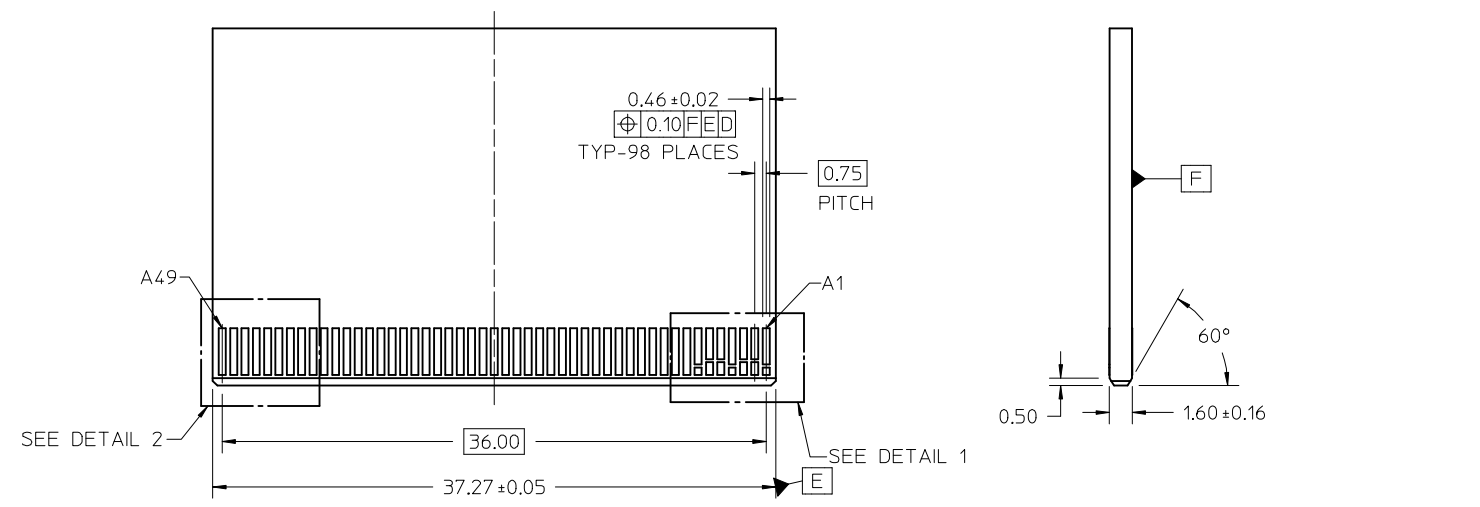
- NOTES:
- MATERIAL:
 - HOUSING - GLASS FILLED THERMOPLASTIC, 94-V0, BLACK
 - TERMINALS - HIGH PERFORMANCE COPPY ALLOY
 - FINISH:
 - CONTACT AREA: SELECT GOLD 0.76µm MIN
 - SOLDER TAIL: 2.54µm MIN TIN (MATTE)
 - UNDERPLATE: 1.27µm MIN NICKEL ALL OVER
 - PRODUCT SPECIFICATION: PS-151038-0001(TBD)
 - PACKAGING SPECIFICATION: PK-151038-0001.
 - APPLICATION SPECIFICATION: AS-151038-0001 (TBD)
 - MATING PC BOARD THICKNESS = 1.60±0.16MM OVER CONTACT PADS.
 - PRODUCT IS ELV AND RoHS COMPLIANT, LEVEL OF COMPLIANCE:6/6
 - ALL BANNED SUBSTANCES ARE REMOVED:
 - Pb (LEAD)
 - HEXAVALENT CHROMIUM (CrVI)
 - CADMIUM
 - MERCURY
 - POLYBROMINATED BIPHENYL (PBB)
 - POLYBROMINATED DIPHENYL ETHER (PBDE)
 - THIS PART CONFORMS TO CLASS B REQUIREMENTS OF COSMETIC SPEC PS-45499-002.

STANDOFF ADDED EC NO: S2015-0846 DRAWN: MHL LONG 2015/01/28 CHKD: CGTAN 2015/02/09 APPR: SHLENI 2015/02/09	DESCRIPTION	QUALITY SYMBOLS	GENERAL TOLERANCES (UNLESS SPECIFIED)		DIMENSION STYLE MM ONLY		SCALE 4:1	DESIGN UNITS METRIC	THIRD ANGLE PROJECTION	
		▽=0	mm	INCH	DRAWN BY	DATE	TITLE EDGE LINE+ 98CKTS .062" PCB 0.75MM PITCH SALES DRAWING			
		▽=0			MHL LONG	2013/11/15				
		▽=0			CHECKED BY	DATE	DOCUMENT NO. SD-151038-0098			
▽=0			CGTAN	2014/05/22						
		ANGULAR ±1/2°		APPROVED BY		DATE	SHEET NO. 1 OF 3			
		DRAFT WHERE APPLICABLE MUST REMAIN WITHIN DIMENSIONS		SHLENI		2014/05/30				
				MATERIAL NO. 1510380098		THIS DRAWING CONTAINS INFORMATION THAT IS PROPRIETARY TO MOLEX INCORPORATED AND SHOULD NOT BE USED WITHOUT WRITTEN PERMISSION				

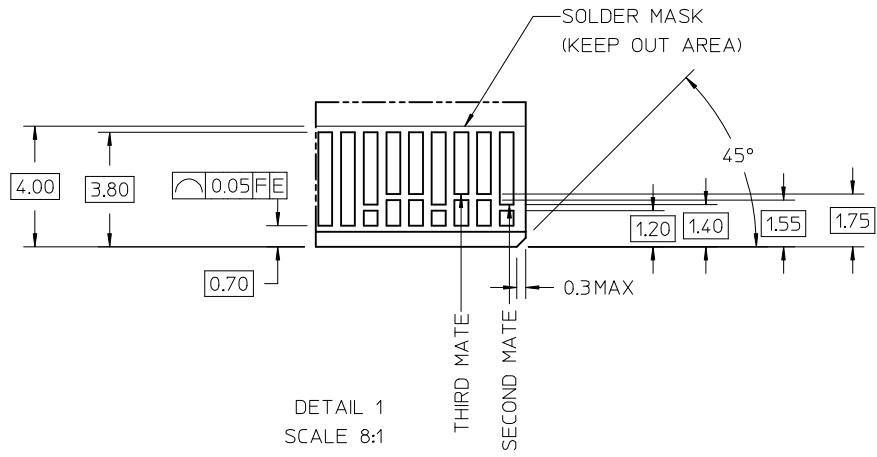


FOOT PRINT NOTES:
 1. DATUM -A- IS THE TOP OF THE PCB

SEE SHEET 1 EC NO: S2015-0846 DRAWN: MHL IONG CHKD: CGTAN APPR: SHLENI	2015/01/28 2015/02/09 2015/02/09	QUALITY SYMBOLS ▽=0 ▽=0 ▽=0	GENERAL TOLERANCES (UNLESS SPECIFIED)		DIMENSION STYLE MM ONLY		SCALE 4:1	DESIGN UNITS METRIC	THIRD ANGLE PROJECTION
			mm INCH	DRAWN BY MHL IONG	DATE 2013/11/15	TITLE EDGE LINE+ 98CKTS .062" PCB 0.75MM PITCH SALES DRAWING			
			4 PLACES ± --- ± --- 3 PLACES ± --- ± --- 2 PLACES ± 0.15 ± --- 1 PLACE ± 0.25 ± --- 0 PLACE ± --- ± ---	CHECKED BY CGTAN	DATE 2014/05/22	molex			
			ANGULAR ±1/2°	APPROVED BY SHLENI	DATE 2014/05/30	MATERIAL NO. SEE SHEET 1	DOCUMENT NO. SD-151038-0098	SHEET NO. 2 OF 3	
DRAFT WHERE APPLICABLE MUST REMAIN WITHIN DIMENSIONS			THIS DRAWING CONTAINS INFORMATION THAT IS PROPRIETARY TO MOLEX INCORPORATED AND SHOULD NOT BE USED WITHOUT WRITTEN PERMISSION						



DETAIL 2
RECOMMENDED TIE BAR SIZE



DETAIL 1
SCALE 8:1

NOTE:
 1. THESE ARE GENERIC DETAILS THAT DESCRIBES THE CONFIGURATION OF VARIOUS PCB DESIGN ELEMENTS. THE CUSTOMER MUST DETERMINE WHERE AND WHEN TO USE EACH ELEMENT TO ACCOMMODATE THEIR SPECIFIC APPLICATION.
 2. CHAMFER ROUGHNESS NOT TO EXCEED 3.17µM.
 3. EDGE CARD CHAMFER NOT TO GO THROUGH GOLD PAD.

SEE SHEET 1 EC NO: S2015-0846 DRAWN: MHL IONG CHKD: CGTAN APPR: SHLENI	2015/01/28 2015/02/09 2015/02/09	QUALITY SYMBOLS ∇=0 ∇=0 ∇=0	GENERAL TOLERANCES (UNLESS SPECIFIED) mm INCH 4 PLACES ± --- ± --- 3 PLACES ± --- ± --- 2 PLACES ± 0.15 ± --- 1 PLACE ± 0.25 ± --- 0 PLACE ± --- ± ---	DIMENSION STYLE MM ONLY DRAWN BY DATE MHL IONG 2013/11/15 CHECKED BY DATE CGTAN 2014/05/22 APPROVED BY DATE SHLENI 2014/05/30	SCALE 4:1 DESIGN UNITS METRIC THIRD ANGLE PROJECTION	TITLE EDGELINE+ 98CKTS .062" PCB 0.75MM PITCH SALES DRAWING molex	MATERIAL NO. SEE SHEET 1 DOCUMENT NO. SD-151038-0098 SHEET NO. 3 OF 3	
	SEE SHEET 1 EC NO: S2015-0846 DRAWN: MHL IONG CHKD: CGTAN APPR: SHLENI	2015/01/28 2015/02/09 2015/02/09	QUALITY SYMBOLS ∇=0 ∇=0 ∇=0	GENERAL TOLERANCES (UNLESS SPECIFIED) mm INCH 4 PLACES ± --- ± --- 3 PLACES ± --- ± --- 2 PLACES ± 0.15 ± --- 1 PLACE ± 0.25 ± --- 0 PLACE ± --- ± ---	DIMENSION STYLE MM ONLY DRAWN BY DATE MHL IONG 2013/11/15 CHECKED BY DATE CGTAN 2014/05/22 APPROVED BY DATE SHLENI 2014/05/30	SCALE 4:1 DESIGN UNITS METRIC THIRD ANGLE PROJECTION	TITLE EDGELINE+ 98CKTS .062" PCB 0.75MM PITCH SALES DRAWING molex	MATERIAL NO. SEE SHEET 1 DOCUMENT NO. SD-151038-0098 SHEET NO. 3 OF 3
	SEE SHEET 1 EC NO: S2015-0846 DRAWN: MHL IONG CHKD: CGTAN APPR: SHLENI	2015/01/28 2015/02/09 2015/02/09	QUALITY SYMBOLS ∇=0 ∇=0 ∇=0	GENERAL TOLERANCES (UNLESS SPECIFIED) mm INCH 4 PLACES ± --- ± --- 3 PLACES ± --- ± --- 2 PLACES ± 0.15 ± --- 1 PLACE ± 0.25 ± --- 0 PLACE ± --- ± ---	DIMENSION STYLE MM ONLY DRAWN BY DATE MHL IONG 2013/11/15 CHECKED BY DATE CGTAN 2014/05/22 APPROVED BY DATE SHLENI 2014/05/30	SCALE 4:1 DESIGN UNITS METRIC THIRD ANGLE PROJECTION	TITLE EDGELINE+ 98CKTS .062" PCB 0.75MM PITCH SALES DRAWING molex	MATERIAL NO. SEE SHEET 1 DOCUMENT NO. SD-151038-0098 SHEET NO. 3 OF 3
	SEE SHEET 1 EC NO: S2015-0846 DRAWN: MHL IONG CHKD: CGTAN APPR: SHLENI	2015/01/28 2015/02/09 2015/02/09	QUALITY SYMBOLS ∇=0 ∇=0 ∇=0	GENERAL TOLERANCES (UNLESS SPECIFIED) mm INCH 4 PLACES ± --- ± --- 3 PLACES ± --- ± --- 2 PLACES ± 0.15 ± --- 1 PLACE ± 0.25 ± --- 0 PLACE ± --- ± ---	DIMENSION STYLE MM ONLY DRAWN BY DATE MHL IONG 2013/11/15 CHECKED BY DATE CGTAN 2014/05/22 APPROVED BY DATE SHLENI 2014/05/30	SCALE 4:1 DESIGN UNITS METRIC THIRD ANGLE PROJECTION	TITLE EDGELINE+ 98CKTS .062" PCB 0.75MM PITCH SALES DRAWING molex	MATERIAL NO. SEE SHEET 1 DOCUMENT NO. SD-151038-0098 SHEET NO. 3 OF 3
	SEE SHEET 1 EC NO: S2015-0846 DRAWN: MHL IONG CHKD: CGTAN APPR: SHLENI	2015/01/28 2015/02/09 2015/02/09	QUALITY SYMBOLS ∇=0 ∇=0 ∇=0	GENERAL TOLERANCES (UNLESS SPECIFIED) mm INCH 4 PLACES ± --- ± --- 3 PLACES ± --- ± --- 2 PLACES ± 0.15 ± --- 1 PLACE ± 0.25 ± --- 0 PLACE ± --- ± ---	DIMENSION STYLE MM ONLY DRAWN BY DATE MHL IONG 2013/11/15 CHECKED BY DATE CGTAN 2014/05/22 APPROVED BY DATE SHLENI 2014/05/30	SCALE 4:1 DESIGN UNITS METRIC THIRD ANGLE PROJECTION	TITLE EDGELINE+ 98CKTS .062" PCB 0.75MM PITCH SALES DRAWING molex	MATERIAL NO. SEE SHEET 1 DOCUMENT NO. SD-151038-0098 SHEET NO. 3 OF 3