

6

5

4

3

2

1

E

E

D

D

C

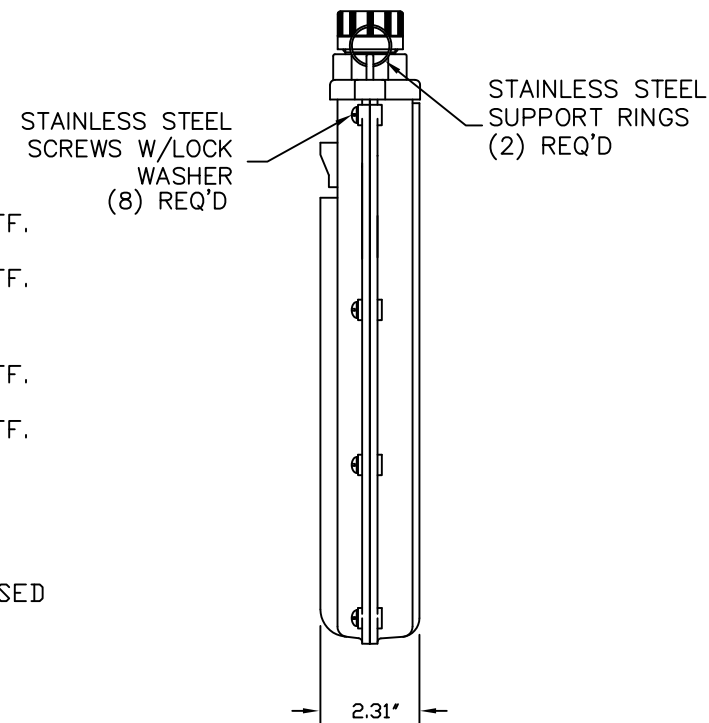
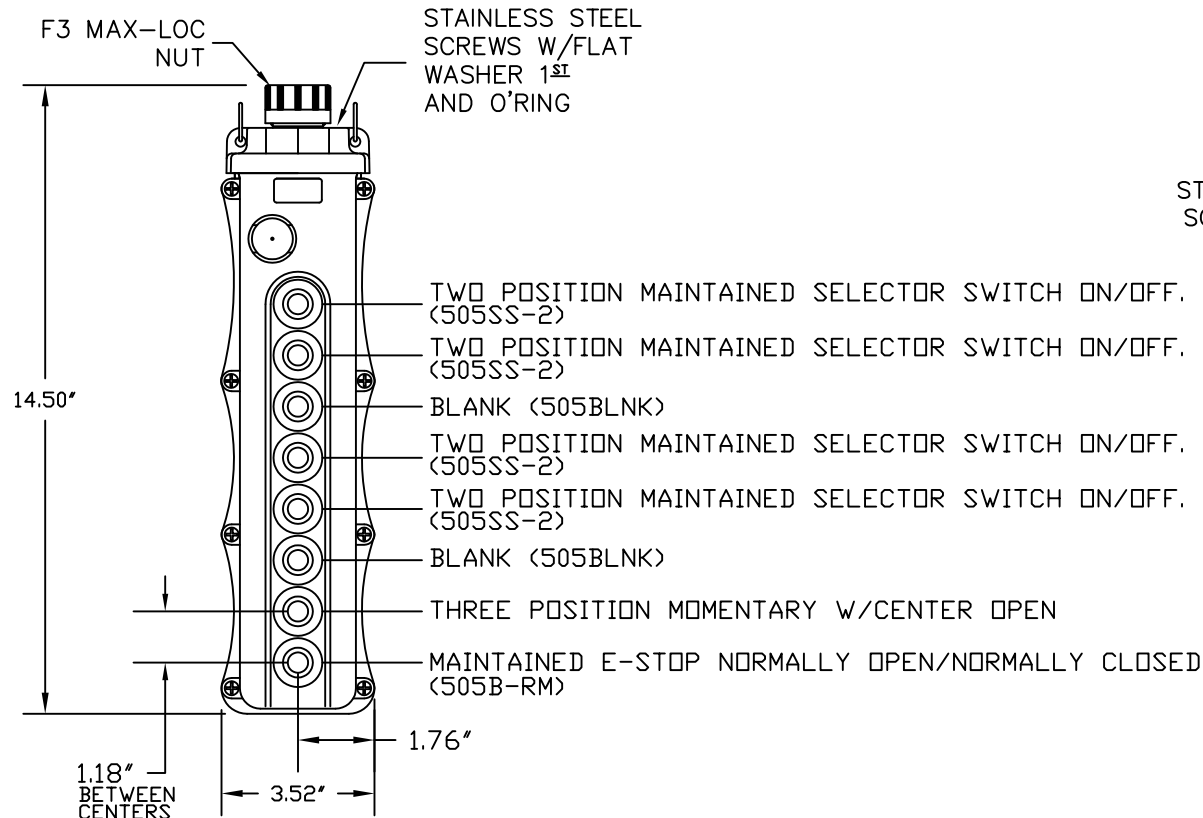
C

B

B

A

A



NOTES:

1. INSTALLATION INSTRUCTIONS, BUTTON ID. LABELS. ARE PACK WITH THE PART.
2. ALL BUTTONS ARE HIGH AMBIENT, CHEMICALLY RESISTANT MATERIAL - COLOR BLACK

| | | | | | | | | | |
|--|-------------------------------|--|------------------|---|---------------------|---|-------------------|------------------------|--|
| RELEASE DRAWING EC NO: WNA2011-0020 DRWN: TVICKERS 2010/07/12 CHKD: KA APPR: DTITUS 2010/07/28 | QUALITY SYMBOLS ▽=0 ∇=0 | GENERAL TOLERANCES (UNLESS SPECIFIED) | | DIMENSION STYLE IN/MM | | SCALE NTS | DESIGN UNITS INCH | THIRD ANGLE PROJECTION | |
| | | | mm | INCH | DRAWN BY DATE | TITLE | | | |
| | | 4 PLACES | ±--- | ±--- | TVICKERS 2010/07/12 | 5058 PENDANT W/(4)(505SS-2) 3 POS MOM & E-STOP | | | |
| | | 3 PLACES | ±--- | ±.005 | CHECKED BY DATE | | | | |
| 2 PLACES | ±0.13 | ±.010 | KA 2010/07/12 | MOLEX INCORPORATED | | | | | |
| 1 PLACE | ±0.25 | ±.020 | APPROVED BY DATE | | | | | | |
| ANGULAR ±.5° | | DRAFT WHERE APPLICABLE MUST REMAIN WITHIN DIMENSIONS | | MATERIAL NO. 1301260328 | | DOCUMENT NO. SD-130126-043 | | SHEET NO. 1 OF 1 | |
| A | REV | SIZE A | | THIS DRAWING CONTAINS INFORMATION THAT IS PROPRIETARY TO MOLEX INCORPORATED AND SHOULD NOT BE USED WITHOUT WRITTEN PERMISSION | | | | | |

6

5

4

3

2

1