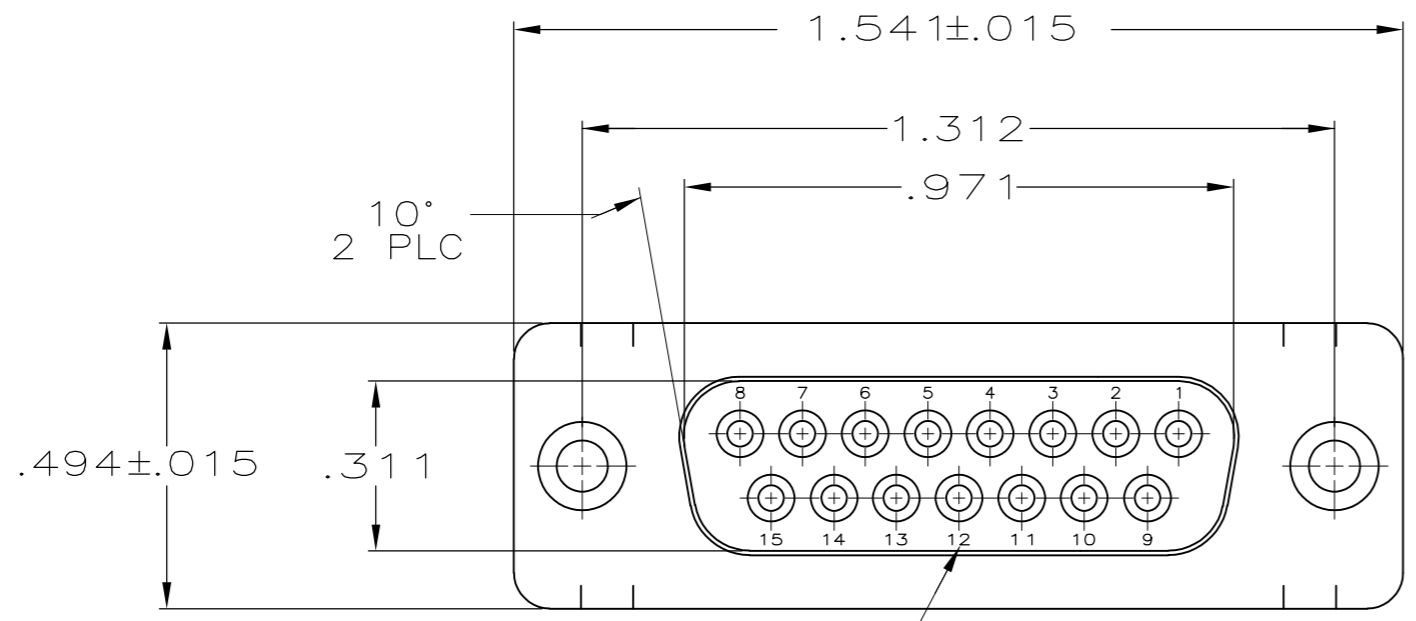


THIS DRAWING IS UNPUBLISHED. RELEASED FOR PUBLICATION  
 © COPYRIGHT BY TYCO ELECTRONICS CORPORATION. ALL RIGHTS RESERVED.

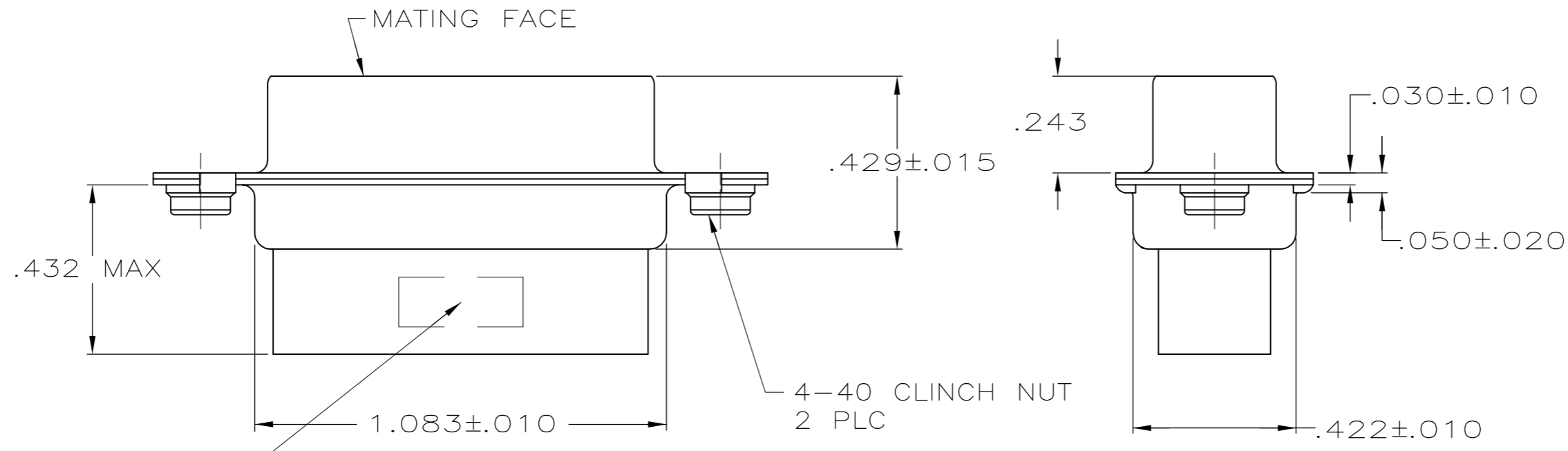
LOC		DIST		REVISIONS			
P	LTR	DESCRIPTION	DATE	DWN	APVD		
GP	00						
	01	REVISED PER ECO-07-007540	21JUN07	JDP	CWR		



RAISED CAVITY IDENTIFICATION

1. CONNECTOR ACCEPTS SIZE 20 DF SOCKET CONTACTS, RETENTION TINES ARE AN INTEGRAL PART OF INSERT.  
 2. MOLDED PARTS: FLAME RETARDANT 94V-0 RATED THERMOPLASTIC; BLACK.

3. SHELLS: STEEL PER ASTM A109.  
 4. .000200 MIN TIN PLATE OVER .000100 MIN COPPER UNDERPLATE.



MANUFACTURER'S LOGO, PART NO. & DATE CODE, INK STAMPED IN AREA INDICATED, ON FAR SIDE

1658644-1  
 PART NO.

THIS DRAWING IS A CONTROLLED DOCUMENT.		DWN J.REITZEL 30JUL03	Tyco Electronics Corporation Harrisburg, PA 17105-3608	
DIMENSIONS: INCHES		CHK S.BOLASH 30JUL03	NAME RECEPTACLE CONNECTOR, SIZE 2, 15 POSN, WITH CLINCH NUTS, AMPLIMITE HDP	
TOLERANCES UNLESS OTHERWISE SPECIFIED:		APVD M.WALMSLEY 30JUL03	PRODUCT SPEC 108-40005	
0 PLC ± -		APPLICATION SPEC 114-40030		
1 PLC ± -		SIZE A2 CAGE CODE 00779 DRAWING NO. C=1658644		
2 PLC ± -		WEIGHT -		
3 PLC ± .005		CUSTOMER DRAWING		
4 PLC ± -		SCALE 4:1 SHEET 1 of 1 REV 01		
ANGLES ± 2°				
MATERIAL 2 3		FINISH 4		