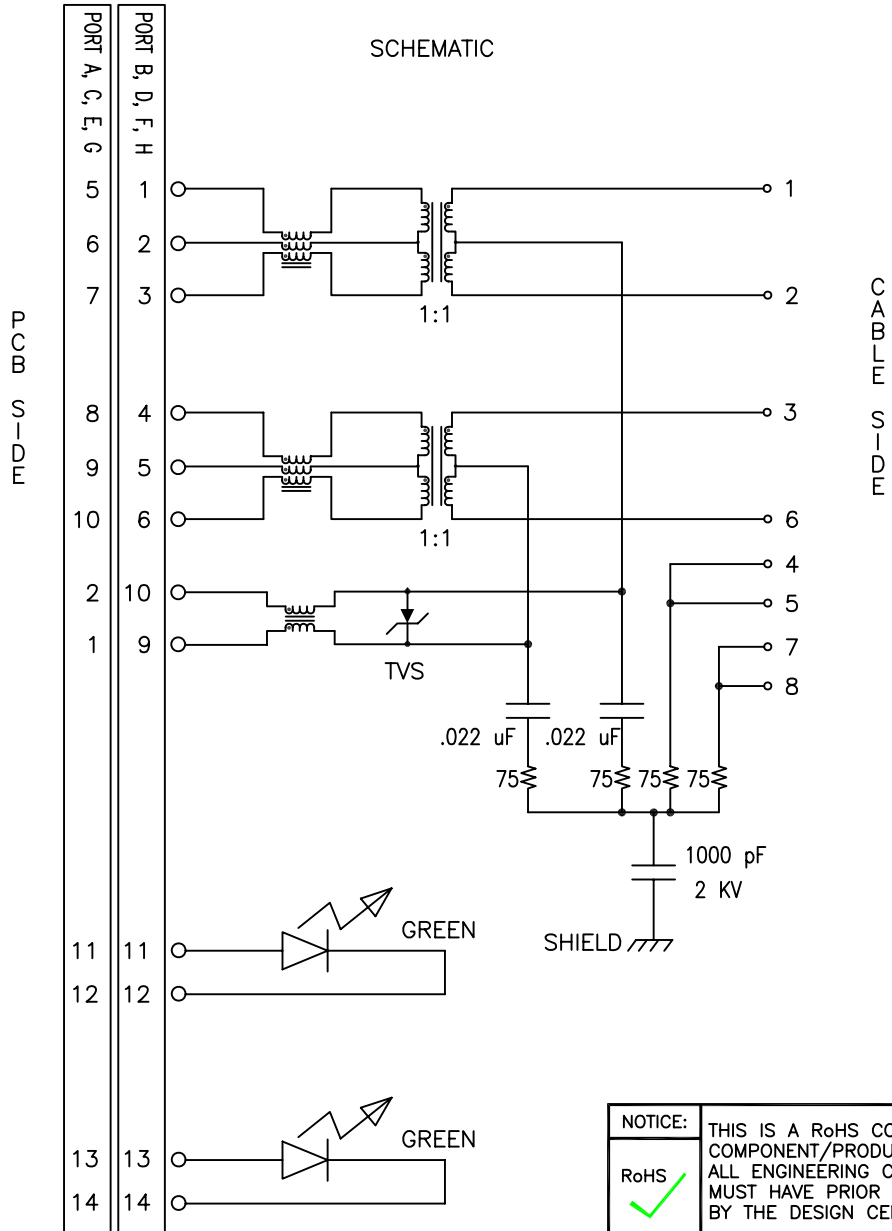


JG0-0051NL

NOTICE: THE INFORMATION AND DESIGN CONTAINED HEREIN IS THE PROPERTY OF PULSE WHO RESERVES ALL RIGHTS THERETO.

SCHEMATIC



ELECTRICAL CHARACTERISTICS AT +25°C UNLESS OTHER SPECIFIED (FOR REFERENCE ONLY. USED FOR CUSTOMER INFORMATION.)

PARAMETER	SPECIFICATIONS		
	100 KHz	1-125 MHz	
INSERTION LOSS	100 KHz	1-125 MHz	
	-1.2 dB MAX	-0.2-0.002*f ^{1.4} dB MAX	
RETURN LOSS (Z _{out} = 100 OHM ±25%)	.1-30 MHz	30-60 MHz	60-80 MHz
	-16 dB MIN	-10+20*LOG ₁₀ (f/60 MHz) dB MIN	-10 dB MIN
INDUCTANCE (OCL) (MEDIA SIDE, 0°C-70°C)	350 uH MIN (MEASURED AT 100 KHz, 100 mVRMS AND WITH 8 mA DC BIAS)		
CROSSTALK, ADJACENT CHANNELS	1 MHz	10-100 MHz	
	-50 dB MIN	-55+22*LOG ₁₀ (f/10) dB MIN	
COMMON MODE REJECTION RATIO	2 MHz	30-200 MHz	
	-50 dB MIN	-15+20*LOG ₁₀ (f/200) dB MIN	
INPUT - OUTPUT ISOLATION	1500 VRMS MIN @ 60 SECONDS		

NOTE: f IS FREQUENCY IN MHz.

EMMITTED COLOR	GREEN
WAVELENGTH (nm)	565 nM
BRIGHTNESS (mCD)	8 TO 12 TYP. @ 20mA
VIEWING ANGLE	100°
POWER DISSIPATION (Pd)	68 mW MAX
DC FORWARD CURRENT	25 mA MAX
REVERSE VOLTAGE (Vr)	5.0 V MAX

NOTICE: THIS IS A RoHS COMPLIANT COMPONENT/PRODUCT. ALL ENGINEERING CHANGES MUST HAVE PRIOR APPROVAL BY THE DESIGN CENTER.

RoHS

UNLESS OTHERWISE SPECIFIED, ALL DIMENSIONS ARE IN INCHES TOLERANCES ARE:

DECIMALS .XX ±.01 ANGLES ± 1°
.XXX ±.005

DO NOT SCALE DRAWING

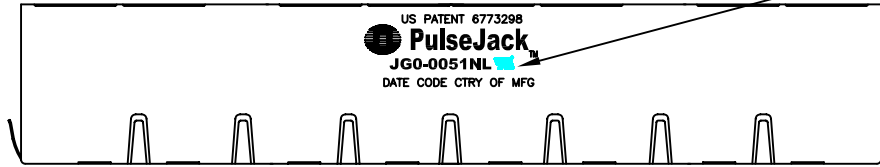
SIZE	CAGE CODE	DWG. NO.	REV.
B01961		JG0-0051NL	X1
SCALE NONE	CADD FILE	JG0-0051NL-1	SHEET 1 OF 4

JGO-0051NL

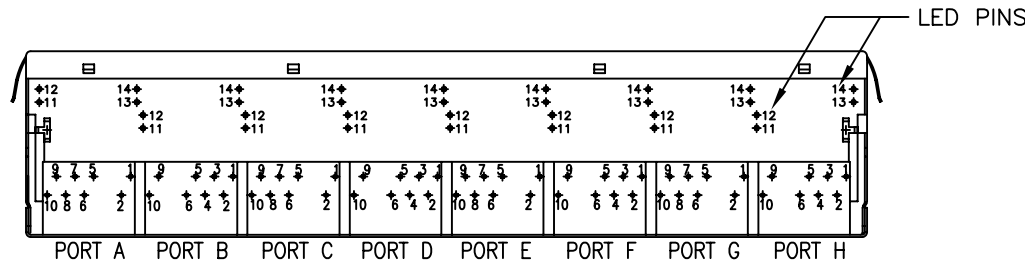
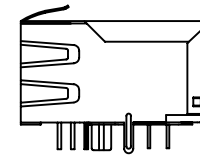
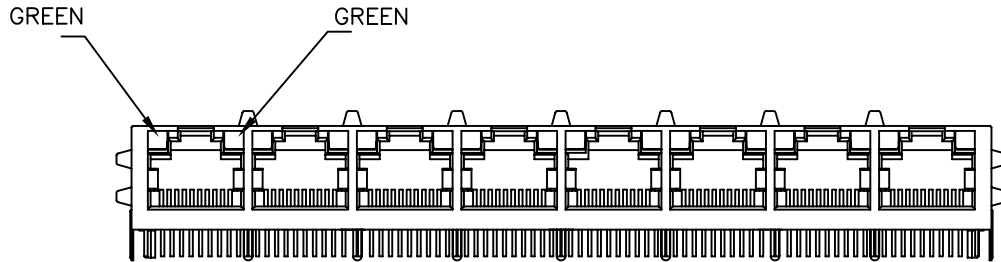
NOTICE: THE INFORMATION AND DESIGN CONTAINED HEREIN IS THE PROPERTY OF PULSE WHO RESERVES ALL RIGHTS THERETO.

FINAL OUTLINE NOTE:
CHECK DIMENSIONS PER PACKAGE SPECIFICATION ITEM 15.

MARK PART WITH "UL MARK"
PER PROCEDURE ITEM 22.
MARK POSITION IS OPTIONAL
PREFERRED LOCATION IS
TOP OF THE PART.



FINAL OUTLINE



PIN ASSIGNMENT
(BOTTOM VIEW)

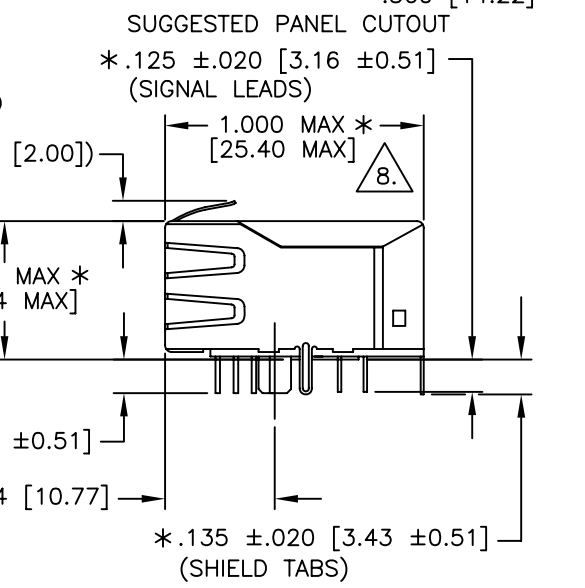
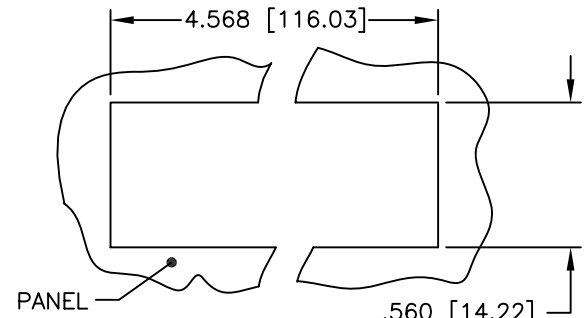
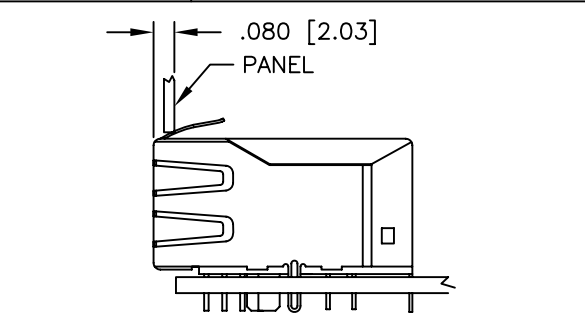
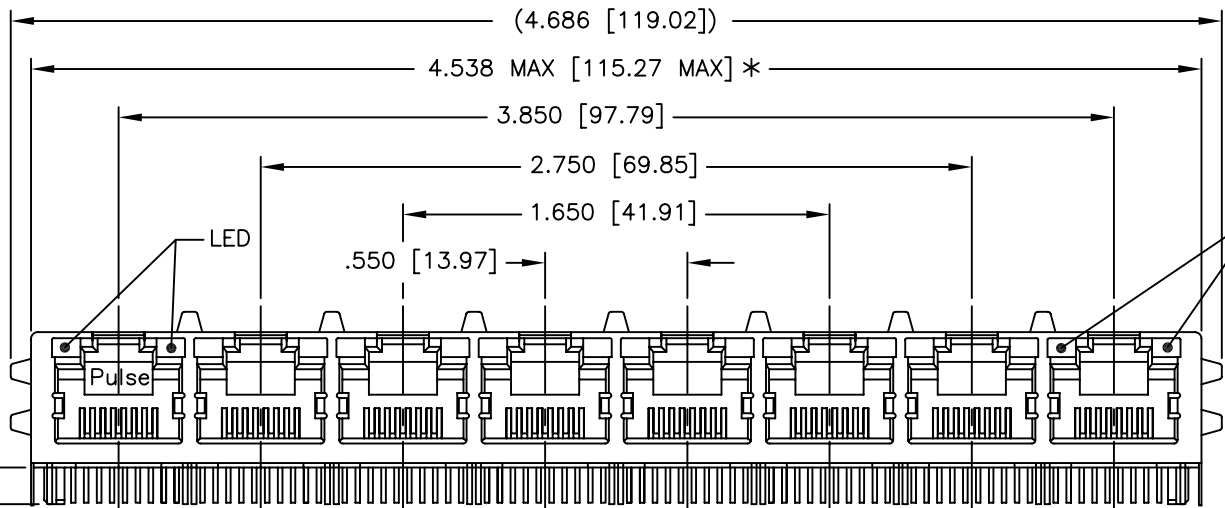
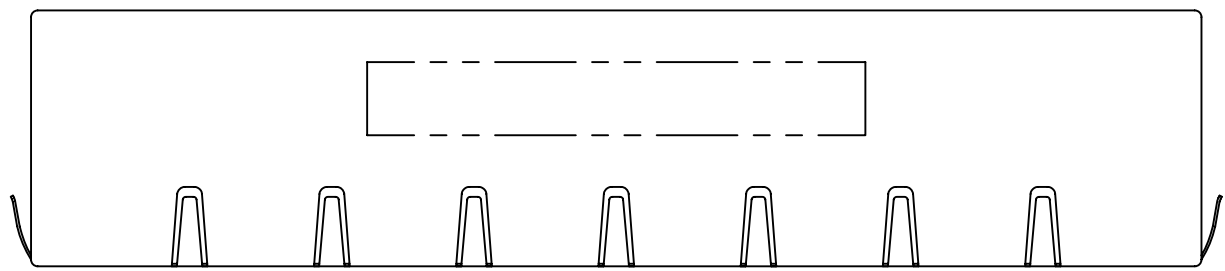
NOTES:
FOR PORT A, C, E AND G: PINS 3 AND 4 ARE REMOVED.
FOR PORT B, D, F AND H: PINS 7 AND 8 ARE REMOVED.

UNLESS OTHERWISE SPECIFIED, ALL DIMENSIONS ARE IN INCHES
TOLERANCES ARE:
DECIMALS ANGLES
.XX ±.01 ± 1°
.XXX ±.005
DO NOT SCALE DRAWING

SIZE	CAGE CODE	DWG. NO.	REV.
B01961		JGO-0051NL	X1
SCALE	CADD FILE	SHEET	
NONE	JGO-0051NL-2	2 OF 4	

JG0-0051NL

NOTICE: THE INFORMATION AND DESIGN CONTAINED HEREIN IS THE PROPERTY OF PULSE WHO RESERVES ALL RIGHTS THERETO.



UNLESS OTHERWISE SPECIFIED, ALL DIMENSIONS ARE IN INCHES. TOLERANCES ARE:
 DECIMALS ±.01
 .XX ±.01
 .XXX ±.005
 DO NOT SCALE DRAWING

SIZE	CAGE CODE	DWG. NO.	REV
SCALE	B01961	JG0-0051NL	X1
2/1	CADD FILE	JG0-0051NL-3	SHEET 3 OF 4

JGO-0051NL 4

NOTICE: THE INFORMATION AND DESIGN CONTAINED HEREIN IS THE PROPERTY OF PULSE WHO RESERVES ALL RIGHTS THERETO.

D

C

B

A

3

2

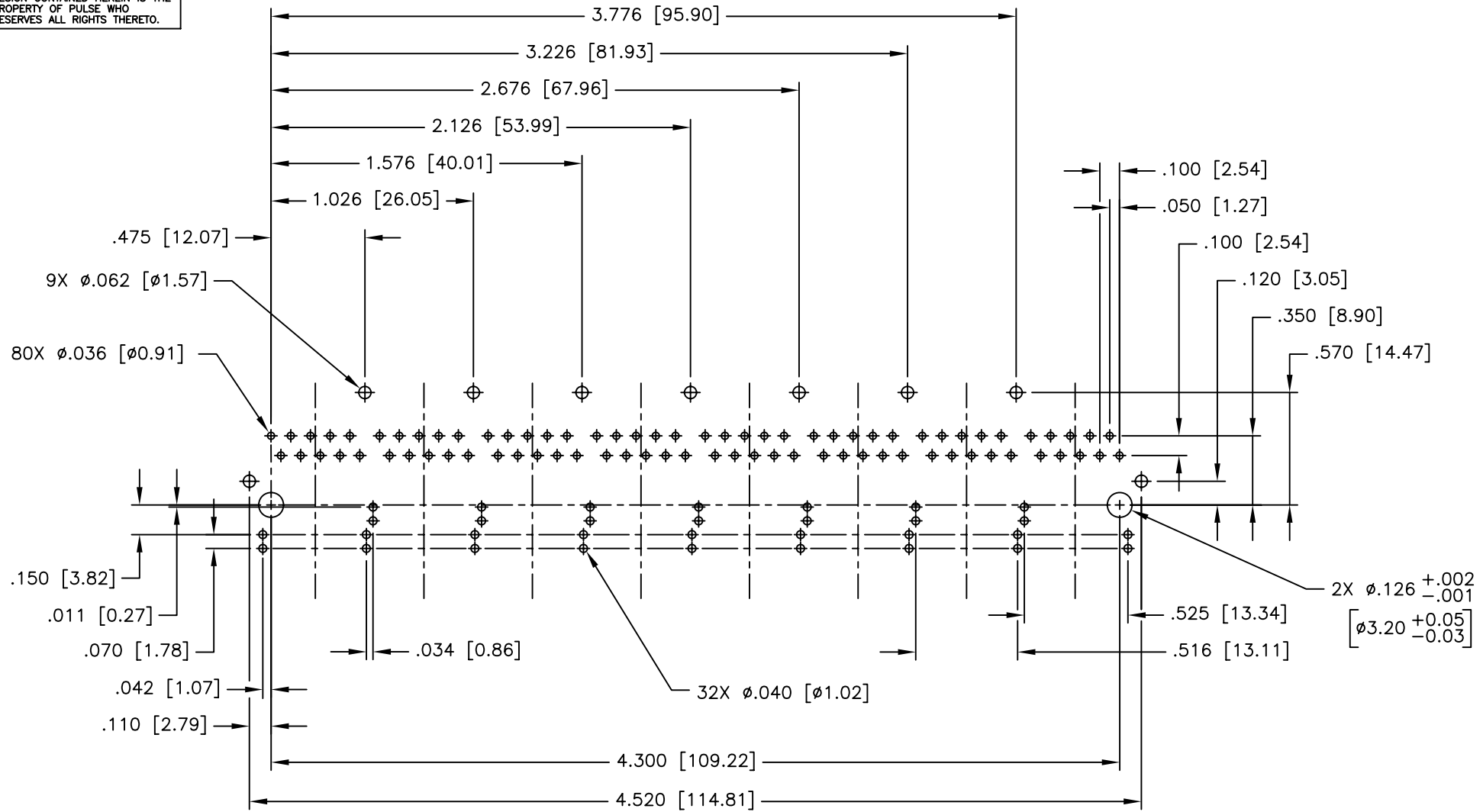
1

D

C

B

A



SUGGESTED FOOTPRINT (COMPONENT SIDE SHOWN)
 DIMENSIONAL TOLERANCE: (UNLESS OTHERWISE SPECIFIED)
 .XXX ± 0.003 [X.XX ± 0.08]

UNLESS OTHERWISE SPECIFIED, ALL DIMENSIONS ARE IN INCHES
 TOLERANCES ARE:
 DECIMALS
 .XX ± 0.01
 .XXX ± 0.005
 DO NOT SCALE DRAWING

SIZE	CAGE CODE	DWG. NO.	REV
SCALE	2/1	JGO-0051NL	X1
CADD FILE	JGO-0051NL-4	SHEET	4 OF 4

4

3

2

1