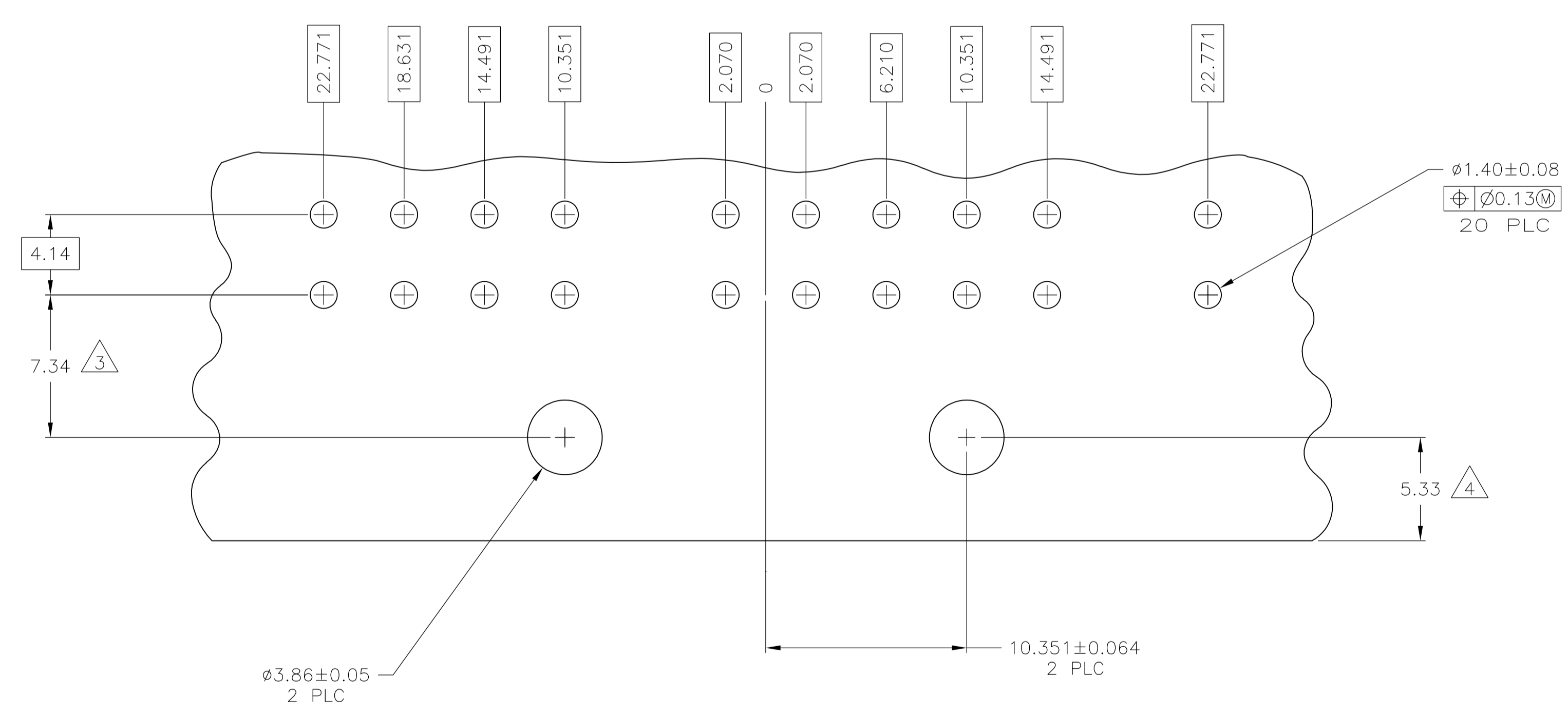
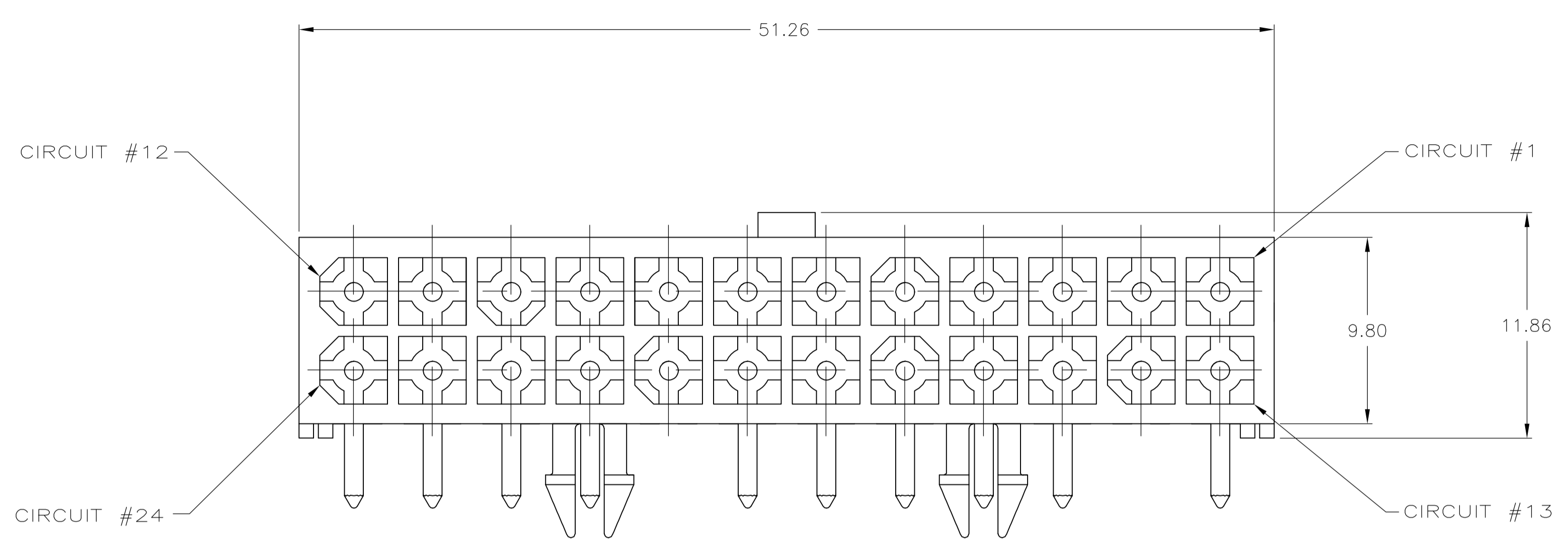
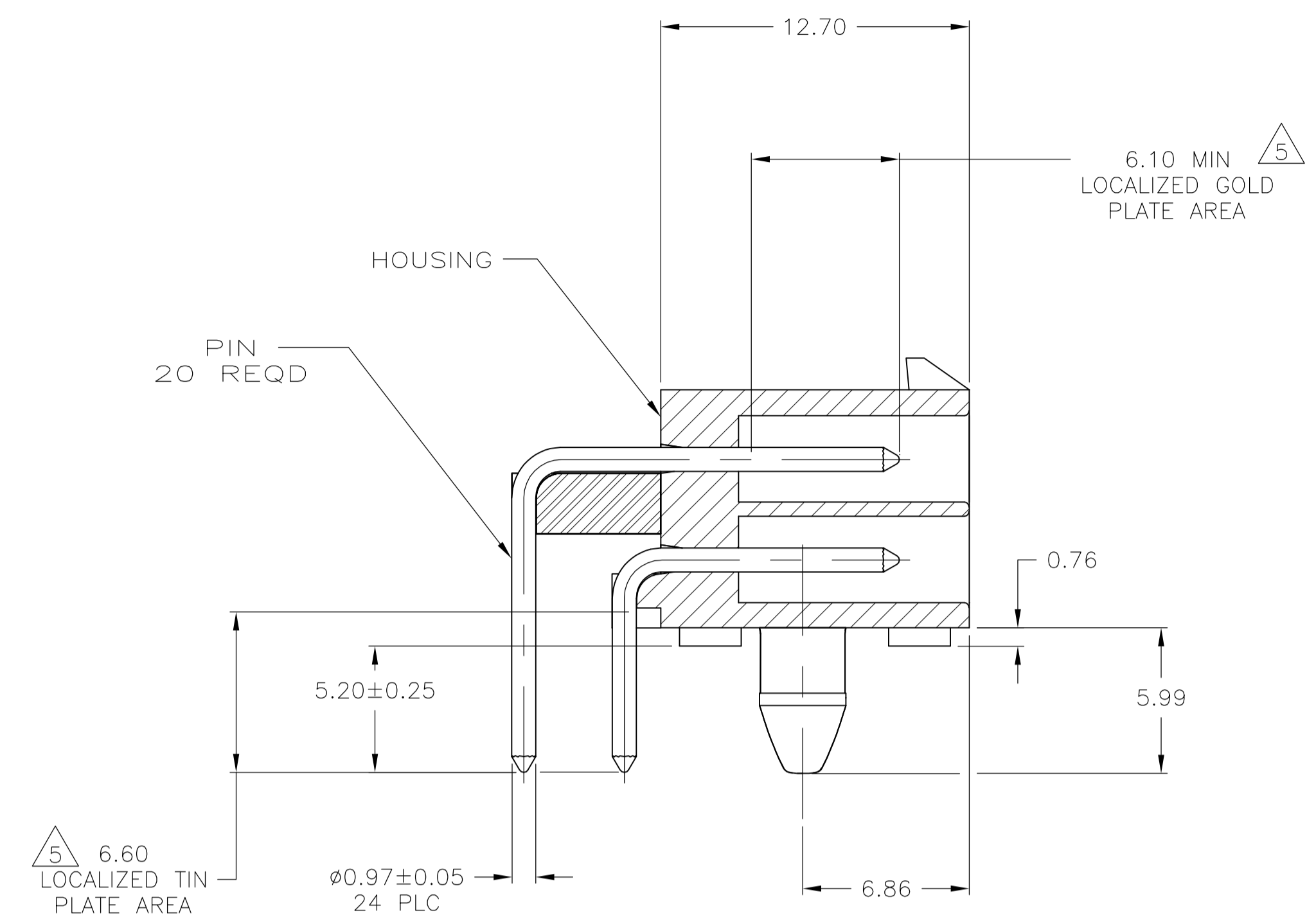


LOC		DIST		REVISIONS			
P	LTR	DESCRIPTION	DATE	DN	APVD		
C		REVISED PER ECR-15-010337	23JUL2015	RK	SC		



- 1 PINS TO COMPLY WITH AMP SOLDERABILITY SPEC 109-11-3.
- 2 MATES WITH PLUG P/N 770587-1.
- 3 COORDINATE DIMENSION APPLIES FROM CENTER OF ACTUAL FEATURE.
- 4 RECOMMENDED FOR EDGE MOUNTING.
- 5 0.00076 MIN GOLD PLATE IN THE LOCALIZED GOLD PLATE AREA, 0.00381 MIN MATTE TIN IN THE LOCALIZED TIN PLATE AREA, BOTH OVER 0.00127 MIN NICKEL.

RECOMMENDED MOUNTING HOLE PATTERN FOR 1.57 THICK P.C. BOARD

MM	IN	MM	IN	MM	IN
1.00	.039	6.10	.240	51.26	2.018
0.76	.030	5.99	.236	22.771	.8965
0.25	.010	5.33	.210	18.631	.7335
0.13	.005	5.08	.200	14.491	.5705
0.08	.003	4.14	.163	12.70	.500
0.064	.0025	3.86	.152	10.351	.4075
0.05	.002	3.68	.145	9.80	.386
0.00381	.000150	2.070	.0815	7.34	.289
0.00127	.000050	1.57	.062	6.86	.270
0.00076	.000030	1.40	.055	6.210	.2445
MM	IN	MM	IN	MM	IN

CONVERSION TABLE

2,8,14,&20	BRASS	TIN	5	NYLON, UL94V-0	WHITE	1586746-2
PIN OMITTED	MATERIAL	FINISH		MATERIAL	COLOR	PART NO.
THIS DRAWING IS A CONTROLLED DOCUMENT.		PIN		HOUSING		
DIMENSIONS: mm	TOLERANCES UNLESS OTHERWISE SPECIFIED:		DIN K. WHITAKER 02FEB2006 CHK C. JONES 02FEB2006 APVD C. JONES 02FEB2006 NAME: HEADER ASSEMBLY, RIGHT ANGLE, W/SHORT PEG, 24 CIRCUIT, SPECIAL, MINI UNIVERSAL MATE-N-LOK(TM) PRODUCT SPEC: -- APPLICATION SPEC: -- ANGLE: -- SIZE: A1 CAGE CODE: 00779 DRAWING NO: 1586746 RESTRICTED TO: -- WEIGHT: -- CUSTOMER DRAWING: -- SCALE: 5:1 SHEET: 1 OF 1 REV: C			
SEE TABLE	SEE TABLE	SEE TABLE	SEE TABLE	SEE TABLE	SEE TABLE	SEE TABLE