

08025MB (3110MS)

80[□]X25^L

AC Axial Fan



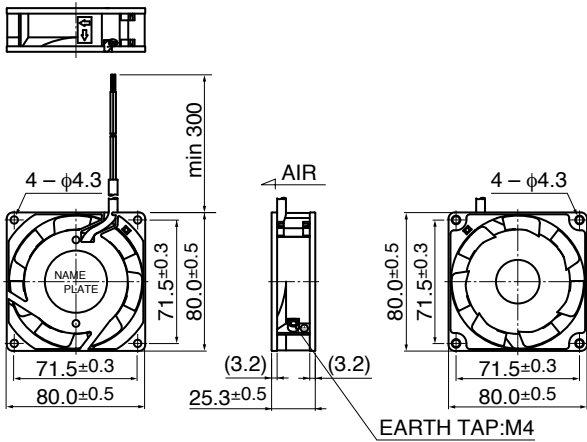
General Specifications

Motor Structure	Shaded Pole Induction Motor
Motor Protection	Impedance Protection
Insulation Resistance	Min 100MΩ by DC 500V Megger
Dielectric Withstand Voltage : AC1800V 3s	
Allowable Ambient Temperature Range	- 10°C ~ + 70°C (Operating) - 40°C ~ + 70°C (Storage) non-condensing environment

Expected Life ※ Failure Rate: 10% (L10 Life)

25°C 100,000 (Hours)

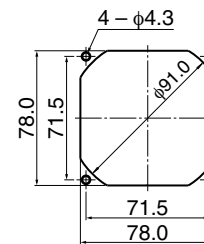
Outline



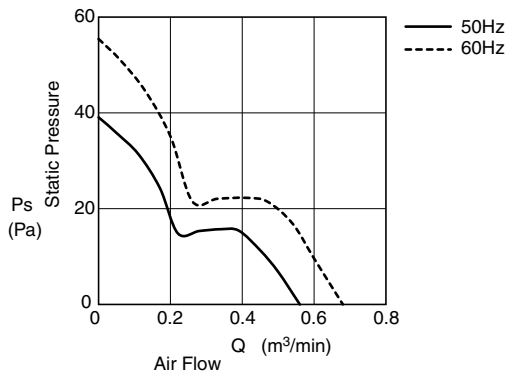
* Only flange type casing is available.

Panel Out-cuts

(Inlet Side) / (Outlet Side)



Characteristic Curves



Material

Casing	: Aluminum (Black Painting)
Impeller	: Plastic (Black) UL94V-0
Bearing	: Ball Bearing
Lead Wire	: UL3266, AWG22

Potting type (dust & water-proof type) is also available.

Specifications

Model	Product No.	Rating Voltage	Frequency	Starting Voltage	Current	Input Power	Speed	Max. Air Flow		Max. Static Pressure		Noise	Mass
		(V)	(Hz)	(V)	(A) ^{*2}	(W) ^{+10% -20%}	(min ⁻¹) ^{*3}	(m ³ /min) ^{*1}	(CFM) ^{*1}	(Pa) ^{*1}	(In H ₂ O) ^{*1}	(dB) ^{*1}	(g)
08025MB-A0L-AA-	00	100	50	65	0.130	8.0	2500	0.57	20.4	39.0	0.16	24.0	240
			60		0.110	6.5	3000	0.68	24.3	55.0	0.22	31.0	
08025MB-A1L-AA-	00	115	50	75	0.110	8.0	2500	0.57	20.4	39.0	0.16	24.0	
			60		0.090	6.5	3000	0.68	24.3	55.0	0.22	31.0	
08025MB-B0L-AA-	00	200	50	130	0.060	7.0	2500	0.57	20.4	39.0	0.16	24.0	
			60		0.050	6.0	3000	0.68	24.3	55.0	0.22	31.0	
08025MB-B2L-AA-	00	220	50	165	0.055	7.5	2500	0.57	20.4	39.0	0.16	24.0	
			60		0.045	6.5	3000	0.68	24.3	55.0	0.22	31.0	
08025MB-B3L-AA-	00	230	50	180	0.050	7.5	2500	0.57	20.4	39.0	0.16	24.0	
			60		0.045	6.5	3000	0.68	24.3	55.0	0.22	31.0	
08025MB-B4L-AA-	00	240	50	180	0.050	7.5	2500	0.57	20.4	39.0	0.16	24.0	
			60		0.045	6.5	3000	0.68	24.3	55.0	0.22	31.0	

Rotation: Counterclockwise as seen from the label side
Airflow Outlet: Label side

*1: Average Values in Free Air
*2: Maximum Values in Free Air
*3: Minimum Values in Free Air