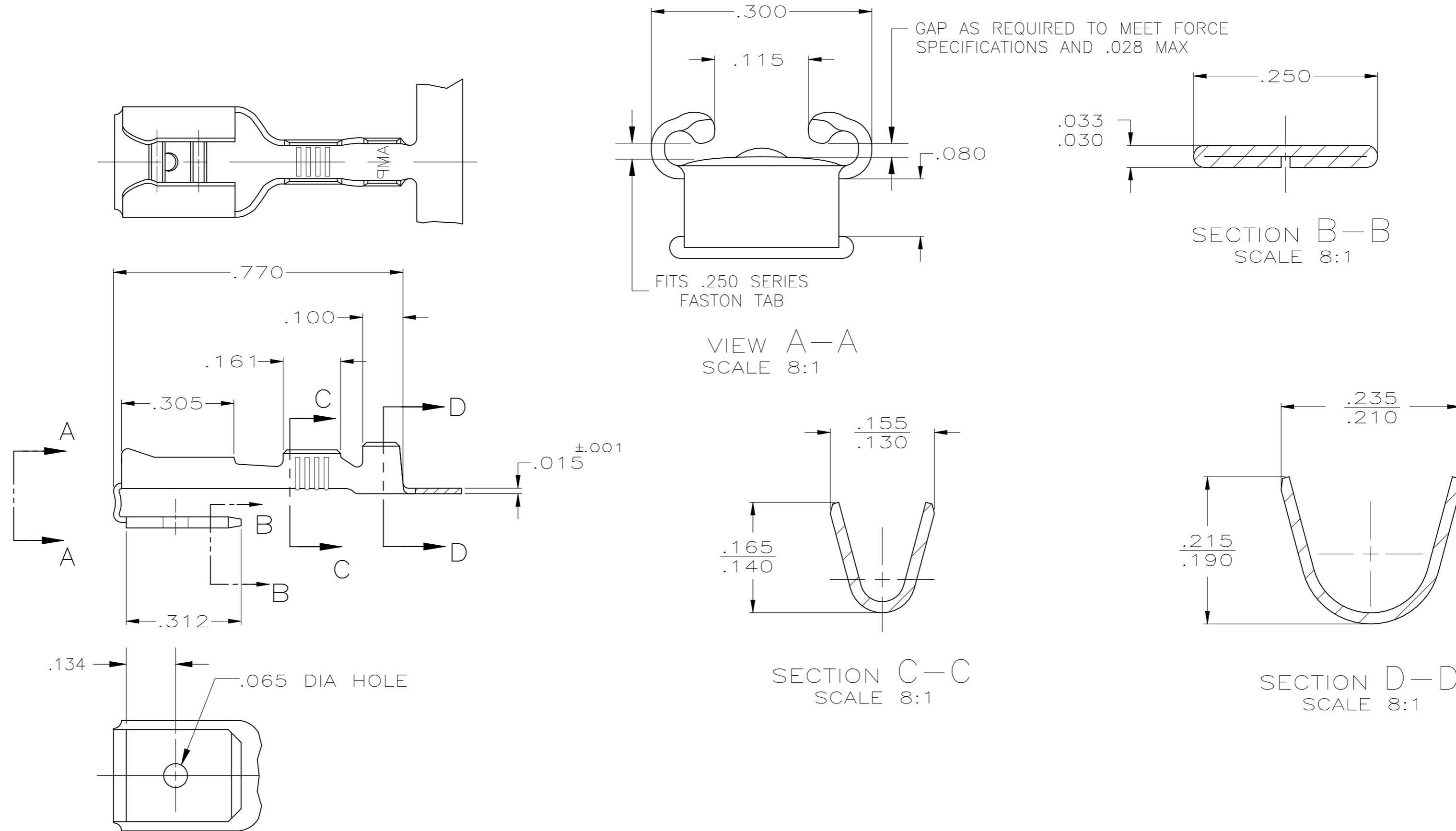


REVISIONS					
P	LTR	DESCRIPTION	DATE	DWN	APVD
F2		REVISED PER ECR-21-113405	31MAY2022	SS	DH

1. THE GAP ON THE ROLLS TO BE IN CONTACT WITH THE TAB FOR THE LENGTH OF THE ROLL BEHIND THE LEAD-IN.



F	.180	.220	F	.110	.057	18
					.063	16
					.072	14
TYPE	WIDTH	STRIP LENGTH ±.015	TYPE	WIDTH	±.002 HEIGHT	WIRE
INSUL BARREL CRIMP			WIRE BARREL CRIMP			

TIN	BRASS	.120-.170	18-14	.033-.030	62223-2
-	BRASS	.120-.170	18-14	.033-.030	62223-1
FINISH	MATERIAL	INSULATION RANGE	WIRE SIZE	MATING TAB THK	PART NO.

THIS DRAWING IS A CONTROLLED DOCUMENT.

DWN	JR RUTH	7/12/89		RECEPTACLE, FASTON™ PIGGYBACK, .250 SERIES	
CHK	MS FEHER	7/12/89			
APVD	C MEYERS	7/12/89			
PRODUCT SPEC					
MATERIAL	SEE TABLE	FINISH	SEE TABLE	APPLICATION SPEC 114-2082 WEIGHT 0.000000 CUSTOMER DRAWING	
SIZE	A2	CAGE CODE	00779	DRAWING NO	C-62223
SCALE	4:1	SHEET	1 OF 1	REV	F2