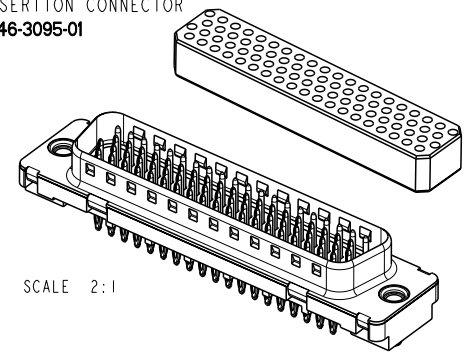


INTERMEDIATE PUSH BLOCK
FOR INSERTION CONNECTOR
P/N: 8646-3095-01



SCALE 2:1

REQUIREMENTS

Technical characteristics:

Shell: steel tin plated
Insulators: self-extinguishing thermoplastic, UL class 94V0
Contacts: phosphor bronze, gold over 2 microns mini nickel on active area and flash to 1.5 micron maxi SnPb over 1 micron mini nickel on termination
Cycles: 500min

Press fit connectors:

Insertion force 100 N max per contact
Extraction force 30 N mini per in SnPb hole
20N mini in pure tin hole
15N mini in copper hole

Accessories:

Threaded insert M3 with harpoon: tin plated
retention against torque 0.7 N.m minimum
Grounding strip: phosphor bronze, tin plated

Electrical characteristics:

Max current rating: 2.5A
Test voltage: 750V
Rated voltage: 300V
Contact resistance: <15 mOhm
Shell resistance: <5 mOhm
Insulation resistance >5000 MOhm

Climatic characteristics:

Operating temperature range: -55°C + 125°C
Industrial atmosphere (bellcore test)
4 gases, 10 days

Marking:

Ink marking on front shell
Logo, reference FCI, code year-week

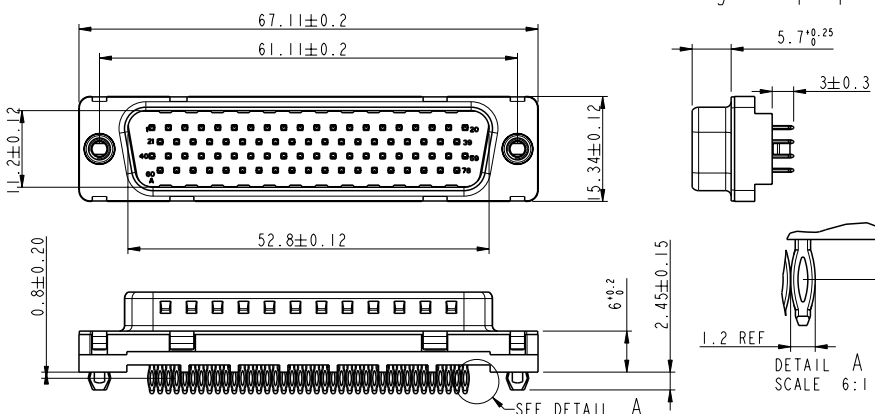
Packaging

In tray according to specification EUR-14-015

Dimensions:

In accordance with MIL-DTL-24308B

Tous droits réservés. Reproduction ou utilisation sans autorisation de FCI. - Tous droits réservés. - All rights reserved. - Copyright FCI.



TIN LEAD PART NUMBER
PART NUMBER
CD78P9IC6GL00

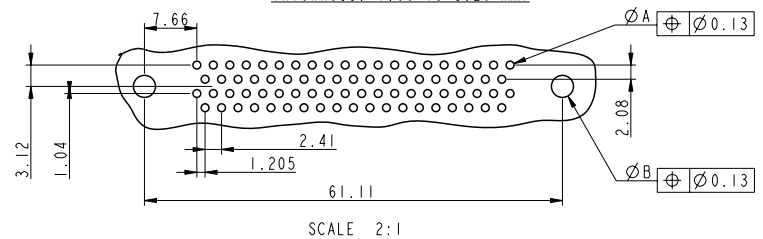
LEAD FREE PART NUMBER
PART NUMBER
CD78P9IC6GL00LF

PLATING FOR TIN VERSIONS, TERMINATIONS LF ONLY

NOTE RoHS INFORMATIONS
- The "LF" products meet European union Directives and other country regulations as described in GS-22-008
- Active Part : Gold over Nickel
- Termination plating spec: 0.5 to 3 µm Nickel, 0.5 to 1.5 µm Sn
- Shell plating: 2 to 4 µm Cu + 3 to 10 µm Sn (pure bright)
- Accessories: Sn pure bright
- Packaging spec: see GS-14-920

METALLIZED HOLE DIMENSION		HOLE PRESS-FIT CONTACT SnPb	HOLE PRESS-FIT CONTACT Sn	HOLE PRESS-FIT HARPOONS SnPb	HOLE PRESSFIT HARPOON Sn	HOLE PRESS FIT CONTACT Copper OSP	HOLE PRESS-FIT HARPOON Copper OSP
P.C.B. HOLE DEFINITION (NOTE -1 AND -2)	DRILL DIAMETER	∅ 1.15 REF (NOTE -3)	∅ 1.15 REF (NOTE -3)	∅ 3.22 REF (note-3)	∅ 3.22 REF (note 3)	∅ 1.15 REF (note 3)	∅ 3.22 REF (note-3)
	DRILLED HOLE	∅ 1.12 -1.18	∅ 1.12 -1.18	∅ 3.19-3.25	∅ 3.19-3.25	∅ 1.12-1.18	∅ 3.19-3.25
	COPPER PLATING	25µ mini-50µ maxi	25µ mini- 50µ maxi	25µ mini-50µ maxi	25µ mini-50µ maxi	25µ mini-50µ maxi	25µ mini-50µ maxi
	TIN LEAD PLATING	5µ mini - 15µ maxi		5µ mini-15µ maxi			
	PUR TIN PLATED		0.8 mini to 1.2µ maxi		0.8µ mini-1.2µ maxi		
	OSP PLATING(copper)					0.20µ mini-0.5µ maxi	0.20µ mini-0.5µ maxi
	FINISH HOLE(note 4)	∅ 0.94-1.09	∅ 1.00-1.09	∅ 3.02-3.20	∅ 3.08-3.20	∅ 1.01-1.09	∅ 3.09-3.20

PC board drilling dimensions (after plating - thickness: 1.60 to 3.20 mm)



SCALE 2:1

NOTE-1: THESE DIMENSIONS MUST BE RESPECT TO SECURE PRESS-FIT PIN PERFORMANCES.
NOTE-2: ACCORDING TO IEC -352-5 SPEC.
NOTE-3: MAJOR REQUIREMENT FOR PRESS-FIT PIN PERFORMANCE
NOTE-4: DIMENSIONS AFTER REFLOW FOR TIN AND TIN LEAD HOLES

Tous droits réservés. Reproduction ou utilisation sans autorisation de FCI. - Tous droits réservés. - All rights reserved. - Copyright FCI.

FCI www.fciconnect.com		surface	tolerance	projection	MM
Dr	PESSON 14/11/03	Product family	-	size	A2
Eng	LEGARE 14/11/03	Spec ref		Scale	2:1
Chr	DUMAZY 14/11/03	Material	SEE NOTES	ECN	LS05-0077
Appr	LEGARE 14/11/03				
MALE SUB COMPACT D78		deg no	C01-8646-0845		Rev. H
Straight compliant press fit					
catalog no		CUSTOMER COPY		sheet 1 of 1	