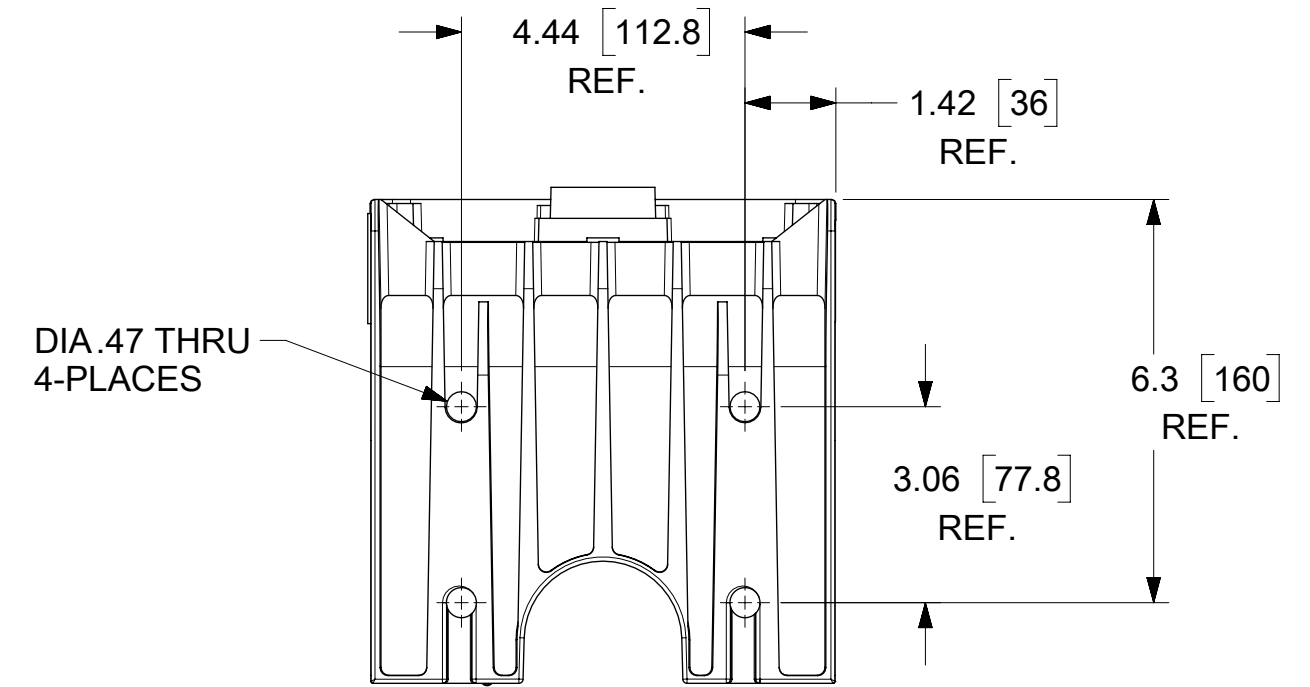
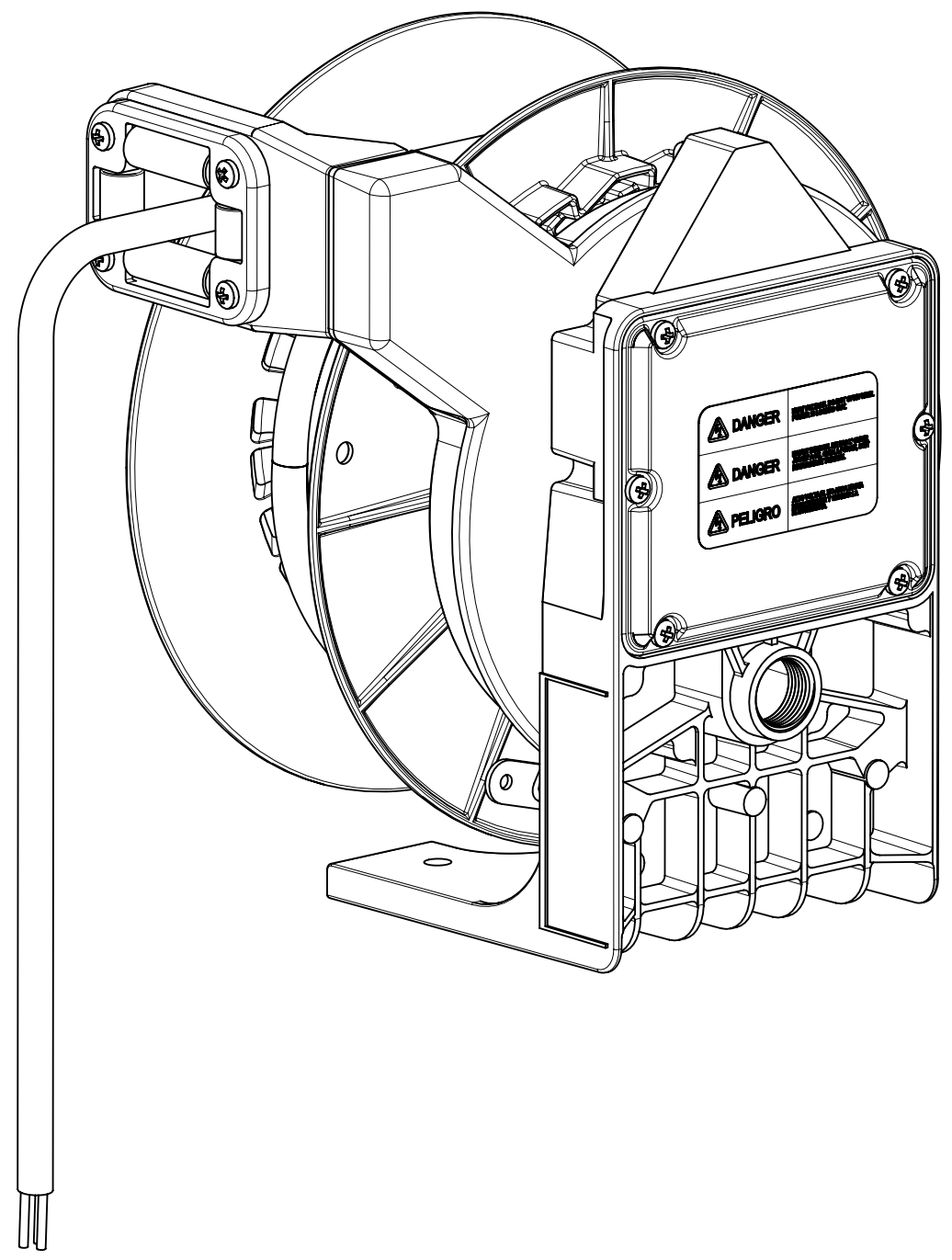
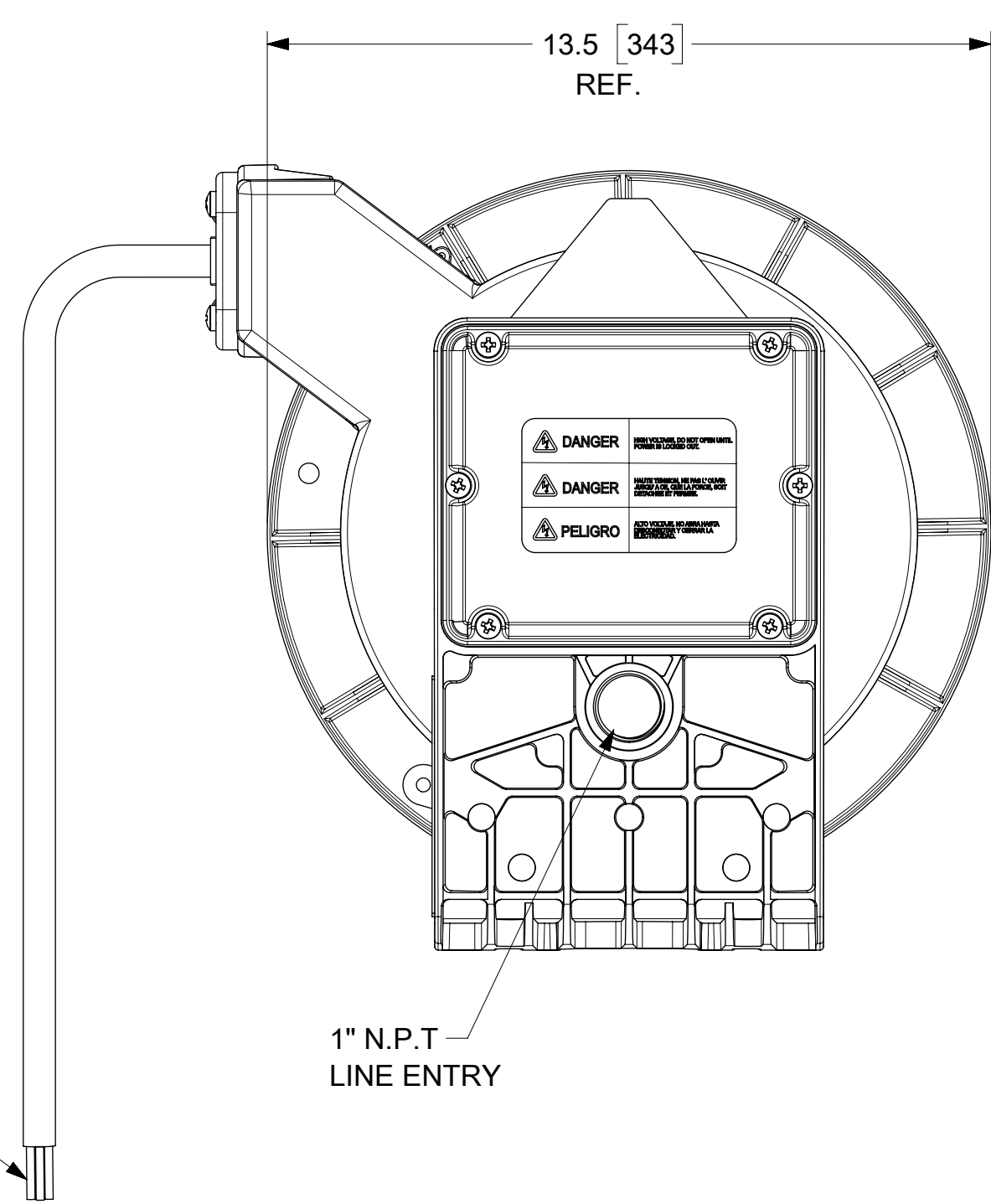
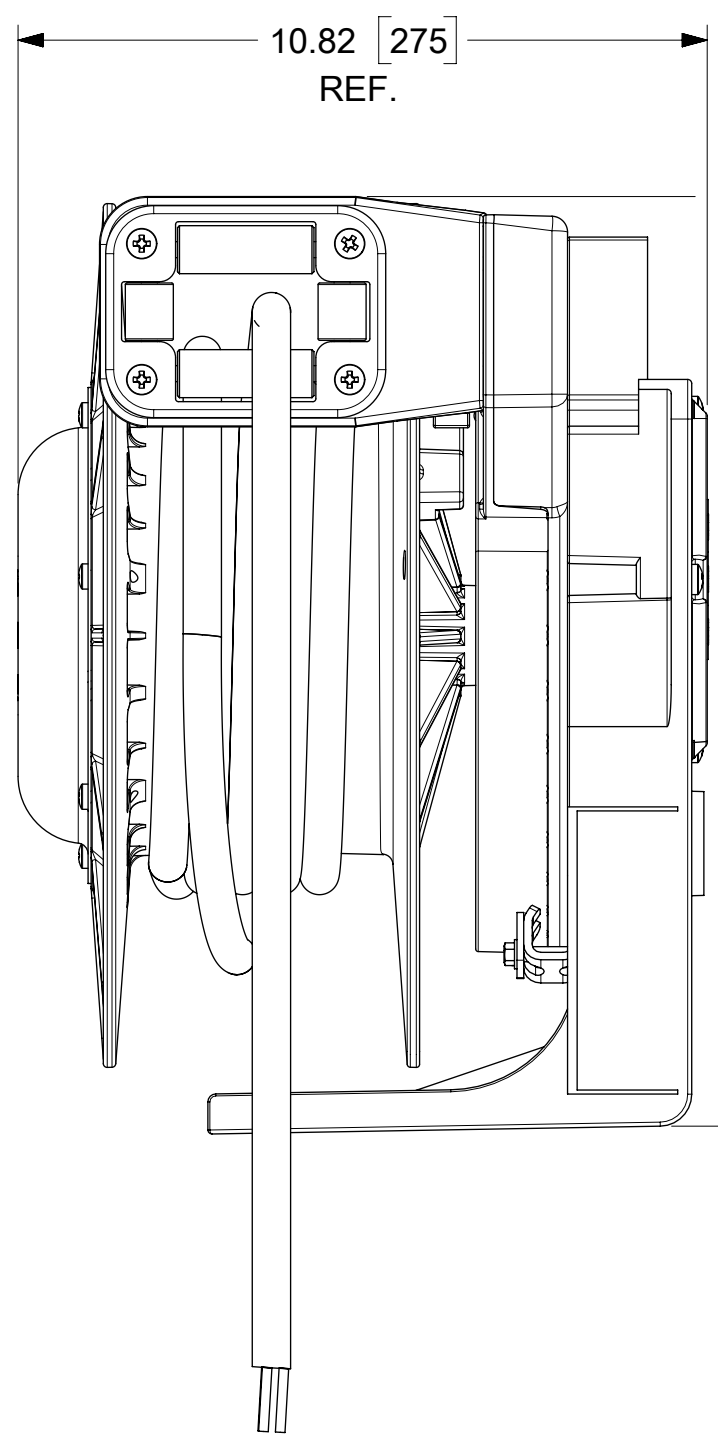


ORDER NO	130083-0237
WOODHEAD ENG. NO	92463
WIRE GAUGE	12
CONDUCTORS	6
AMPERAGE	14A
WORKING CORD	30 FT. BLACK
CORD TYPE	SOOW
CONSTRUCTION	HEAVY WALL CAST ALUMINUM
PAINT	YELLOW POWDER COAT
REEL ENCLOSURE RATING	NEMA 4 INDOOR / OUTDOOR
RETRACTION WEIGHT	4.0 LB [1.8 KG]



BOTTOM VIEW

NOTES:

1. CABLE GUIDE IS ADJUSTABLE EVERY 5 DEGREES OVER 270 DEGREE ARC.
2. RATCHET LOCK IS EASY TO DISENGAGE FOR CONSTANT TENSION.
3. REEL CANNOT BE "LOCKED OUT" AT FULL EXTENSION.

FUNCTIONAL SYMBOLS	THIS DRAWING CONTAINS INFORMATION THAT IS PROPRIETARY TO MOLEX ELECTRONIC TECHNOLOGIES, LLC AND SHOULD NOT BE USED WITHOUT WRITTEN PERMISSION			
	DIMENSION UNITS	SCALE		CURRENT REV DESC: RELEASE CUSTOMER DRAWING
$\frac{F}{A} = 0$	INCH/MM	NTS		<p>molex</p> <p>CABLE REEL - INDUSTRIAL DUTY 30' #12-6 SOOW</p> <p>PRODUCT CUSTOMER DRAWING</p> <p>DOCUMENT NUMBER: 1300830237 DOC TYPE: PSD DOC PART: 000 REVISION: A</p> <p>EC NO: 674250 DRWN: VHANDI 2020/07/17</p> <p>CHK'D: DSOPPIN 2022/05/11</p> <p>APPR: HKNEELAND 2022/05/13</p> <p>INITIAL REVISION: DRWN: VHANDI 2020/07/17</p> <p>APPR: HKNEELAND 2022/05/13</p> <p>THIRD ANGLE PROJECTION</p>
GENERAL TOLERANCES (UNLESS SPECIFIED)	MM	INCH		
$\frac{F}{C} = 0$	4 PLACES	±	±	
$\frac{F}{D} = 0$	3 PLACES	±	± 0.005	
DIVISIONAL SYMBOLS	2 PLACES	± 0.13	± 0.01	
	1 PLACE	± 0.25	± 0.02	
	0 PLACES	±	±	
	ANGULAR TOL	± 0.5°		
DRAFT WHERE APPLICABLE MUST REMAIN WITHIN DIMENSIONS	C-SIZE		SHEET NUMBER: 1 OF 1	