



Main

| | |
|-------------------------------|--|
| Range of Product | Telemecanique Photoelectric sensors XU |
| Series name | General purpose single mode |
| Electronic sensor type | Photo-electric sensor |
| Sensor name | XUK |
| Sensor design | Compact 50 x 50 |
| Detection system | Diffuse |
| Material | Plastic |
| Type of output signal | Discrete |
| Supply circuit type | DC |
| Wiring Technique | 3-wire |
| Discrete output type | NPN |
| Discrete output function | 1 NC |
| Electrical connection | 1 male connector M12, 4 pins |
| Product Specific Application | - |
| Emission | Infrared diffuse |
| [Sn] nominal sensing distance | 3.28 ft (1 m) diffuse |

Complementary

| | |
|---------------------------|---|
| Enclosure Material | PBT |
| Lens material | PMMA |
| Maximum sensing distance | 4.92 ft (1.5 m) diffuse |
| Output Type | Solid state |
| Wire insulation material | PVC |
| Status LED | 1 LED yellow)output state |
| [Us] rated supply voltage | 12...24 V DC |
| Switching capacity in mA | <= 100 mA (overload and short-circuit protection) |
| Switching frequency | <= 250 Hz |
| Maximum voltage drop | <1.5 V (closed state) |
| Current consumption | <= 35 mA (no-load) |
| Maximum delay first up | 15 ms |
| Maximum delay response | 2 ms |
| Maximum delay recovery | 2 ms |
| Setting-up | Without sensitivity adjustment |
| Depth | 1.97 in (50 mm) |
| Height | 1.97 in (50 mm) |
| Width | 0.71 in (18 mm) |
| Net Weight | 0.42 lb(US) (0.19 kg) |

Environment

| | |
|---------------------------------------|--|
| Product Certifications | UL CSA CE |
| Ambient air temperature for operation | -13...131 °F (-25...55 °C) |
| Ambient Air Temperature for Storage | -40...158 °F (-40...70 °C) |
| Vibration resistance | 7 gn +/- 1.5 mm 10...55 Hz IEC 60068-2-6 |
| Shock resistance | 30 gn 11 ms) IEC 60068-2-27 |
| IP degree of protection | IP65 double insulation IEC 60529 |

Ordering and shipping details

| | |
|-----------------------|---|
| Category | 21571-SENSORS, ELECTRONIC BASIC XU & XS |
| Discount Schedule | DS2 |
| GTIN | 3389110162417 |
| Nbr. of units in pkg. | 1 |
| Package weight(Lbs) | 2.08 oz (59.0 g) |
| Returnability | No |
| Country of origin | ID |

Packing Units

| | |
|------------------------------|------------------------|
| Unit Type of Package 1 | PCE |
| Package 1 Height | 1.61 in (4.1 cm) |
| Package 1 width | 3.74 in (9.5 cm) |
| Package 1 Length | 2.56 in (6.5 cm) |
| Unit Type of Package 2 | S02 |
| Number of Units in Package 2 | 44 |
| Package 2 Weight | 6.73 lb(US) (3.051 kg) |
| Package 2 Height | 5.91 in (15 cm) |
| Package 2 width | 11.81 in (30 cm) |
| Package 2 Length | 15.75 in (40 cm) |

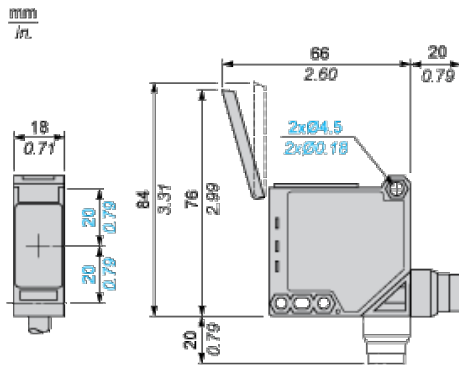
Offer Sustainability

| | |
|----------------------------|---|
| Sustainable offer status | Green Premium product |
| California proposition 65 | WARNING: This product can expose you to chemicals including: Diisononyl phthalate (DINP), which is known to the State of California to cause cancer, and Di-isodecyl phthalate (DIDP), which is known to the State of California to cause birth defects or other reproductive harm. For more information go to www.P65Warnings.ca.gov |
| REACH Regulation | REACH Declaration |
| EU RoHS Directive | Pro-active compliance (Product out of EU RoHS legal scope) EU RoHS Declaration |
| Mercury free | Yes |
| RoHS exemption information | Yes |
| Environmental Disclosure | Product Environmental Profile |
| Circularity Profile | End Of Life Information |

Contractual warranty

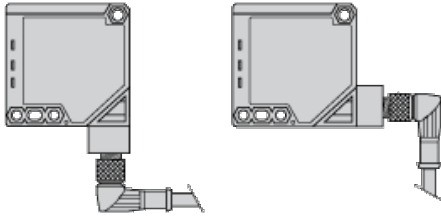
| | |
|----------|-----------|
| Warranty | 18 months |
|----------|-----------|

Dimensions



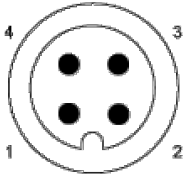
Mounting and Clearance

Possible Orientation of Elbowed Connector



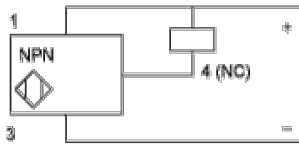
Wiring Schemes

M12 Connector

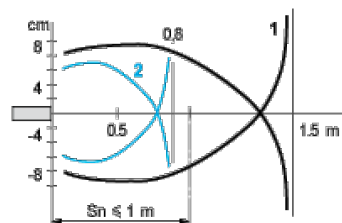


- 1: (+)
- 3: (-)
- 4: OUT/Output

NPN Outputs



Detection Curves



- 1 : White 90%
 - 2 : Grey 18%
- Object 10 x 10 cm