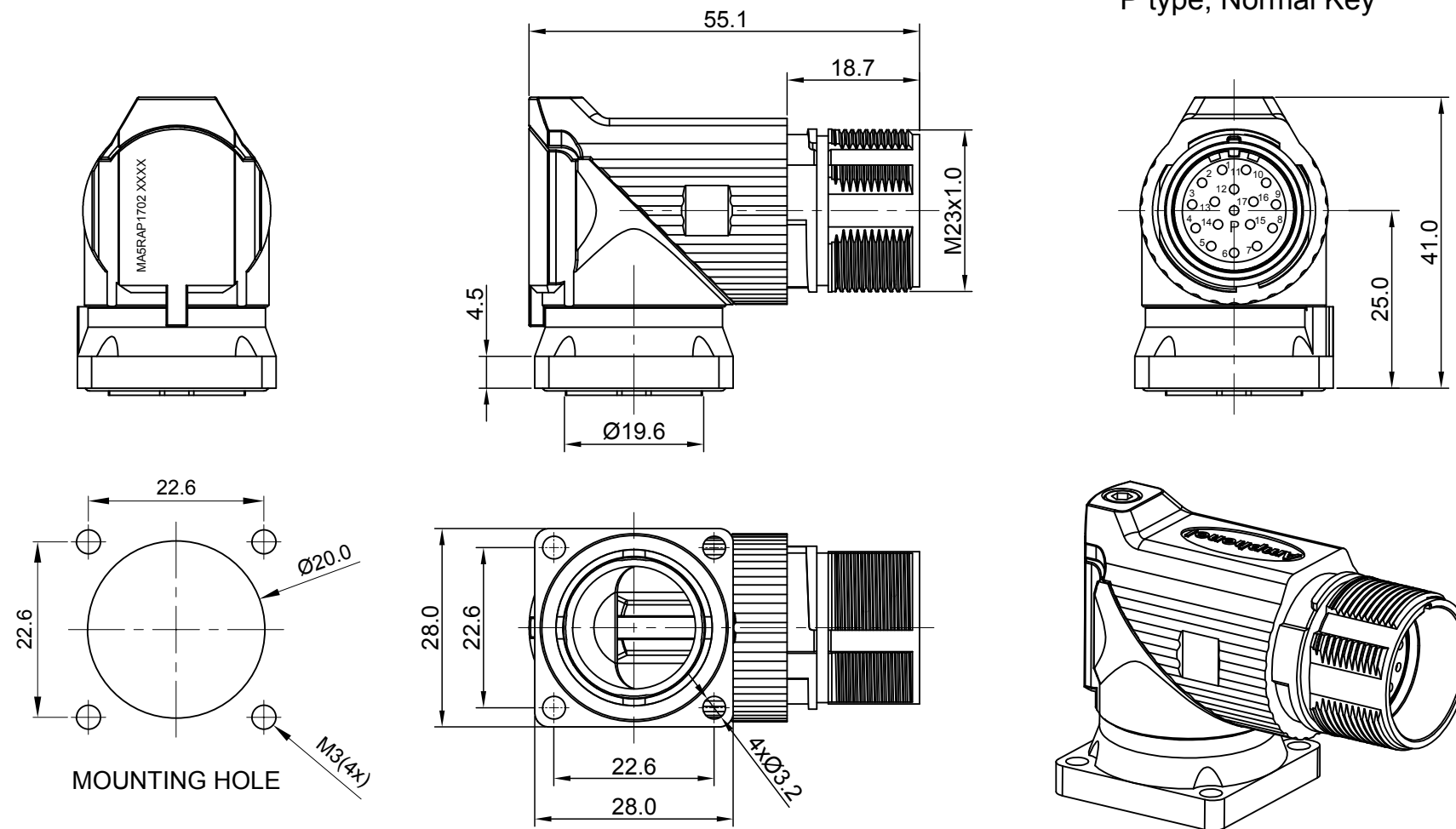


| REVISIONS | | | | | |
|-----------|-----|---------------|-------------|-------|-------|
| REV | ECO | DESCRIPTION | DATE | BY | APPR |
| A1 | - | FIRST RELEASE | Jan.12.2018 | White | Tommy |

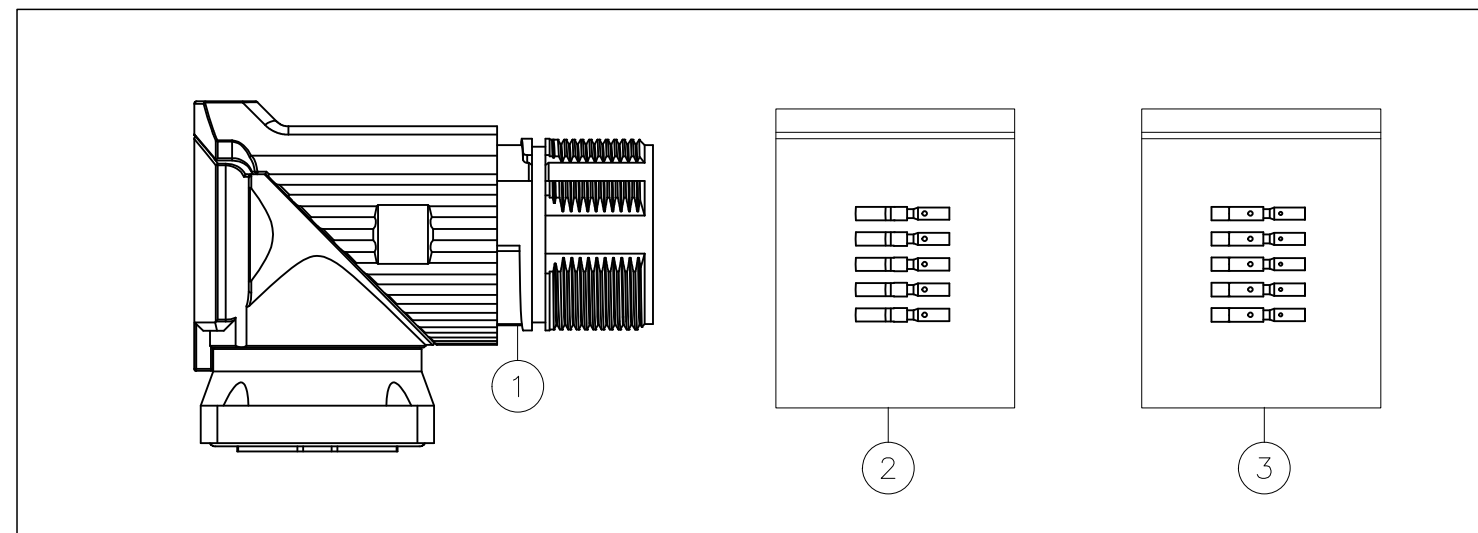
P type, Normal Key



NOTES: UNLESS OTHERWISE SPECIFIED

- MATERIAL:
INSULATION INSERT: PA66,UL94 V0
SEAL: VITON
HOUSING BODY: ZINC DIE CAST, NICKEL PLATED
CONTACT: COPPER ALLOY, GOLD PLATED
- SPECIFICATIONS:
2.1 CURRENT RATING: 9 AMPS
2.2 VOLTAGE RATING: 125 V AC/DC
2.3 OPERATING TEMPERATURE: -20°C TO +130°C
2.4 DIELECTRIC WITHSTANDING VOLTAGE: LESS THAN 2 MILLIAMPS CURRENT LEAKAGE @ 2500 VOLTS AC.
2.5 DEGREE OF PROTECTION: IP67 (MATED CONDITION)
2.6 DEGREE OF POLLUTION: 3 PER UL840
2.7 OVERVOLTAGE CATEGORY: III PER UL840
2.8 MATING CYCLE DURABILITY: >500 CYCLES
2.9 RoHS COMPLIANT

3. ALL DIMENSIONS ARE FOR REFERENCE USE ONLY.



| QUANTITY | PART NUMBER | DESCRIPTION | ITEM |
|----------|-------------|--|------|
| 17 | SC000030 | CONTACT, SOCKET, Ø1.0mm,CRIMP 24~28AWG | 3 |
| 17 | SC000044 | CONTACT, SOCKET, Ø1.0mm,CRIMP 18~22AWG | 2 |
| 1 | MA5RAP1702 | CONNECTOR | 1 |

| MATERIALS LIST | | | |
|---|------|-----------------|----------|
| SIGNATURES | | DATE | |
| DRAWN: White | | Jan.12.2018 | |
| CHECKED: Tod | | Jan.12.2018 | |
| ENGINEER: | | | |
| APPROVAL: Tommy | | Jan.12.2018 | |
| MATERIAL SPECIFICATIONS: | | | |
| PROCESS SPECIFICATIONS: | | | |
| NEXT ASSY: | | | |
| UNLESS OTHERWISE SPECIFIED 1) All dimensions are in metric(mm). 2) Tolerances are as follows: 1 PL DEC ±0.30 Fractions ±1/64 2 PL DEC ±0.15 Angles ±1° 3 PL DEC ±0.08 3) Note reference = | | | |
| Sine Systems - www.amphenol-sine.com 44724 Morley Drive Clinton Township, MI 48036 | | | |
| KIT,M23A,REC.,RA,17P,P TYPE, CHECKMATE | | | |
| SIZE | TYPE | DWG NO: | REVISION |
| B | C- | MA5RAP1702S-KIT | A1 |
| SCALE: NONE | | SHEET 1 OF 1 | |

TITLE: KIT,M23A,REC.,RA,17P,P TYPE, CHECKMATE
DWG NO: MA5RAP1702S-KIT
REV: A1
SH: 1
OF: 1