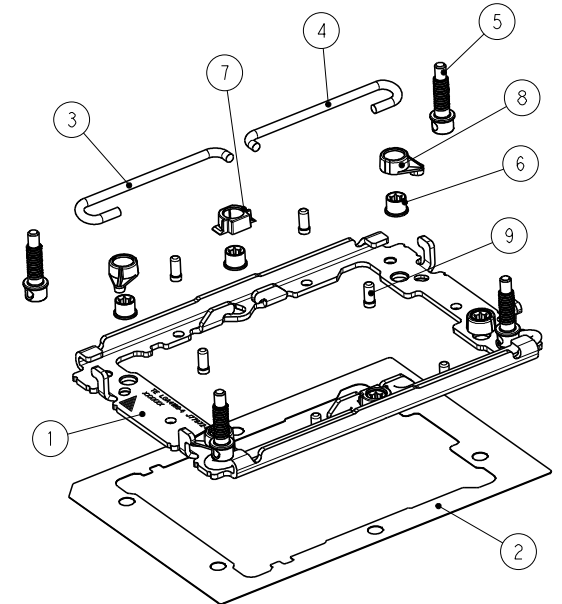
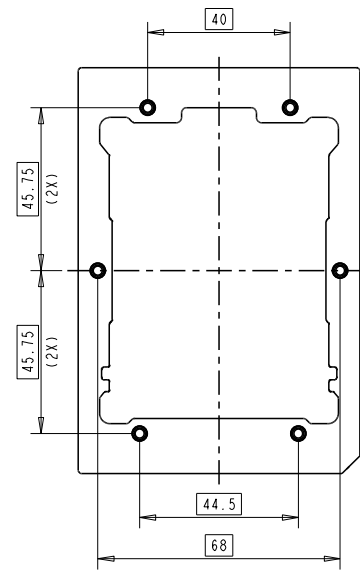
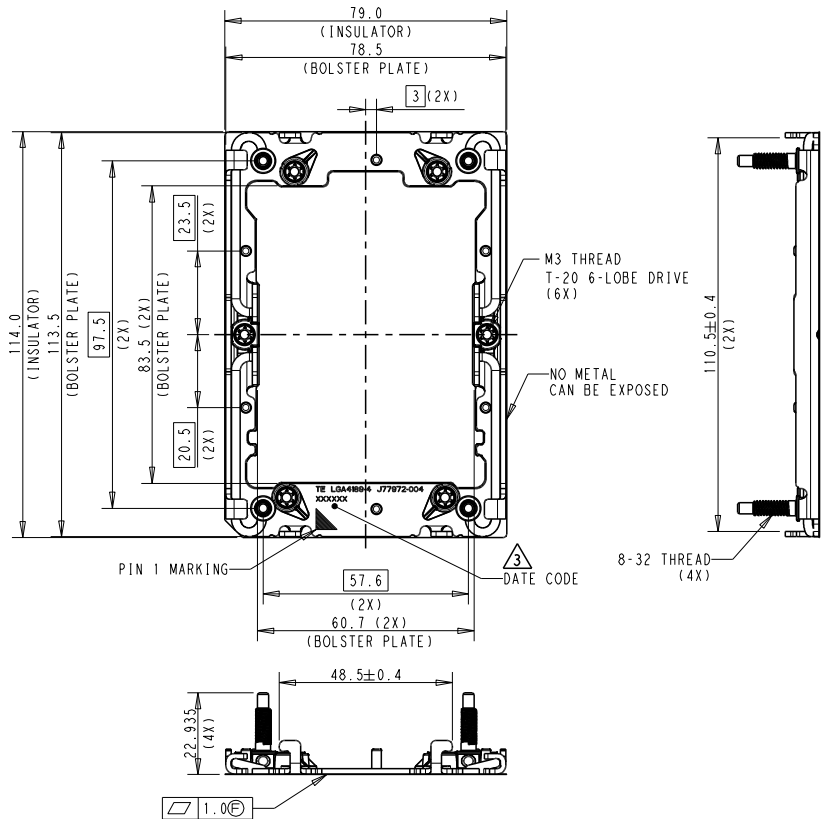


| REVISIONS |     |             |         |          |
|-----------|-----|-------------|---------|----------|
| P         | LTR | DESCRIPTION | DATE    | OWN APVD |
| B1        |     | REVISED     | 03MAR20 | J.W S.L  |

P/N: 2-2330550-1 AS SHOW



- NOTES:
- MATERIAL:
    - ① P4 TFLM BOLSTER PLATE: STAINLESS STEEL
    - ② P4 TFLM BOLSTER INSULATOR: -POLYCARBONATE FILM PLUS ACRYLIC ADHESIVE LAYER
  - ICX TFLM SPRING-1: MUSIC WIRE, NICKEL PLATING
  - ICX TFLM SPRING-2: MUSIC WIRE, NICKEL PLATING
  - ICX TFLM SPRING STUD: STAINLESS STEEL
  - ICX TFLM M3 NUT : CARBON STEEL, NICKEL PLATING
  - ICX TFLM NUT CAP-SIDE: THERMO-PLASTIC, UL94V-0, BLACK
  - ICX TFLM NUT CAP: THERMO-PLASTIC, UL94V-0, BLACK
  - ICX TFLM WIRE STOP PIN: STAINLESS STEEL
2. ASSEMBLED WITH BACKPLATE ASSEMBLY P/N: 2330551 SERIES
3. INDICATED DATE CODE ON THE BOLSTER PLATE

| Q'TY | DESCRIPTION                   | ITEM |
|------|-------------------------------|------|
| 6    | ICX TFLM WIRE STOP PIN        | 9    |
| 4    | ICX TFLM NUT CAP, BLACK       | 8    |
| 2    | ICX TFLM NUT CAP, SIDE, BLACK | 7    |
| 6    | ICX TFLM M3 NUT               | 6    |
| 4    | ICX TFLM SPRING STUD          | 5    |
| 2    | ICX TFLM SPRING-2             | 4    |
| 2    | ICX TFLM SPRING-1             | 3    |
| 1    | P4 TFLM BOLSTER INSULATOR     | 2    |
| 1    | P4 TFLM BOLSTER PLATE         | 1    |

THIS DRAWING IS A CONTROLLED DOCUMENT. DWG: 08FEB2018, JEFF WANG, CHG: 08FEB2018, BILL LV, APVD: 08FEB2018, SIMON LI, PRODUCT SPEC: -, APPLICATION SPEC: -, WEIGHT: -, CUSTOMER DRAWING

TE Connectivity

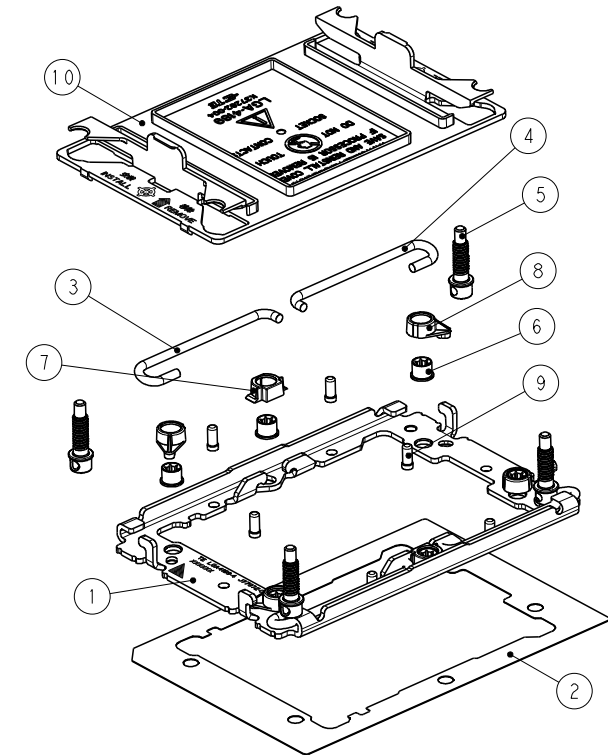
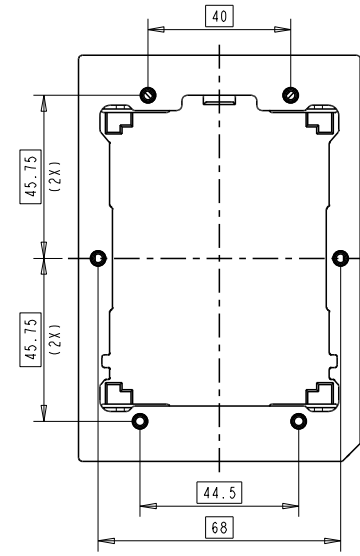
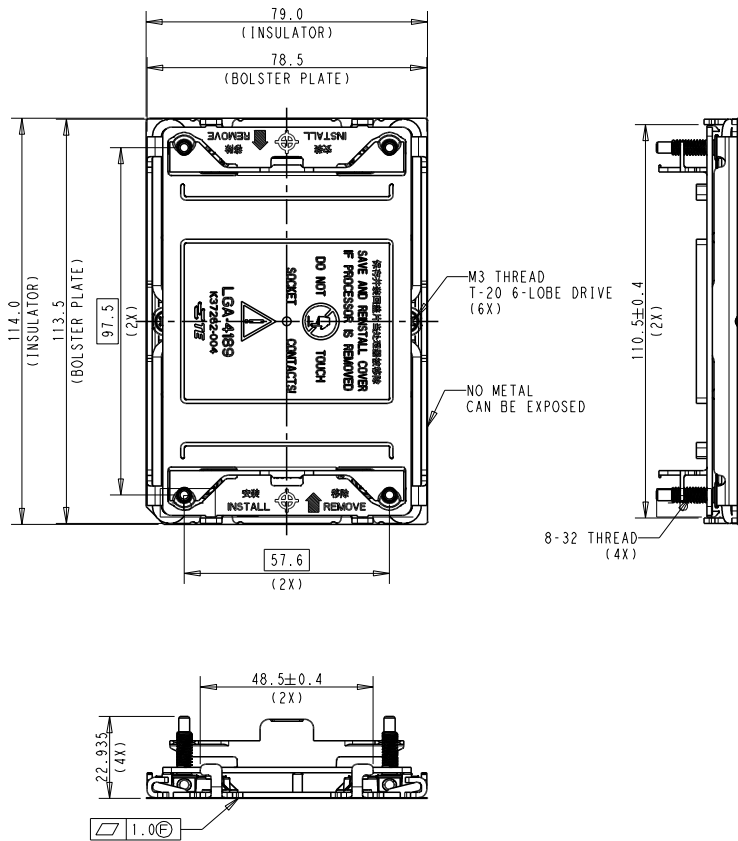
SOCKET P4 TFLM ASSY WITHOUT DUST COVER

SIZE: A200779, CAGE CODE: C-2330550, DRAWING NO: A200779, RESTRICTED TO: -

SCALE: 1:1, SHEET: 1 OF 5, REV: B1

| REVISIONS |     |             |      |          |
|-----------|-----|-------------|------|----------|
| P         | LTR | DESCRIPTION | DATE | OWN APVD |
| -         | -   | SEE SHEET 1 | -    | -        |

P/N: 2-2330550-2 AS SHOW



NOTES:

1. MATERIAL:
  - ① P4 TFLM BOLSTER PLATE: STAINLESS STEEL
  - ② P4 TFLM BOLSTER INSULATOR: POLYCARBONATE FILM PLUS ACRYLIC ADHESIVE LAYER
  - ③ ICX TFLM SPRING-1: MUSIC WIRE, NICKEL PLATING
  - ④ ICX TFLM SPRING-2: MUSIC WIRE, NICKEL PLATING
  - ⑤ ICX TFLM SPRING STUD: STAINLESS STEEL
  - ⑥ ICX TFLM M3 NUT: CARBON STEEL, NICKEL PLATING
  - ⑦ ICX TFLM NUT CAP-SIDE: THERMO-PLASTIC, UL94V-0, BLACK
  - ⑧ ICX TFLM NUT CAP: THERMO-PLASTIC, UL94V-0, BLACK
  - ⑨ ICX TFLM WIRE STOP PIN: STAINLESS STEEL
  - ⑩ DUST COVER: PC+ABS, UL94V-0, GREY
2. ASSEMBLED WITH BACKPLATE ASSEMBLY P/N: 2330551 SERIES
3. BOLSTER ASSY WITH DUST COVER, ALL DIMENSIONS ARE THE SAME AS PN 2-2330550-1.

| Q'TY | DESCRIPTION                   | ITEM |
|------|-------------------------------|------|
| 1    | DUST COVER, GREY              | 10   |
| 6    | ICX TFLM WIRE STOP PIN        | 9    |
| 4    | ICX TFLM NUT CAP, BLACK       | 8    |
| 2    | ICX TFLM NUT CAP, SIDE, BLACK | 7    |
| 6    | ICX TFLM M3 NUT               | 6    |
| 4    | ICX TFLM SPRING STUD          | 5    |
| 2    | ICX TFLM SPRING-2             | 4    |
| 2    | ICX TFLM SPRING-1             | 3    |
| 1    | P4 TFLM BOLSTER INSULATOR     | 2    |
| 1    | P4 TFLM BOLSTER PLATE         | 1    |

THIS DRAWING IS A CONTROLLED DOCUMENT. DWG: 08FEB2018  
 CHG: JEFF WANG 08FEB2018  
 BILL LV 08FEB2018  
 APVD: SIMON LI 08FEB2018

**STE** TE Connectivity

NAME: SOCKET P4 TFLM ASSY WITH DUST COVER

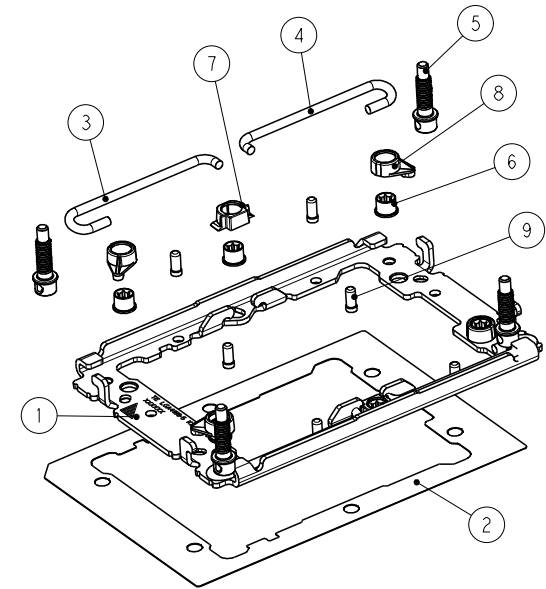
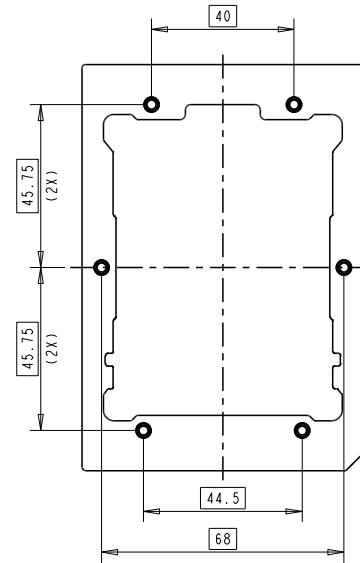
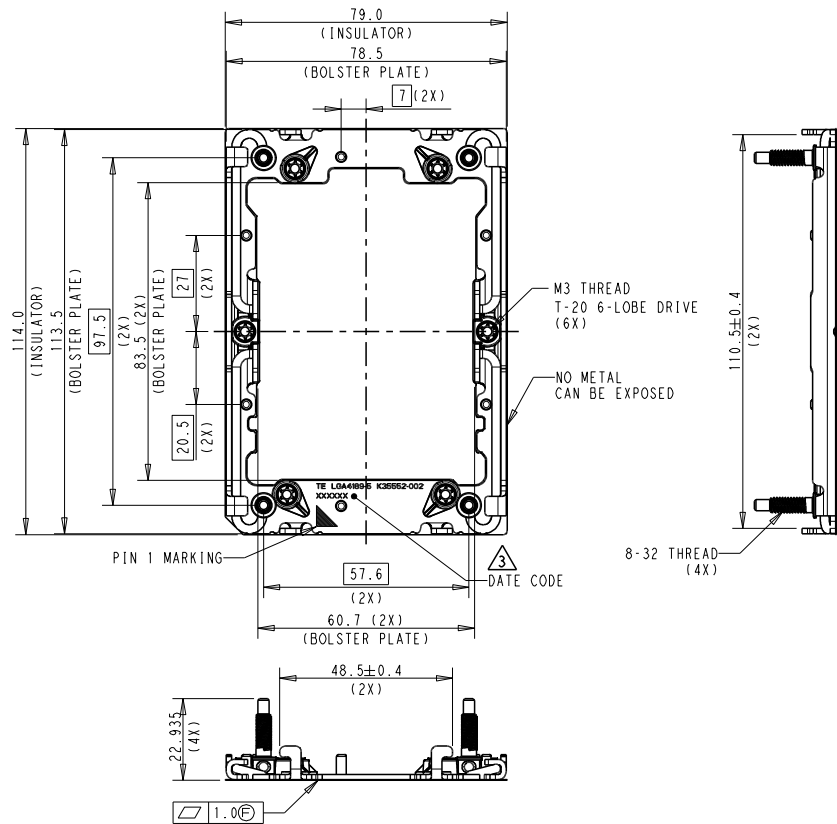
PRODUCT SPEC: -  
 APPLICATION SPEC: -  
 WEIGHT: -  
 CUSTOMER DRAWING

SIZE: A2  
 CAGE CODE: 00779  
 DRAWING NO: C-2330550

RESTRICTED TO: -  
 SCALE: 1:1  
 SHEET: 2 OF 5  
 REV: B1

| REVISIONS |     |             |      |          |
|-----------|-----|-------------|------|----------|
| P         | LTR | DESCRIPTION | DATE | DMN APVD |
| -         | -   | SEE SHEET 1 | -    | -        |

P/N: 3-2330550-1 AS SHOW



NOTES:

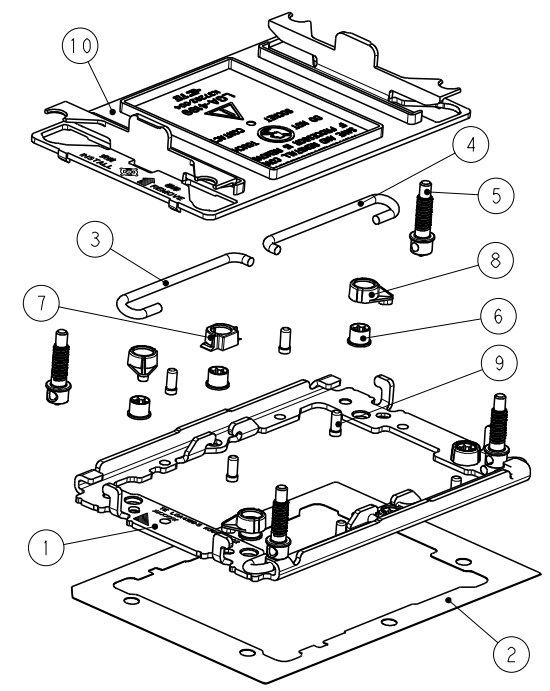
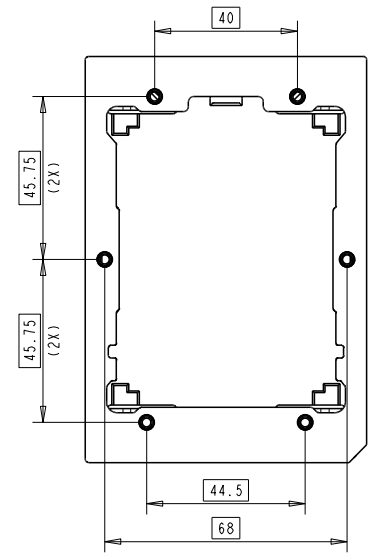
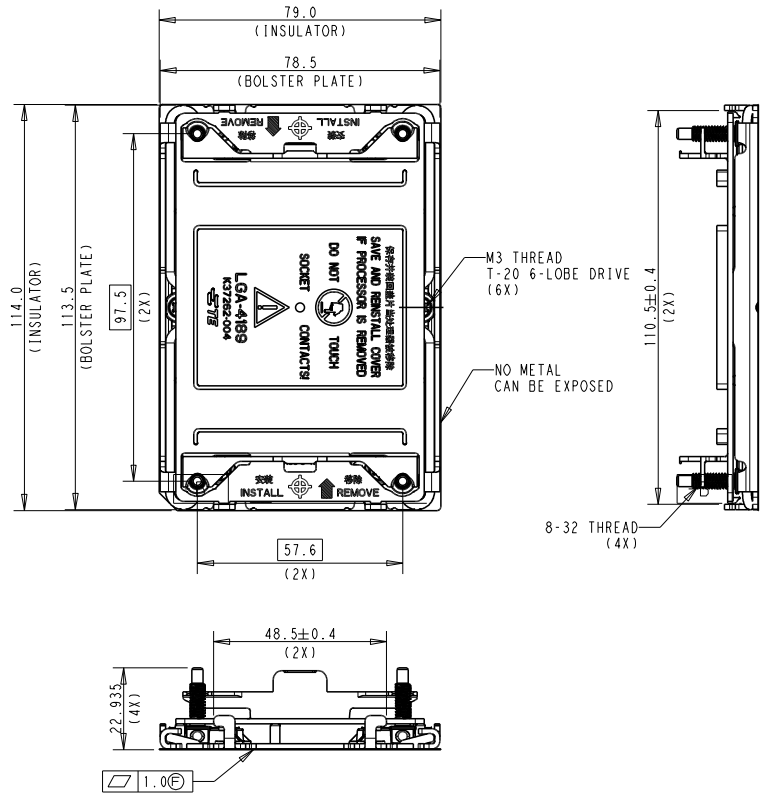
1. MATERIAL:
    - ① P5 TFLM BOLSTER PLATE: STAINLESS STEEL
    - ② P5 TFLM BOLSTER INSULATOR: -POLYCARBONATE FILM PLUS ACRYLIC ADHESIVE LAYER
  - ③ ICX TFLM SPRING-1: MUSIC WIRE, NICKEL PLATING
  - ④ ICX TFLM SPRING-2: MUSIC WIRE, NICKEL PLATING
  - ⑤ ICX TFLM SPRING STUD: STAINLESS STEEL
  - ⑥ ICX TFLM M3 NUT : CARBON STEEL, NICKEL PLATING
  - ⑦ ICX TFLM NUT CAP-SIDE: THERMO-PLASTIC, UL94V-0, GREY
  - ⑧ ICX TFLM NUT CAP: THERMO-PLASTIC, UL94V-0, GREY
  - ⑨ ICX TFLM WIRE STOP PIN: STAINLESS STEEL
2. ASSEMBLED WITH BACKPLATE ASSEMBLY P/N: 2330551 SERIES
3. INDICATED DATE CODE ON THE BOLSTER PLATE

|      |                              |      |
|------|------------------------------|------|
| 6    | ICX TFLM WIRE STOP PIN       | 9    |
| 4    | ICX TFLM NUT CAP, GREY       | 8    |
| 2    | ICX TFLM NUT CAP, SIDE, GREY | 7    |
| 6    | ICX TFLM M3 NUT              | 6    |
| 4    | ICX TFLM SPRING STUD         | 5    |
| 2    | ICX TFLM SPRING-2            | 4    |
| 2    | ICX TFLM SPRING-1            | 3    |
| 1    | P5 TFLM BOLSTER INSULATOR    | 2    |
| 1    | P5 TFLM BOLSTER PLATE        | 1    |
| Q'TY | DESCRIPTION                  | ITEM |

|  |      |                     |           |                       |      |       |      |       |      |       |      |                |  |  |
|--|------|---------------------|-----------|-----------------------|------|-------|------|-------|------|-------|------|----------------|--|--|
| THIS DRAWING IS A CONTROLLED DOCUMENT.   |      | DMN: 08FEB2018      | JEFF WANG |                       |      |       |      |       |      |       |      |                |  |  |
| DIMENSIONS: mm   |      | CHK: 08FEB2018      | BILL LY   |                       |      |       |      |       |      |       |      |                |  |  |
| TOLERANCES UNLESS OTHERWISE SPECIFIED:   |      | APVD: 08FEB2018     | SIMON LI  |                       |      |       |      |       |      |       |      |                |  |  |
| <table border="1"> <tr><td>0 PLC</td><td>±0.3</td></tr> <tr><td>1 PLC</td><td>±0.3</td></tr> <tr><td>2 PLC</td><td>±0.3</td></tr> <tr><td>3 PLC</td><td>±0.3</td></tr> <tr><td>4 PLC</td><td>±0.3</td></tr> </table> |      | 0 PLC               | ±0.3      | 1 PLC                 | ±0.3 | 2 PLC | ±0.3 | 3 PLC | ±0.3 | 4 PLC | ±0.3 | NAME: SIMON LI |  |  |
| 0 PLC  | ±0.3 |                     |           |                       |      |       |      |       |      |       |      |                |  |  |
| 1 PLC  | ±0.3 |                     |           |                       |      |       |      |       |      |       |      |                |  |  |
| 2 PLC  | ±0.3 |                     |           |                       |      |       |      |       |      |       |      |                |  |  |
| 3 PLC  | ±0.3 |                     |           |                       |      |       |      |       |      |       |      |                |  |  |
| 4 PLC  | ±0.3 |                     |           |                       |      |       |      |       |      |       |      |                |  |  |
| MATERIAL: -  |      | PRODUCT SPEC: -     |           |                       |      |       |      |       |      |       |      |                |  |  |
| -  |      | APPLICATION SPEC: - |           |                       |      |       |      |       |      |       |      |                |  |  |
| -  |      | WEIGHT: -           |           |                       |      |       |      |       |      |       |      |                |  |  |
| -  |      | CUSTOMER DRAWING    |           |                       |      |       |      |       |      |       |      |                |  |  |
| -  |      | SIZE: A200779       |           | DRAWING NO: C-2330550 |      |       |      |       |      |       |      |                |  |  |
| -  |      | SCALE: 1:1          |           | SHEET: 3 OF 5         |      |       |      |       |      |       |      |                |  |  |
| -  |      | REV: B1             |           | RESTRICTED TO: -      |      |       |      |       |      |       |      |                |  |  |

| REVISIONS |     |             |      |      |
|-----------|-----|-------------|------|------|
| P         | LTR | DESCRIPTION | DATE | APPV |
| -         | -   | SEE SHEET 1 | -    | -    |

P/N: 3-2330550-2 AS SHOW



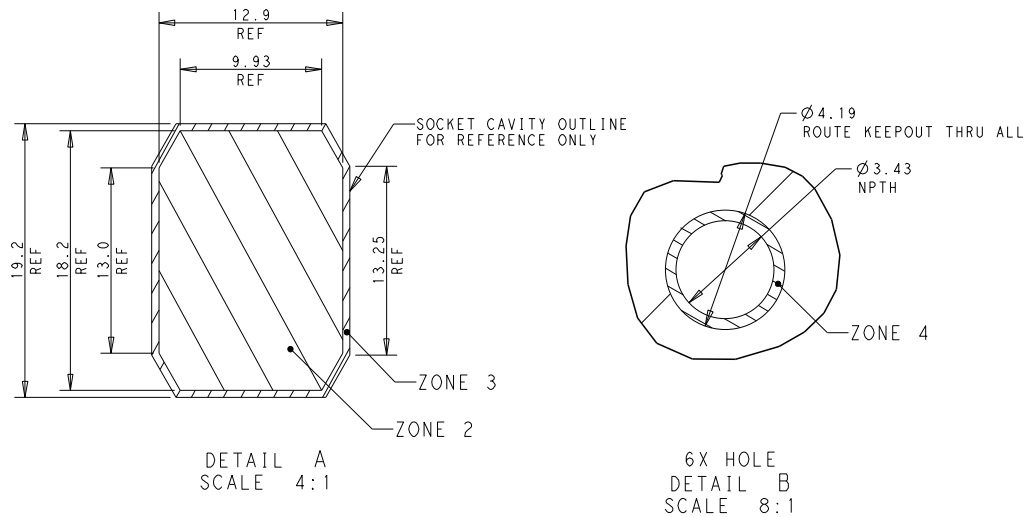
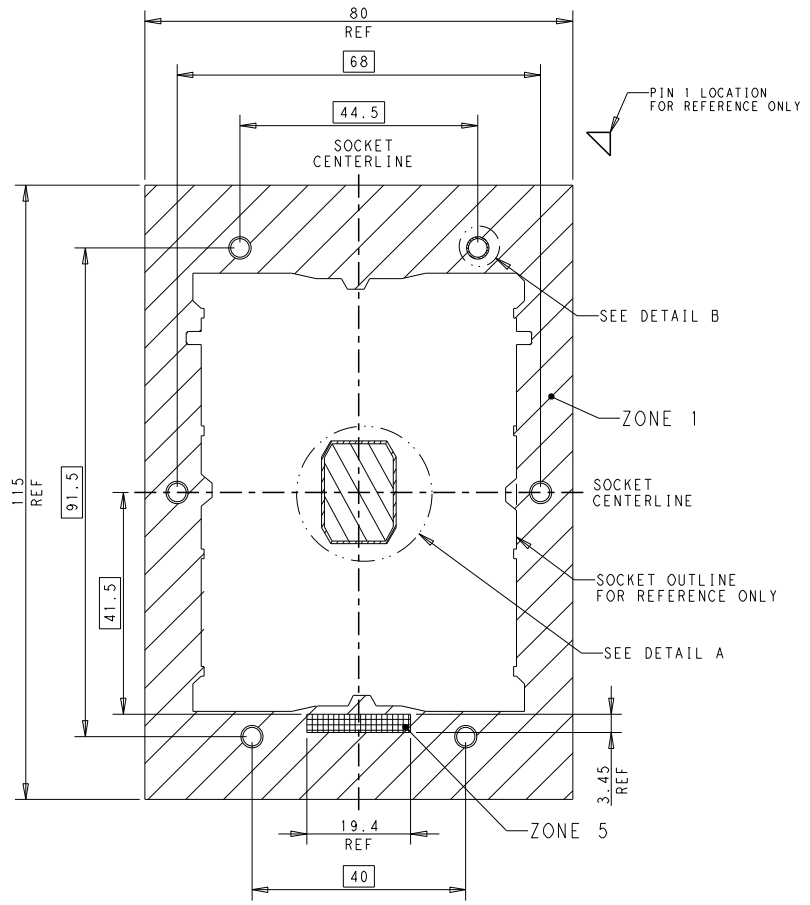
- NOTES:  
 1. MATERIAL:  
 ① P5 TFLM BOLSTER PLATE: STAINLESS STEEL  
 ② P5 TFLM BOLSTER INSULATOR:  
 -POLYCARBONATE FILM PLUS ACRYLIC ADHESIVE LAYER  
 ③ ICX TFLM SPRING-1: MUSIC WIRE, NICKEL PLATING  
 ④ ICX TFLM SPRING-2: MUSIC WIRE, NICKEL PLATING  
 ⑤ ICX TFLM SPRING STUD: STAINLESS STEEL  
 ⑥ ICX TFLM M3 NUT : CARBON STEEL, NICKEL PLATING  
 ⑦ ICX TFLM NUT CAP-SIDE: THERMO-PLASTIC, UL94V-0, GREY  
 ⑧ ICX TFLM NUT CAP: THERMO-PLASTIC, UL94V-0, GREY  
 ⑨ ICX TFLM WIRE STOP PIN: STAINLESS STEEL  
 ⑩ DUST COVER: PC+ABS,UL94V-0, GREY  
 2. ASSEMBLED WITH BACKPLATE ASSEMBLY P/N: 2330551 SERIES  
 3. BOLSTER ASSY WITH DUST COVER, ALL DIMENSIONS ARE THE SAME AS PN 3-2330550-1.

| Q'TY | DESCRIPTION                  | ITEM |
|------|------------------------------|------|
| 1    | DUST COVER, GREY             | 10   |
| 6    | ICX TFLM WIRE STOP PIN       | 9    |
| 4    | ICX TFLM NUT CAP, GREY       | 8    |
| 2    | ICX TFLM NUT CAP, SIDE, GREY | 7    |
| 6    | ICX TFLM M3 NUT              | 6    |
| 4    | ICX TFLM SPRING STUD         | 5    |
| 2    | ICX TFLM SPRING-2            | 4    |
| 2    | ICX TFLM SPRING-1            | 3    |
| 1    | P5 TFLM BOLSTER INSULATOR    | 2    |
| 1    | P5 TFLM BOLSTER PLATE        | 1    |

THIS DRAWING IS A CONTROLLED DOCUMENT.

|                  |  |   |   |  |
|------------------|--|---|---|--|
| DIMENSIONS<br>mm | TOLERANCES UNLESS OTHERWISE SPECIFIED:<br>0 PLC ±0.3<br>1 PLC ±0.3<br>2 PLC ±0.3<br>3 PLC ±0.3<br>4 PLC ±0.3<br>ANGLES<br>FINISH | APPROVALS<br>DRW: JEFF WANG 08FEB2018<br>CHK: BILL LY 08FEB2018<br>APVO: SIMON LI 08FEB2018 | NAME: SIMON LI<br>PRODUCT SPEC: -<br>APPLICATION SPEC: -<br>WEIGHT: -<br>CUSTOMER DRAWING | TE Connectivity<br>SOCKET P5 TFLM ASSY WITH DUST COVER<br>SIZE: A200779 CAGE CODE: C-2330550<br>SCALE: 1:1 SHEET: 4 OF 5 REV: B1 |
|------------------|--|---|---|--|

| REVISIONS |     |             |      |          |
|-----------|-----|-------------|------|----------|
| P         | LTR | DESCRIPTION | DATE | OWN APVD |
| -         | -   | SEE SHEET 1 | -    | -        |



| KOZ LEGEND |   |
|------------|---|
|            | ZONE 1: BOLSTER PLATE ZONE, NO OTHER COMPONENT PLACEMENT ALLOWED, 0.0MM HEIGHT RESTRICTION          |
|            | ZONE 2: SOCKET CAVITY 1.222 MM MAX HEIGHT RESTRICTION   |
|            | ZONE 3: SOCKET CAVITY TO SOCKET ZONE NO OTHER COMPONENT PLACEMENT ALLOWED, 0.0MM HEIGHT RESTRICTION |
|            | ZONE 4: NO ROUTE ZONE, THROUGH ALL LAYERS   |
|            | ZONE 5: PRIMARY SIDE COMPONENT PLACEMENT ZONE MAX. COMPONENT HEIGHT OF 1.5MM                        |

REFERENCE BOLSTER KEEPOUT ZONE

FOR GENERAL BOARD DESIGN, PLEASE REFER TO THE THERMAL AND MECHANICAL DESIGN GUIDELINES PROVIDED BY INTEL

|   |  |                             |                       |
|---|--|-----------------------------|-----------------------|
| THIS DRAWING IS A CONTROLLED DOCUMENT.  |  | DMN: JEFF WANG 08FEB2018    | TE Connectivity       |
| DIMENSIONS: mm  |  | CHK: BILL LV 08FEB2018      |                       |
|   |  | APVD: SIMON LI 08FEB2018    |                       |
| TOLERANCES UNLESS OTHERWISE SPECIFIED:<br>0 PLC ±0.3<br>1 PLC ±0.3<br>2 PLC ±0.3<br>3 PLC ±0.3<br>4 PLC ±0.3<br>ANGLES ±0.3<br>FINISH - |  | NAME: SOCKET P4/P5 TFLM KOZ | SIZE: A2              |
| MATERIAL: -   |  | APPLICATION SPEC: -         | CAGE CODE: 200779     |
| -   |  | WEIGHT: -                   | DRAWING NO: C-2330550 |
| -   |  | CUSTOMER DRAWING            | RESTRICTED TO: -      |
|   |  | SCALE: 3:2                  | SHEET: 5 OF 5         |
|   |  |                             | REV: B1               |