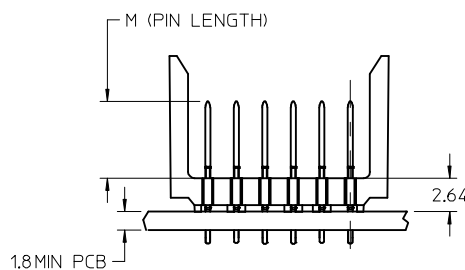
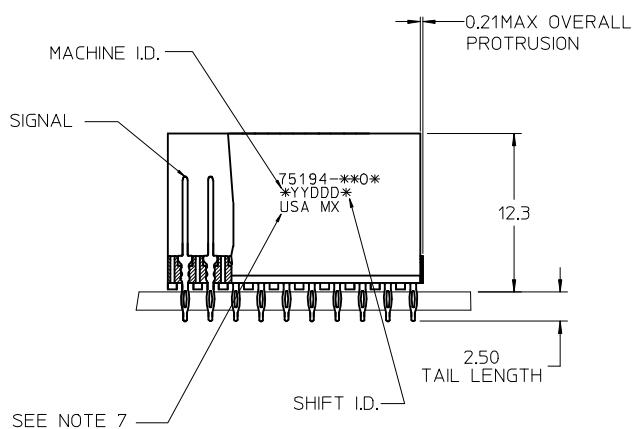


BACKPLANE HOLE PATTERN
RECOMMENDED DIMENSIONS

NOTES:

- MATERIALS:
HOUSING - LIQUID CRYSTAL POLYMER (LCP),
GLASS-FILLED, UL 94V-0, COLOR: BLACK
SIGNAL PIN - COPPER ALLOY
- FINISHES:
CONTACT AREA: SELECTIVE GOLD (Au)
PCB TAILS: SELECTIVE MATTE TIN (Sn)
NICKEL (Ni) UNDERPLATE OVERALL.
- THIS PART CONFORMS TO MOLEX PRODUCT
SPECIFICATION PS-74031-999
- FOR MIXED CONTACT LENGTHS CONSULT
MOLEX FOR AVAILABILITY
- FOR SPECIFIC MATERIAL NUMBERS & MATING
INFORMATION REFER TO SHEET 2
- PACKAGE PER PK-74057-003
- EITHER MARK PART WITH PART NUMBER & DATE
CODE APPROXIMATELY WHERE SHOWN OR PLACE
LABEL ON THE TUBE.
- MAPS (MOLEX ADVANCE PLATING SYSTEMS).



THE PRIMARY CARTON WITH A LABEL STATING
"ELV AND RoHS COMPLIANT" IS LEAD FREE.
CARTONS WITHOUT THIS LABEL MAY CONTAIN LEAD.

LEAD FREE CONVERSION EC NO: UCP2013-0687 DRAWN BY: DRWIN/MOLFE CHECKED BY: CHYKSWANG APPROVED BY: APPRS/MILLER DATE: 2012/08/17 DATE: 2012/08/17 DATE: 2012/12/14	QUALITY SYMBOLS	GENERAL TOLERANCES (UNLESS SPECIFIED)	DIMENSION STYLE	SCALE	DESIGN UNITS	THIRD ANGLE PROJECTION
	▽=0	mm INCH	MM ONLY	2:1	METRIC	☉
	▽=0	4 PLACES ± ---	DRAWN BY: MBANDURA	DATE: 2002/12/18	TITLE: VHDM LITE 6 ROW, LF OPEN END BACKPLANE SALES DRAWING	
	▽=0	3 PLACES ± 0.25	CHECKED BY: NMARTIN	DATE: 2002/12/18	molex	
	2 PLACES ± 0.38	1 PLACE ± ---	APPROVED BY: SMILLER	DATE: 2012/08/10	DOCUMENT NO. SD-75194-001	SHEET NO. 1 OF 2
	0 PLACE ± ---	ANGULAR ±1/2°	MATERIAL NO. SEE SHT.2	THIS DRAWING CONTAINS INFORMATION THAT IS PROPRIETARY TO MOLEX INCORPORATED AND SHOULD NOT BE USED WITHOUT WRITTEN PERMISSION		

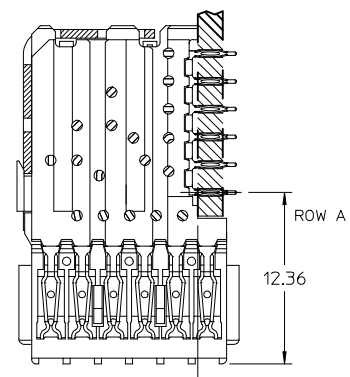
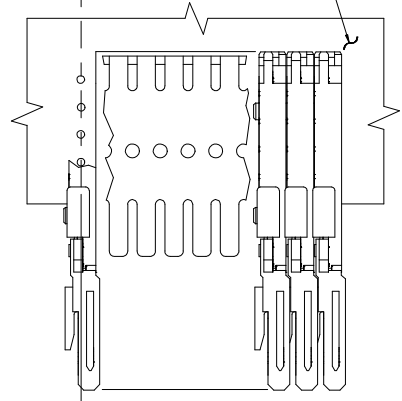
MATERIAL NUMBER ASSIGNMENT

75194- **0*

PIN LENGTH *M/
GOLD THICKNESS.
SEE TABLE

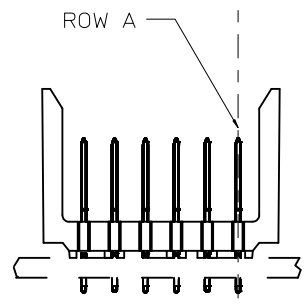
NUMBER OF COLUMNS/PLATING
 10 = 10 COLUMN MATTE TIN (FORMERLY TIN/LEAD)
 25 = 25 COLUMN MATTE TIN (FORMERLY TIN/LEAD)
 60 = 10 COLUMN MATTE TIN (MAPS)
 75 = 25 COLUMN MATTE TIN (MAPS)
 90 = 10 COLUMN MATTE TIN
 85 = 25 COLUMN MATTE TIN

SIGNAL COLUMN
 DAUGHTERCARD CONNECTOR SIDE



0.41 OFFSET
SIGNAL TO SIGNAL

0.66
TOP DAUGHTERCARD
PCB TO ϕ ROW A



PART NUMBER	COLUMN	NUMBER OF SIGNAL PIN	NUMBER OF SHIELD	A	B	M	GOLD THICKNESS MICROMETER	TIN THICKNESS MICROMETER
75194-6001							0.25 MAPS	0.76-1.52
75194-*001	10	60	10	20.00	18.00	4.75	0.76	
75194-*006							1.27	
75194-7501							0.25 MAPS	
75194-*501	25	150	25	50.00	48.00	6.25	0.76	
75194-*506							1.27	
75194-6002							0.25 MAPS	
75194-*002	10	60	10	20.00	18.00	4.25	0.76	
75194-*007							1.27	
75194-7502							0.25 MAPS	
75194-*502	25	150	25	50.00	48.00	5.15	0.76	
75194-*507							1.27	
75194-6003							0.25 MAPS	
75194-*003	10	60	10	20.00	18.00	4.25	0.76	
75194-*008							1.27	
75194-7503							0.25 MAPS	
75194-*503	25	150	25	50.00	48.00	5.15	0.76	
75194-*508							1.27	
75194-6004							0.25 MAPS	
75194-*004	10	60	10	20.00	18.00	4.25	0.76	
75194-*009							1.27	
75194-7504							0.25 MAPS	
75194-*504	25	150	25	50.00	48.00	5.15	0.76	
75194-*509							1.27	

SEE SHEET 1 EIC NO: UCP2013-0687 DRAWN BY: CHYKSWANG CHECKED BY: APPR:SMILLER DATE: 2012/08/17 DATE: 2012/12/14	QUALITY SYMBOLS	GENERAL TOLERANCES (UNLESS SPECIFIED)	DIMENSION STYLE	SCALE	DESIGN UNITS	THIRD ANGLE PROJECTION
	▽=0 ▽=0 ▽=0	mm INCH 4 PLACES ±--- ±--- 3 PLACES ±--- ±--- 2 PLACES ±0.25 ±--- 1 PLACE ±0.38 ±--- 0 PLACE ±--- ±---	MM ONLY	2:1	METRIC	TITLE: VHDM LITE 6 ROW, LF OPEN END BACKPLANE SALES DRAWING molex
	ANGULAR ±1/2° DRAFT WHERE APPLICABLE MUST REMAIN WITHIN DIMENSIONS	MATERIAL NO. SEE TABLE DATE: 2012/12/18 DATE: 2012/12/18 DATE: 2012/08/10	DOCUMENT NO. SD-75194-001 SHEET NO. 2 OF 2			
	THIS DRAWING CONTAINS INFORMATION THAT IS PROPRIETARY TO MOLEX INCORPORATED AND SHOULD NOT BE USED WITHOUT WRITTEN PERMISSION					