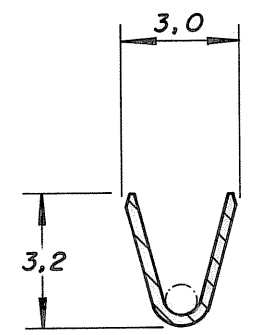
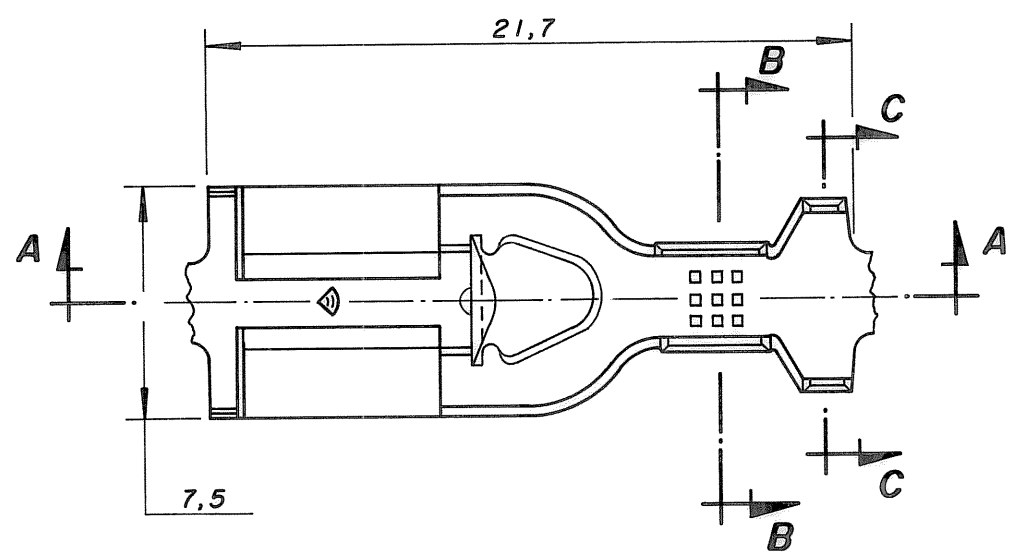
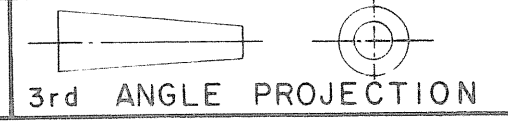


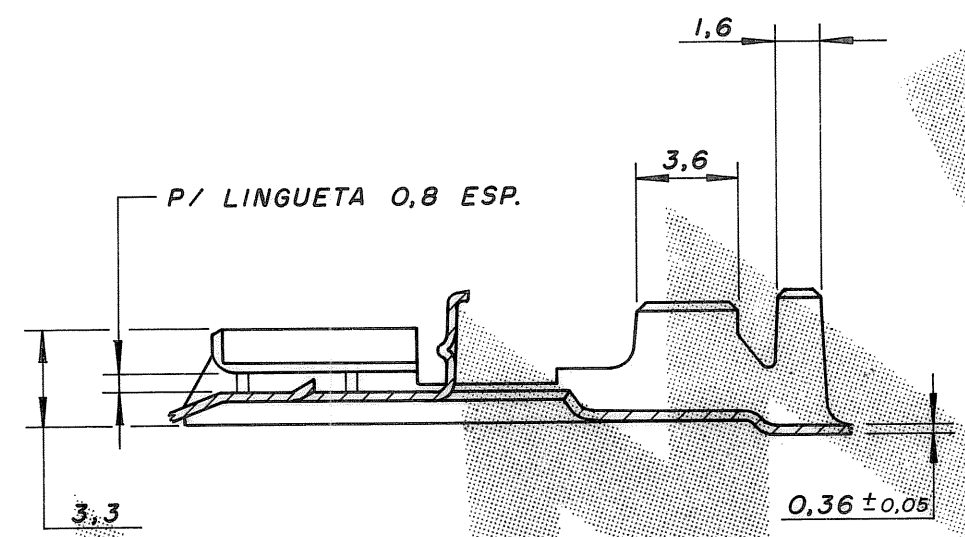
C 626581 1-1

DO NOT SCALE
DIMENSIONS IN mm

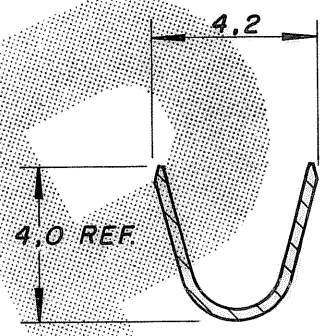
METRIC



SEÇÃO "BB"



SEÇÃO "AA"



SEÇÃO "CC"

—	PRÉ-ESTANHADO	LATÃO	626581-2
—	—	LATÃO	626581-1
OTHER TREATMENT	FINISH	MATERIAL	PART NUMBER
CUSTOMER DWG for REFERENCE ONLY			
THIS DRAWING IS UNPUBLISHED RELEASED FOR PUBLICATION 19 © COPYRIGHT 19 BY AMP DO BRASIL LTDA S.P. ALL INTERNATIONAL RIGHTS RESERVED AMP PRODUCTS MAY BE COVERED BY U.S. AND FOREIGN PATENTS AND/OR PATENTS PENDING.			
TOLERANCES UNLESS OTHERWISE STATED		INS. DIA. RANGE	WIRE RANGE
DEC. ± 0,4		02,1 - 2,9 mm	05 - 1,5 mm ²
ANGLES ± 1°		SCALE	
DR. VALTER		do BRASIL LTDA. São Paulo, Brasil	
CHK [Signature] 07 AUG 85		DESCRIPTION	
C REV. ECO-JO-009283 HC WLS MAY 10		POSITIVE LOCK RECEPT. MK II .250 S.	
BI ECO-09-026444 KK AEG NOV 09		DWG NO	
B HEDESENHADO C/ MODIF. V.S. T.V. 02.12.86		A3 C 626581	
ISS	REVISION	RECORD	SHEET
DR	CHK	DATE	1 OF 1