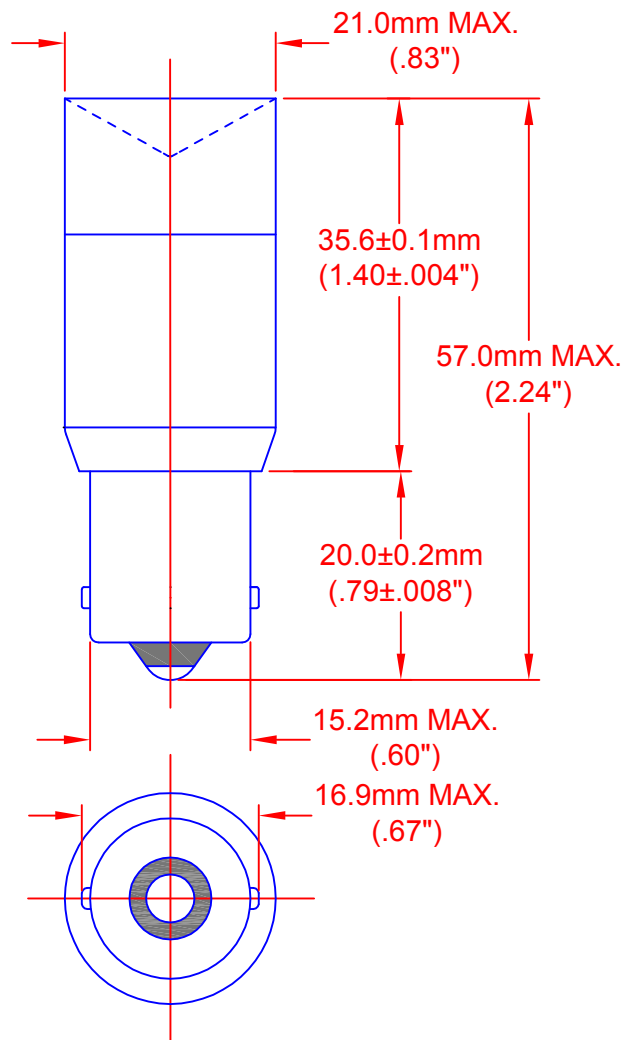


FEATURES

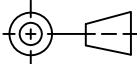
- 15S Bayonet Base - Non-Polarized
- Wide Input Voltage Range
 - 10 - 30V DC
 - 10 - 24V AC
- Low Power Usage
- Efficacy of 58Lm/Watt
- Viewing Angle 100°
- Color Temperature 3000°k
- CRI >80



TYPICAL ELECTRICAL & OPTICAL OPERATING CHARACTERISTICS (Ta = 25 degree C)

JKL PART NUMBER	VOLTAGE AC/DC			WATTS			LUMINOUS INTENSITY Lm
	MIN	NOM	MAX	MIN	NOM	MAX	
LE-BA15S-12WW	10	12	30	1.75	2.2	2.5	130

JKL PART NUMBER: LE-BA15S-12WW

METRIC  THIRD ANGLE PROJECTION		DIMENSIONS ARE MILLIMETER/INCH TOLERANCE UNLESS OTHERWISE SPECIFIED 1 PL +/- REF. 2 PL +/- REF. ANGLE +/-		JKL COMPONENTS CORPORATION					
CHANGE PART NO. ON CHART 4/30/16		DRAWN BY L. WENGSTROM		APPV'D BY DATE L.R. 4/30/16		TITLE 15S SINGLE BAYONET BASE LED LAMP			
ADD TO FEATURES AND CHANGE CHART 2/6/16		RELEASED 11/10/15		SIZE A	FSCM NO. 55335	DRAWING NO. LE-BA15S-12WW			
REV. NO.	DESCRIPTION/ECO NUMBER	APPV'D DATE	- CAD DRAWING - MANUAL REVISIONS NOT PERMITTED		SCALE NONE	RELEASED DATE 11/10/15	REVISION DATE 4/30/16	REV. NO. C	SHEET 1 OF 1