

丸形

Round Type

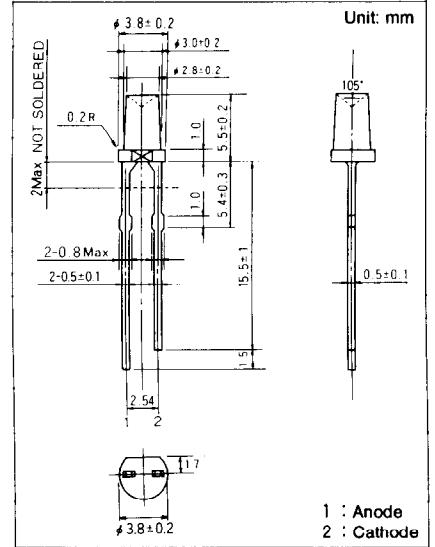
φ 2.8mm Series

Type No.	Lighting Color
LN263CPP	Red
LN363GCPP	Green
LN463YCPP	Amber
LN863RCPP	Orange

絶対最大定格 Absolute Maximum Ratings (Ta=25 °C)

Lighting Color	P _D (mW)	I _F (mA)	I _{FP} (mA)*	V _R (V)	Topr (°C)	Tstg (°C)
Red	70	25	150	4	-25~+85	-30~+100
Green	90	30	150	4	-25~+85	-30~+100
Amber	90	30	150	4	-25~+85	-30~+100
Orange	90	30	150	3	-25~+85	-30~+100

* I_{FP} の条件は、 duty 10%, Pulse width 1 msec. The condition of I_{FP} is duty 10%, Pulse width 1 msec



電気的光学的特性 Electro-Optical Characteristics (Ta=25 °C)

Type No.	Lighting Color	Lens Color	I _O			V _F		λ _p	Δλ	I _F	I _R	
			Typ.	Min.	I _F	Typ.	Max.	Typ.	Typ.		I _F	Max.
LN263CPP	Red	Clear	0.4	0.15	15	2.2	2.8	700	100	20	5	4
LN363GCPP	Green	Green Clear	1.0	0.40	20	2.2	2.8	565	30	20	10	4
LN463YCPP	Amber	Amber Clear	0.8	0.30	20	2.2	2.8	590	30	20	10	4
LN863RCPP	Orange	Red Clear	1.0	0.40	20	2.1	2.8	630	40	20	10	3
Unit			mcd	mcd	mA	V	V	nm	nm	mA	μA	V

