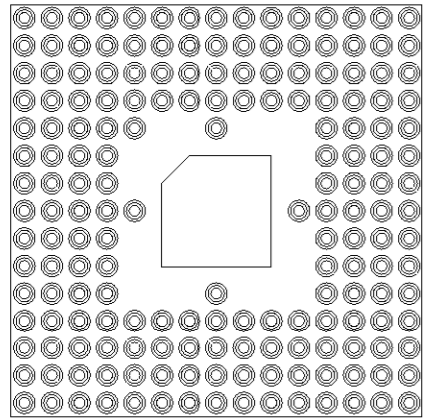


DRAWING NO
C - 210218



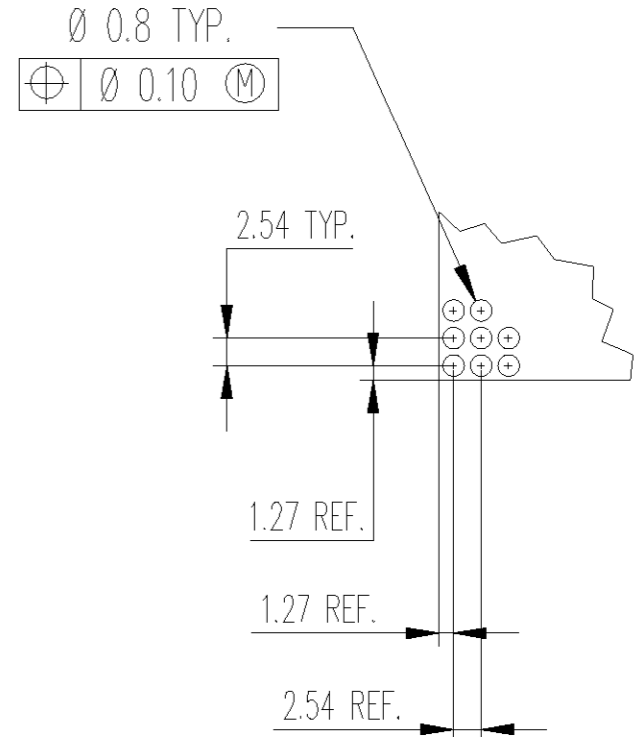
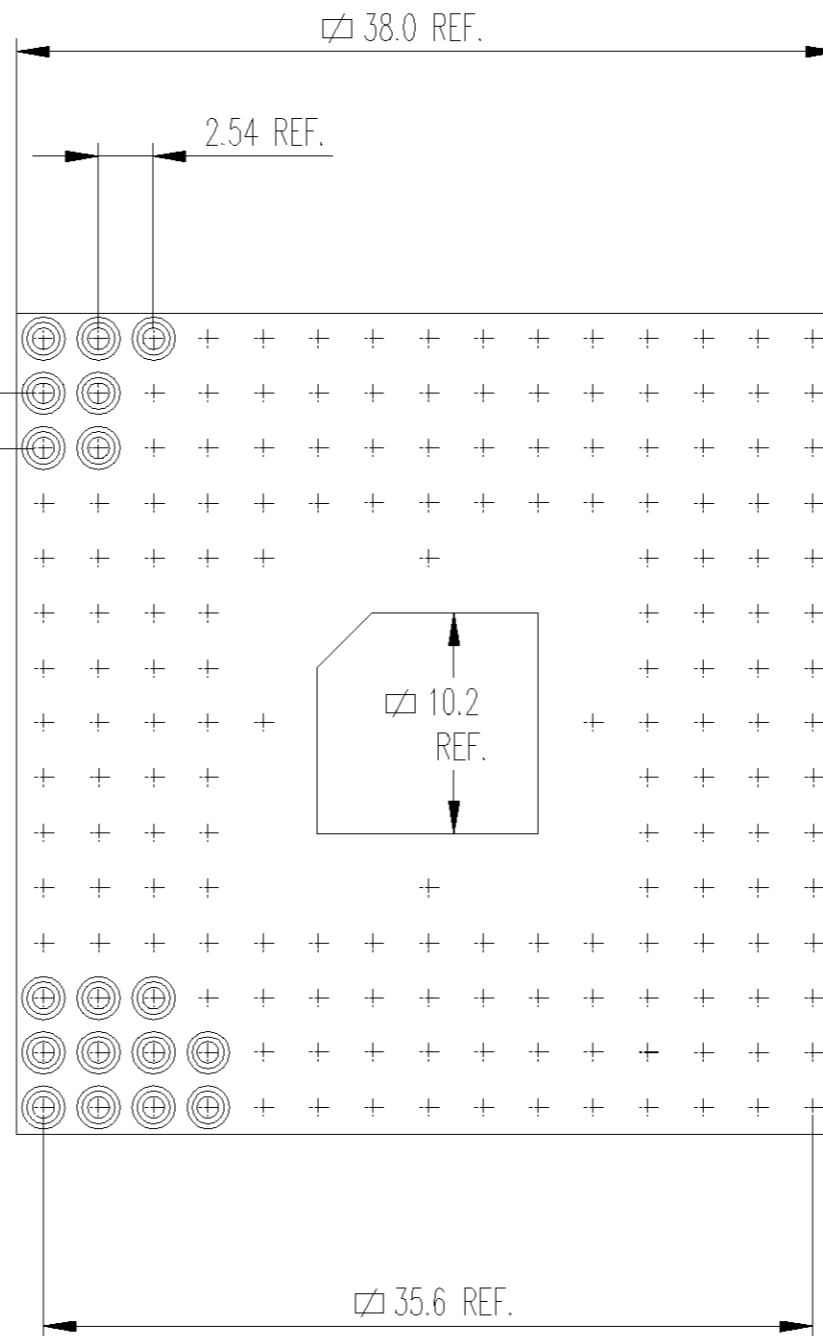
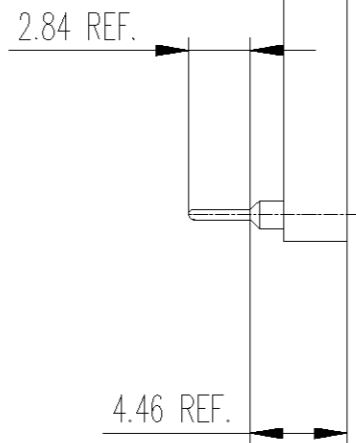
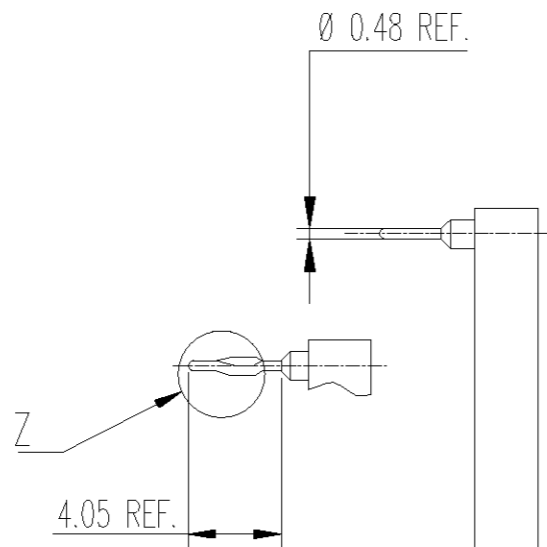
181 positions
Ech. 1:1

NOTE :

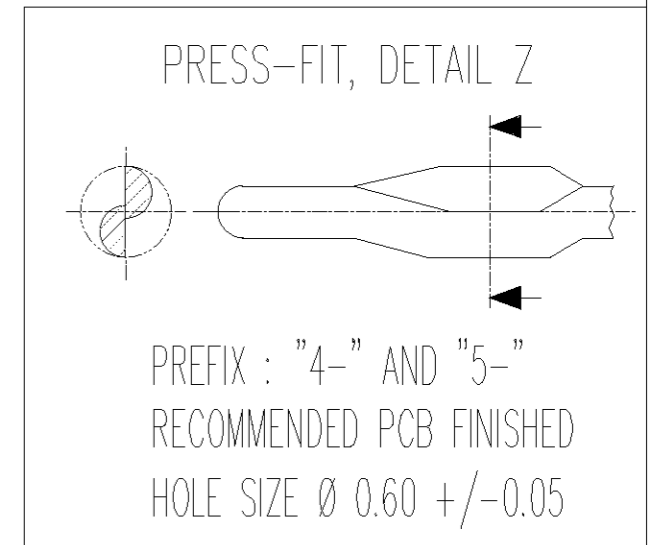
1. MATERIAL
 - INSULATOR : GLASSFILLED THERMOPLASTIC POLYESTER
 - SOLDER TAIL SLEEVE : BRASS
 - PRESS-FIT SLEEVE : PHOSPHOR BRONZE
 - CLIP : STAMPED BERYLLIUM COPPER
2. SLEEVE PLATING:
 - PREFIX "0-" AND "2-": 5µm Sn/Pb OVER 2-3µm Ni
 - PREFIX "1-" AND "3-": 0.25µm Au OVER 2-3µm Ni
 - PREFIX "4-" AND "5-": 3µm Sn/Pb OVER 2-3µm Ni
3. INNER CONTACT PLATING
 - SUFFIX "-1" 0.25µm 18c. Au
 - SUFFIX "-3" 0.75µm 18c. Au
 - SUFFIX "-4" 0.75µm 24c. Au
 - SUFFIX "-5" 5µm MIN. Sn/Pb **
 - SUFFIX "-6" 0.1µm FLASH 24c. Au
- ** ONLY WITH PREFIX "0-", "2-", "4-" AND "5-"
4. INNER SPRING CONTACT ACCEPT Ø 0.40 TO 0.56
OR RECTANGULAR PIN 0.25 x 0.45
5. INSERTION CHARACTERISTICS:
 - PREFIX "0-", "1-" AND "4-" : VERY LOW FORCE
 - PREFIX "2-", "3-" AND "5-" : ULTRA LOW FORCE
6. MECHANICAL DATA WITH A Ø 0.43 TEST PIN :

	VLI	ULI
-MAX. INSERTION FORCE :	0.7N	0.2N
-MIN. EXTRACTION FORCE :	0.1N	0.05N
-MECHANICAL LIFE :	100 CYCLES MIN.	

WAS 700-181-15-0-CC AND CCAP
WAS ON DRAWING 345625



RECOMMENDED P.C.
BOARD PATTERN



DIMENSIONS	mm							
SURFACE TEXTURE								
CONCENTRICITY	0.15							
PRODUCT SPEC.		P	REV	ECN	DRWN	DATE	APVD	



DSM DECOLLETAGE SA SAINT-MAURICE
CH 1890 SAINT-MAURICE (VS)

DRAWN P.-A. MEIER 01 MAR 99
CHECKED A. BOLIS 02 MAR 99
APPROVED

CUSTOMER DRAWING
FOR REFERENCE ONLY

THIS INFORMATION IS CONFIDENTIAL AND IS DISCLOSED TO YOU ON CONDITION THAT NO FURTHER DISCLOSURE IS MADE BY YOU TO OTHER THAN AMP PERSONNEL WITHOUT WRITTEN AUTHORIZATION FROM DSM SWITZERLAND.

NAME
OPEN FRAME PGA
15 x 15, 181 SOCKETS

LOC EK	SCALE 2/1	SIZE A4	DRAWING NO C- 210218	SHEET 1 of 1	REVISION B
--------	-----------	---------	----------------------	--------------	------------