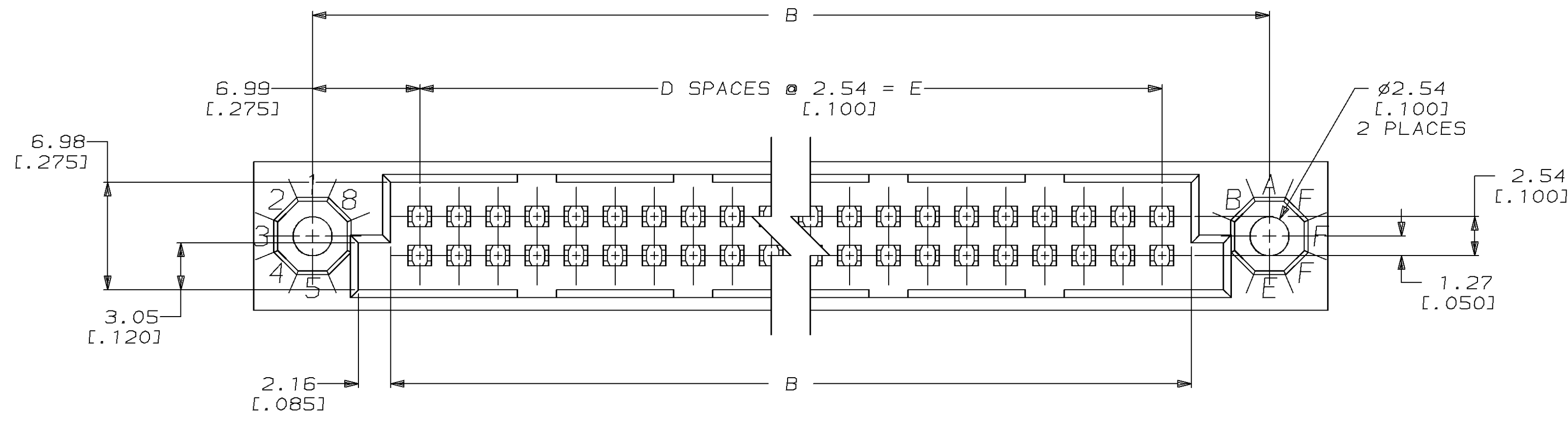
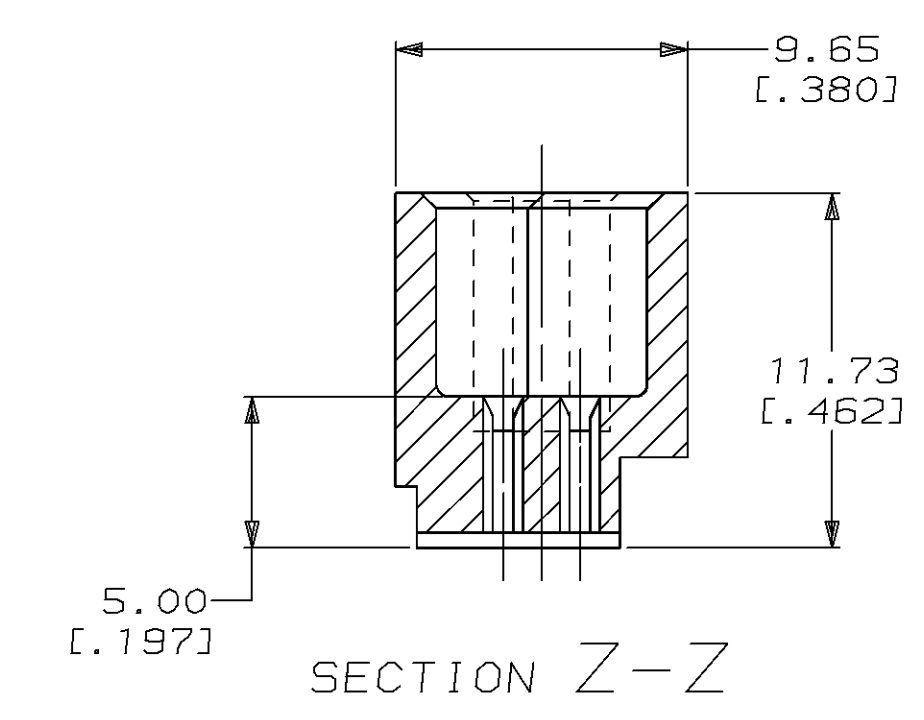
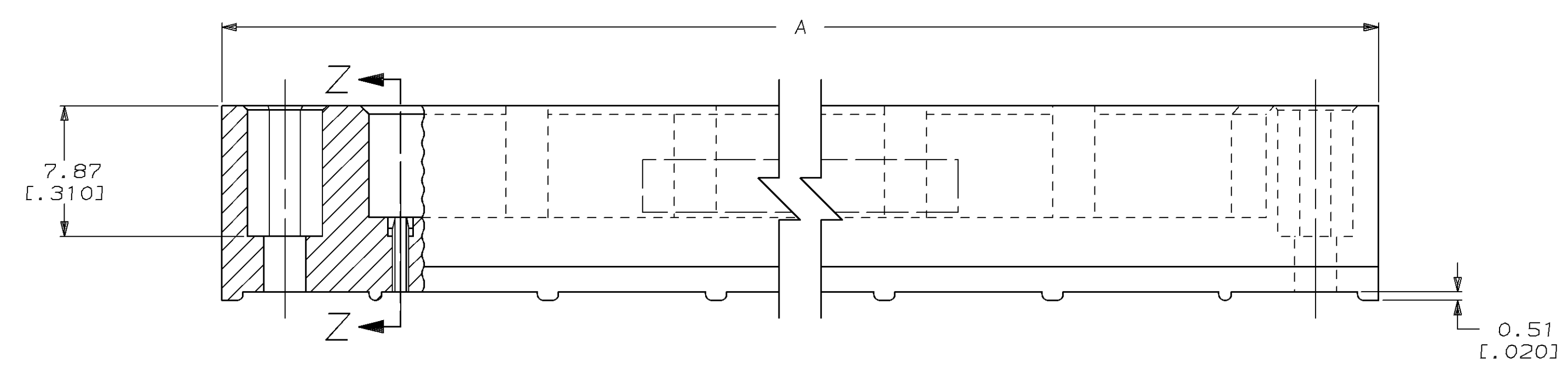


LOC		DIST		REVISIONS			
AD	25	P	LTR	DESCRIPTION	DATE	DMN	APVD
		0		DRAWN	11-8-94	TS	GS
		A		PER EC 0257-95	2-20-95	TS	GS



⚠ MATERIAL: THERMOPLASTIC, COLOR: NATURAL.



251.46 [9.900]	99	255.27 [10.050]	265.43 [10.450]	273.05 [10.750]	200	1-532417-9
149.86 [5.900]	59	153.67 [6.050]	163.83 [6.450]	171.45 [6.750]	120	1-532417-1
E	D	C	B	A	NUMBER OF POSITIONS	PART NUMBER

THIS DRAWING IS A CONTROLLED DOCUMENT FOR AMP INCORPORATED. IT IS SUBJECT TO CHANGE AND THE CONTROLLING ENGINEERING ORGANIZATION SHOULD BE CONTACTED FOR THE LATEST REVISION.

AMP INCORPORATED
 Harrisburg, PA 17105-3608

DESIGNED BY: T. SHUEY
 DRAWN BY: G. SKIPPER
 CHECKED BY: G. SKIPPER
 DATE: 11-9-94

PRODUCT SPEC: HOUSING, PIN, HDI, 2 ROW
 APPLICATION SPEC: A1 00779
 DRAWING NO: C-532417
 SCALE: 4:1
 SHEET: 1 OF 1
 REV: A

MATERIAL: THERMOPLASTIC, COLOR: NATURAL