



AMP-IN

TE Internal #: 350566-7

PCB Terminals, PCB Pin, PCB Hole Diameter 1.83 mm [.072 in], 22 – 18 AWG Wire Size, .3 – .9 mm² Wire Size, Through Hole - Solder, Tin Plating, Nickel

[View on TE.com >](#)

Terminals & Splices > PCB Terminals



PCB Terminal Type: **PCB Pin**

PCB Thickness (Recommended): **1.57 mm [.062 in]**

PCB Hole Diameter: **1.83 mm [.072 in]**

Compatible Insulation Diameter (Max): **2.79 mm [.11 in]**

Compatible Insulation Diameter Range: **1.52 – 2.79 mm [.06 – .11 in]**

Features

Product Type Features

Terminal Features	Stud Hole
Wire Insulation Support Retention Type	Insulation Support

Contact Features

Contact Underplating Material Thickness	1.01 µm[40 µin]
Contact Mating Area Plating Material Thickness	3.04 µm[120 µin]
PCB Terminal Type	PCB Pin
Terminal Plating Material	Tin
Contact Underplating Material	Nickel
Terminal Size	Miniature
Terminal Orientation	Straight

Termination Features

Termination Method to Printed Circuit Board	Through Hole - Solder
Product Terminates To	Printed Circuit Board

Mechanical Attachment



Wire Insulation Support	With
-------------------------	------

Dimensions

Extension Below Board	3.43 mm [.135 in]
PCB Thickness (Recommended)	1.57 mm [.062 in]
PCB Hole Diameter	1.83 mm [.072 in]
Compatible Insulation Diameter (Max)	2.79 mm [.11 in]
Compatible Insulation Diameter Range	1.52 – 2.79 mm [.06 – .11 in]
Wire Size	.3 – .9 mm ²

Usage Conditions

Insulation Option	Uninsulated
Operating Temperature Range	-55 – 105 °C [-67 – 221 °F]

Packaging Features

Packaging Quantity	7000
Packaging Method	Package

Other

Terminals & Splices Comment	.2 brass material.
-----------------------------	--------------------

Product Compliance

[For compliance documentation, visit the product page on TE.com>](#)

EU RoHS Directive 2011/65/EU	Compliant
EU ELV Directive 2000/53/EC	Compliant
China RoHS 2 Directive MIIT Order No 32, 2016	No Restricted Materials Above Threshold
EU REACH Regulation (EC) No. 1907/2006	Current ECHA Candidate List: JUNE 2023 (235) Candidate List Declared Against: JAN 2023 (233) Does not contain REACH SVHC
Halogen Content	Low Halogen - Br, Cl, F, I < 900 ppm per homogenous material. Also BFR/CFR/PVC Free
Solder Process Capability	Wave solder capable to 265°C

Product Compliance Disclaimer

This information is provided based on reasonable inquiry of our suppliers and represents our current actual knowledge based on the information they provided. This information is subject to change. The part numbers that TE has identified as EU RoHS compliant have a maximum concentration of 0.1% by weight in homogenous materials for lead, hexavalent

chromium, mercury, PBB, PBDE, DBP, BBP, DEHP, DIBP, and 0.01% for cadmium, or qualify for an exemption to these limits as defined in the Annexes of Directive 2011/65/EU (RoHS2). Finished electrical and electronic equipment products will be CE marked as required by Directive 2011/65/EU. Components may not be CE marked. Additionally, the part numbers that TE has identified as EU ELV compliant have a maximum concentration of 0.1% by weight in homogenous materials for lead, hexavalent chromium, and mercury, and 0.01% for cadmium, or qualify for an exemption to these limits as defined in the Annexes of Directive 2000/53/EC (ELV). Regarding the REACH Regulation, the information TE provides on SVHC in articles for this part number is based on the latest European Chemicals Agency (ECHA) 'Guidance on requirements for substances in articles' posted at this URL: <https://echa.europa.eu/guidance-documents/guidance-on-reach>

Compatible Parts



TE Part # 2305570-1
Strip Terminal Cutter-Side Feed-No Crimp



TE Part # 640311-5
MINI AMP-IN 22-18 AWG POST TIN PLTD



TE Part # 154645-2
AMP-IN TERMINAL



TE Part # 2-2151115-1
OCEAN_2.0_Applicator-S-062F110F



TE Part # 2-2151115-2
OCEAN_2.0_Applicator-S-062F110F



TE Part # 2151115-1
OCEAN_2.0_Applicator-S-062F110F



TE Part # 2151115-2
OCEAN_2.0_Applicator-S-062F110F



TE Part # 7-2151115-1
OCEAN_2.0_Applicator-S-062F110F



TE Part # 7-2151115-2
OCEAN_2.0_Applicator-S-062F110F



TE Part # 7-2151115-7
OCEAN_2.0_SPARE_PART_KIT-062F110F

Customers Also Bought



TE Part #3-2176091-8
RP 2A 0.25W 140R 0.1% 25PPM 1K RL



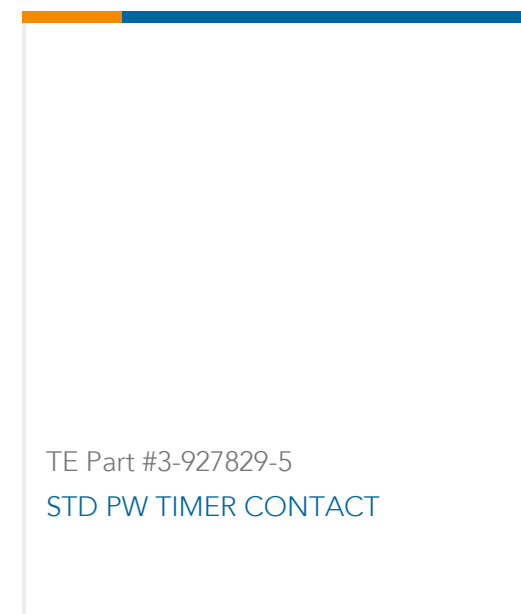
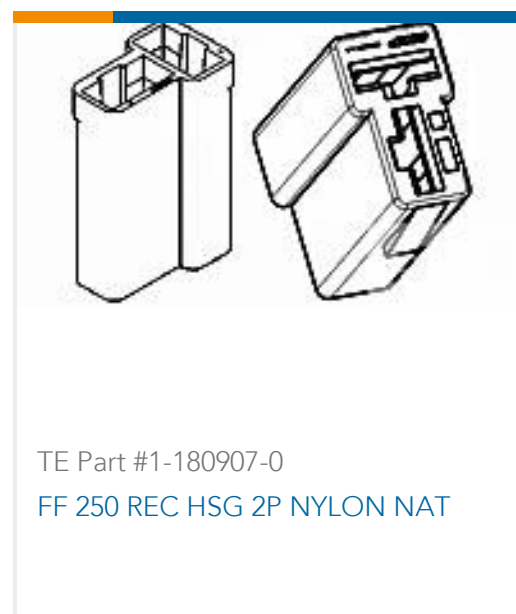
TE Part #2005097-1
025 RECEPTACLE CONTACT



TE Part #2-928344-6
STD TIM GEH 6P



TE Part #2-1415521-1
RFH54012WG



Documents

Product Drawings

MINI AMP-IN 22-18 AWG POST TIN PLTD

English

CAD Files

3D PDF

3D

Customer View Model

[ENG_CVM_CVM_350566-7_AT.2d_dxf.zip](#)

English

Customer View Model

[ENG_CVM_CVM_350566-7_AT.3d_igs.zip](#)

English

Customer View Model

[ENG_CVM_CVM_350566-7_AT.3d_stp.zip](#)

English

By downloading the CAD file I accept and agree to the [Terms and Conditions](#) of use.

Product Specifications

Application Specification

English

Product Environmental Compliance

[MD_350566-7_02232016651_dmtec](#)

English

[MD_350566-7_02232016651_dmtec](#)

English