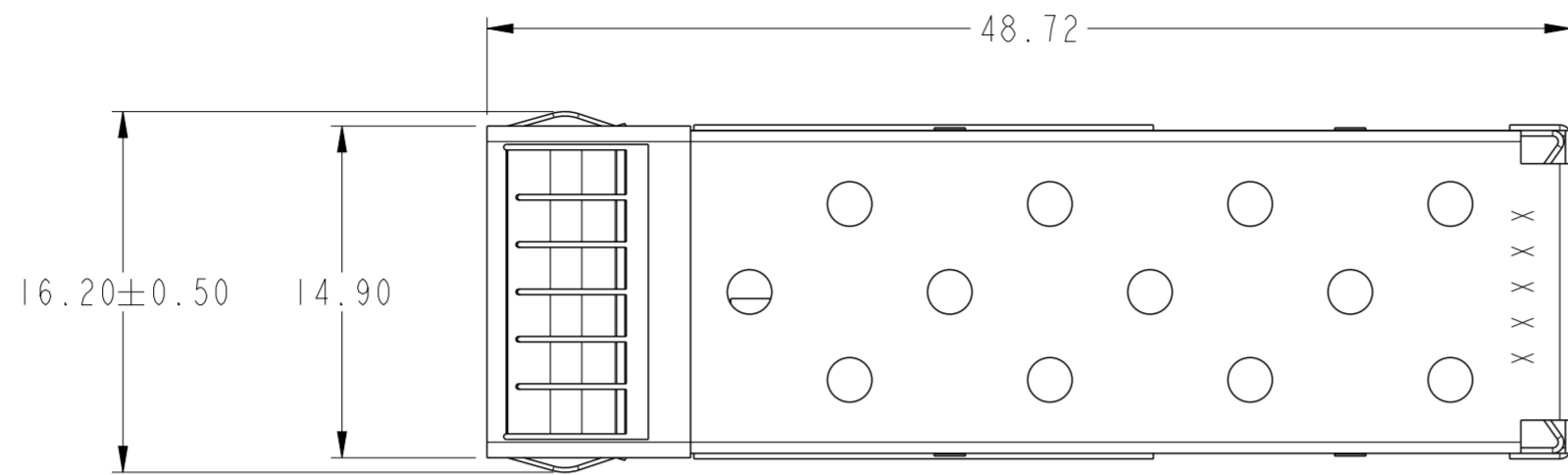
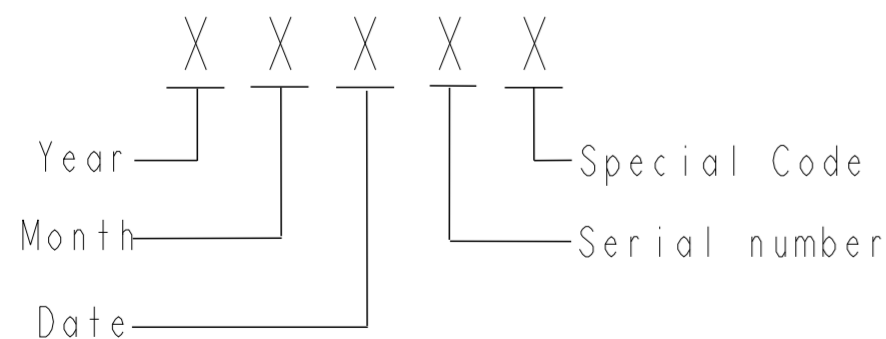
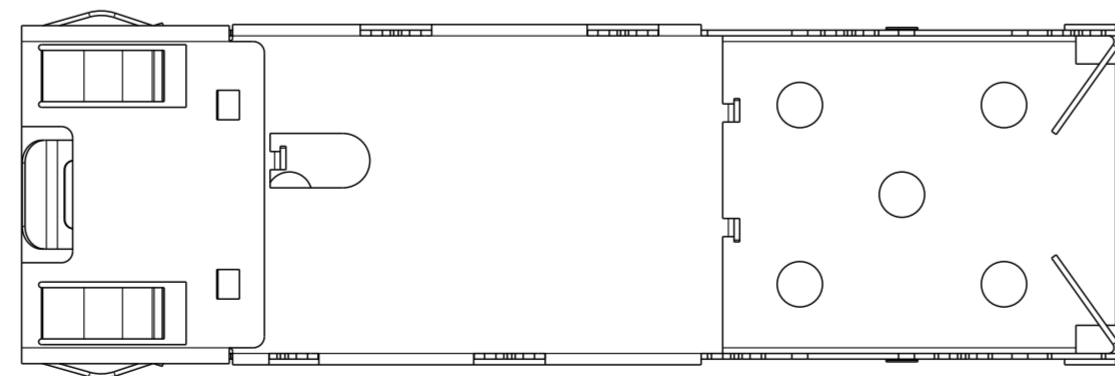
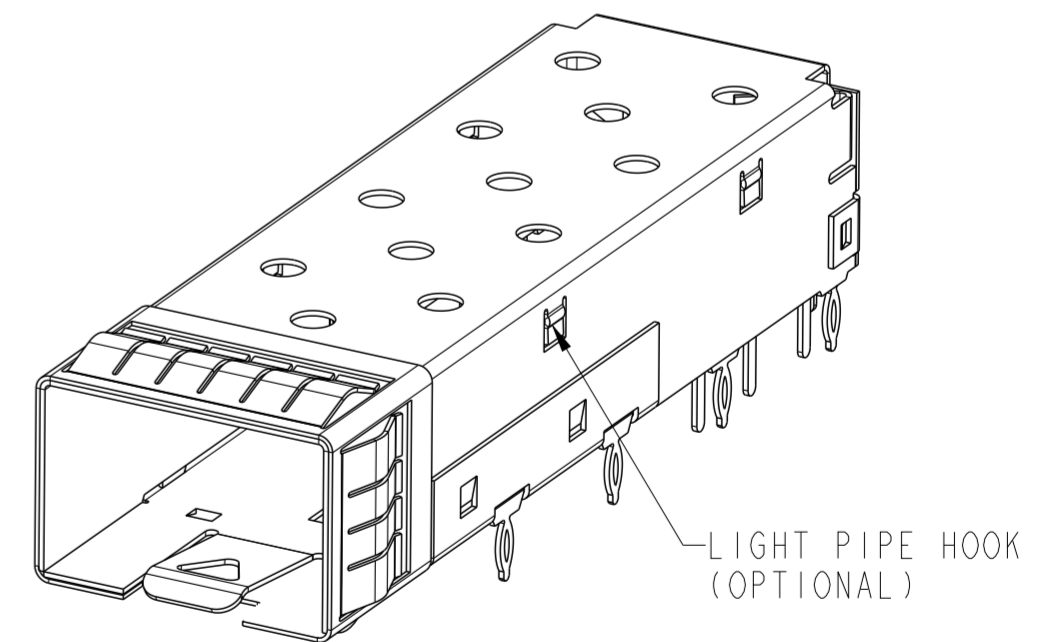
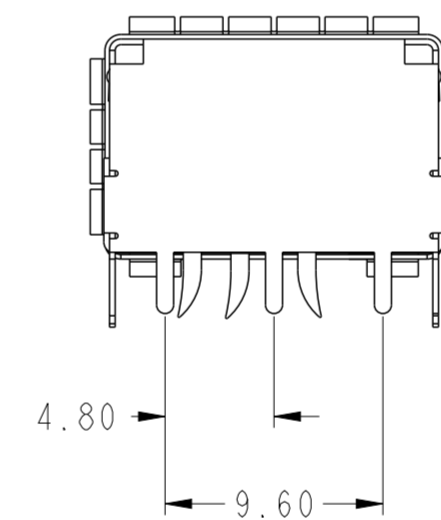
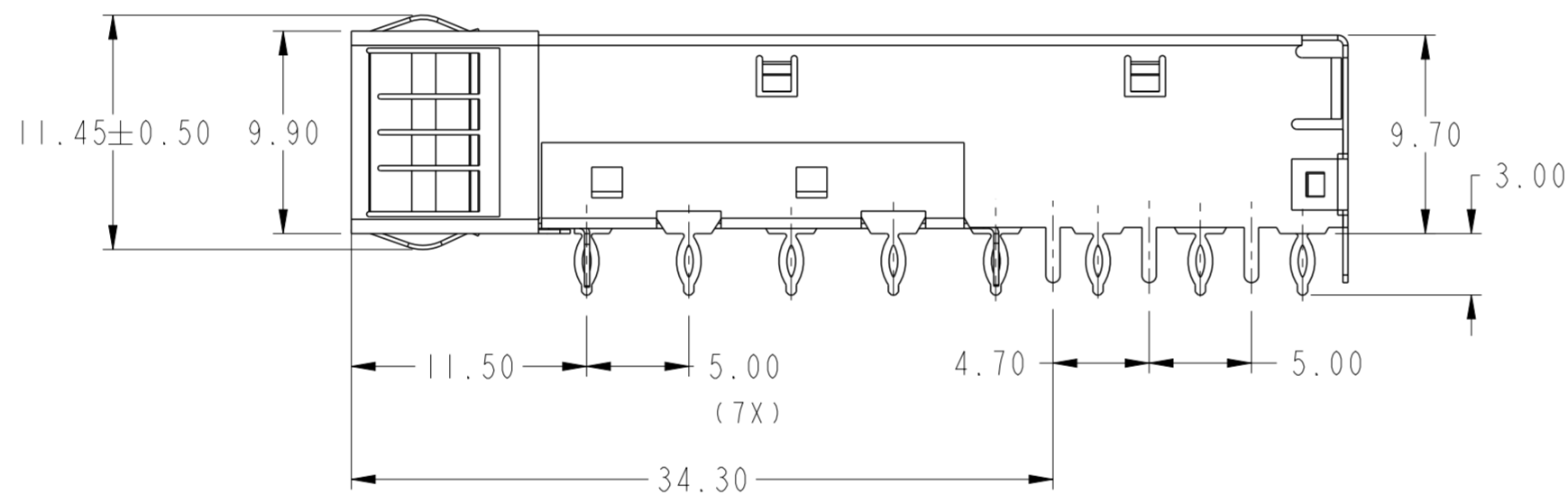
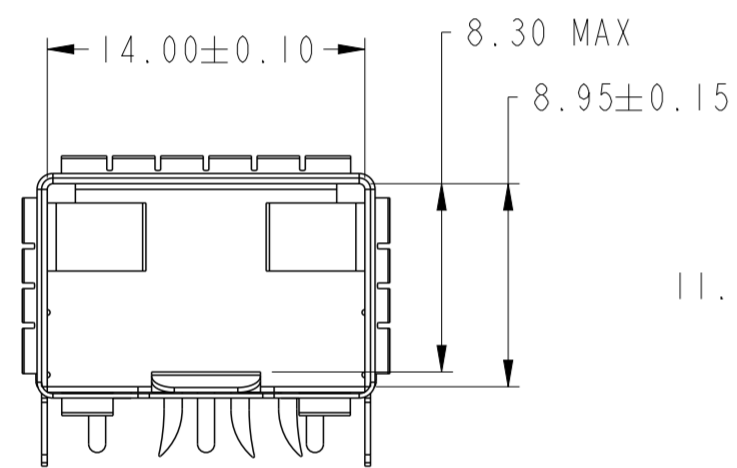


PRODUCT NUMBER	PACKAGING
10099103-011LF	TRAY



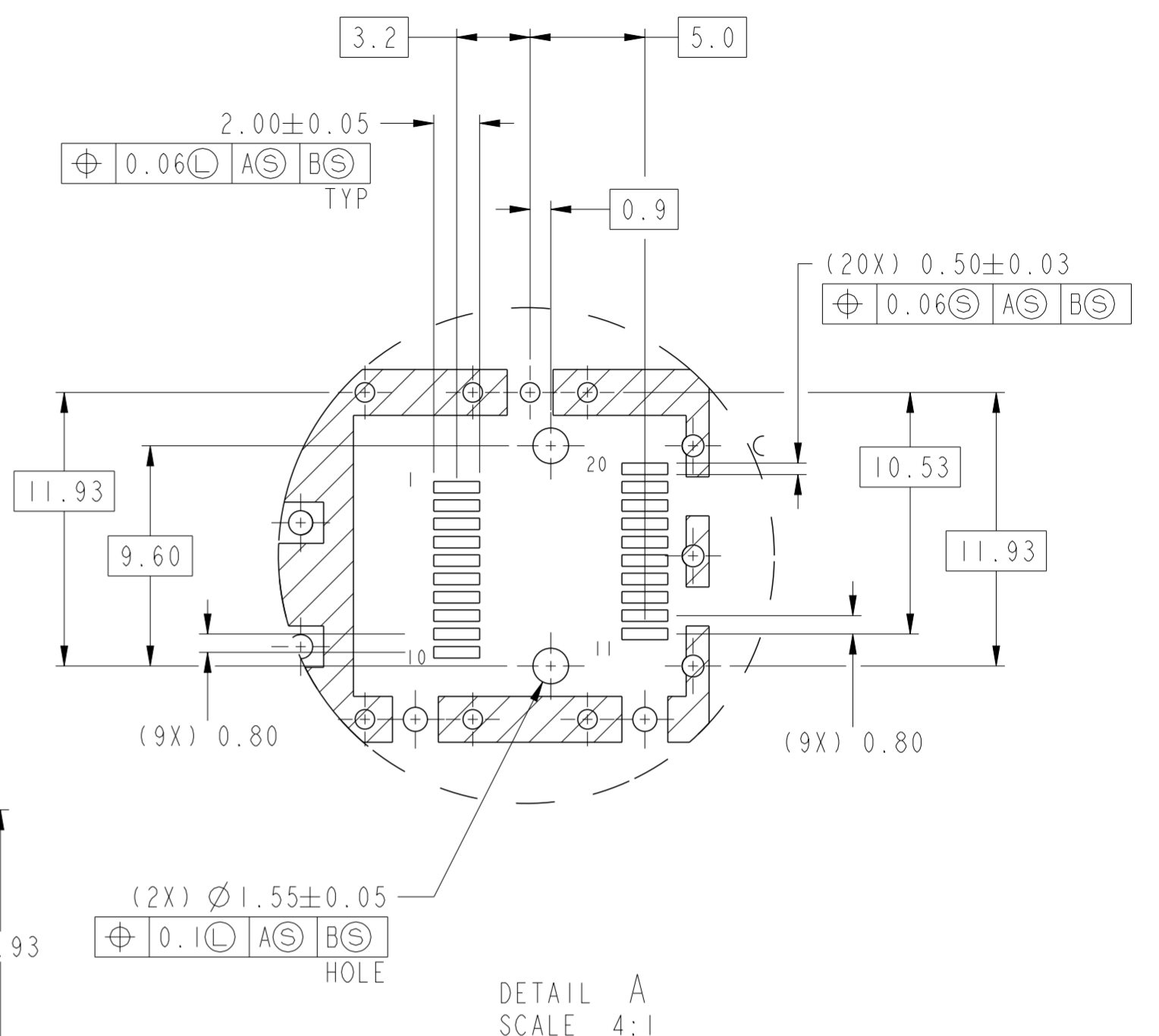
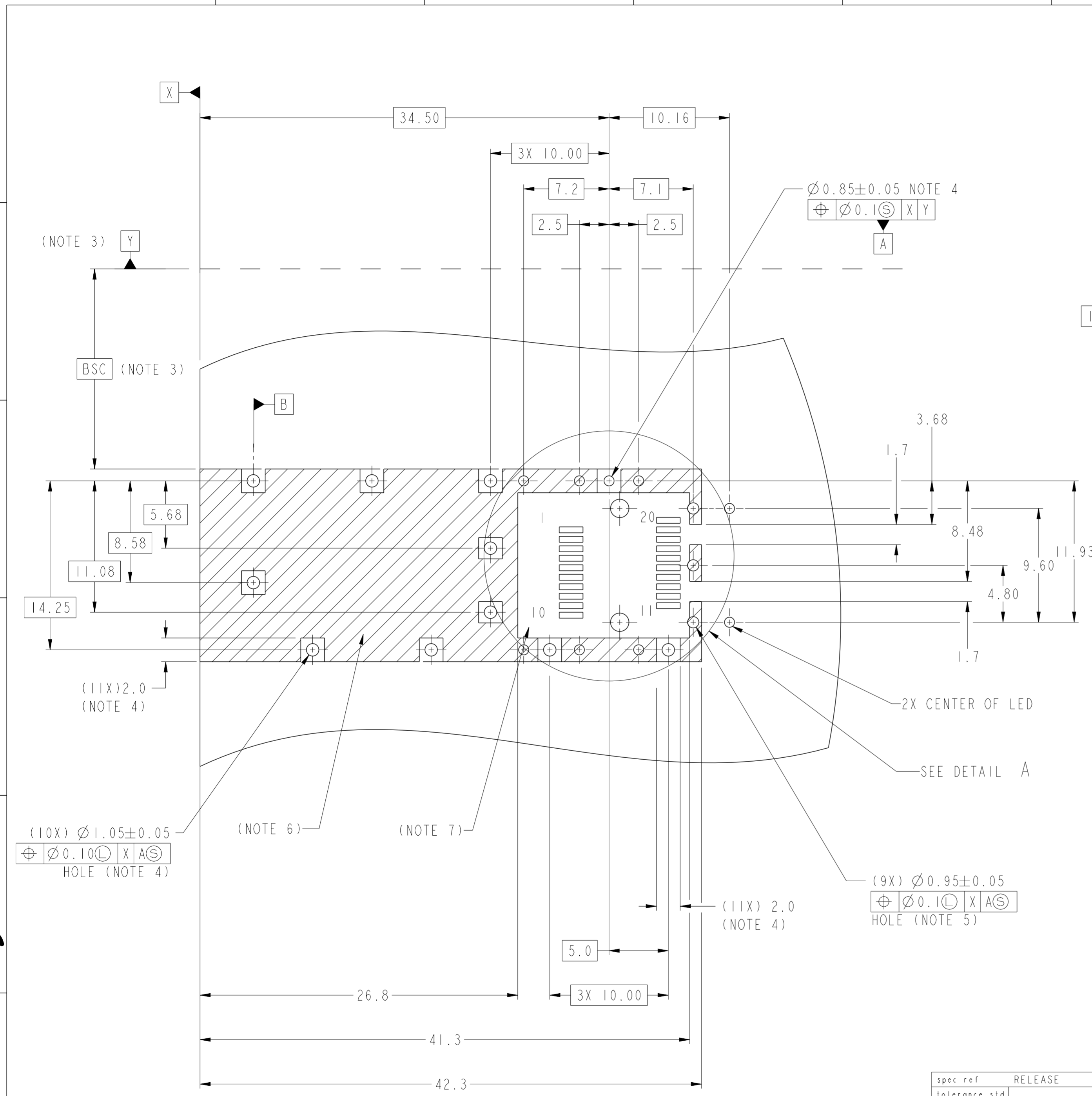
NOTES:

1. MATERIAL: COPPER ALLOY.
2. PLATING: CAGE BODY, 1.27µm(50u") MIN. NICKEL PLATING OVER ALL. EMI FINGER: 1.27µm(50u")MIN.NICKEL PLATING OVER ALL.
3. DATUM AND BASIC DIMENSIONS ARE ESTABLISHED BY CUSTOMER.
4. PADS AND VIAS ARE CHASSIS GROUND, 11 PLACES.
5. THROUGH HOLES, PLATING OPTIONAL.
6. CROSS-HATCHED AREA DENOTES COMPONENT AND TRACE KEEP-OUT (EXCEPT CHASSIS GROUND).
7. THIS AREA DENOTES COMPONENT KEEP-OUT (TRACES ALLOWED).
8. PRODUCT SPECIFICATION: GS-12-616
9. APPLICATION SPECIFICATION: GS-20-125
10. PRODUCT MEETS EUROPEAN UNION DIRECTIVES AND OTHER COUNTRY REGULATIONS AS DESCRIBED IN GS-22-008.
11. DATE CODE BE PRINTED ON PROPER SURFACE.
12. THE CAGE CAN BE ASSEMBLED WITH LIGHT PIPE KIT.
13. RECOMMENDED PANEL DESIGN LAYOUT OPTIONS:
 - <1>. PANEL DESIGN LAYOUT WITHOUT LIGHT PIPE KIT (SEE SHEET 3).
 - <2>. PANEL DESIGN LAYOUT WITH LIGHT PIPE KIT (SEE SHEET 4).
14. LIGHT PIPE REFER TO DRAWING NUMBER 10099106 FOR DIMENSIONAL INFORMATION.



DATE CODE DESCRIPTION

spec ref	RELEASE	dr	Andy Zhang	2010/11/03	projection	MM	size	A2	scale	1:1
tolerance std	TOLERANCES UNLESS OTHERWISE SPECIFIED	eng	Andy Zhang	2012/02/09			ecn no	ELX-N-010228-1		
ASME Y14.5		chr	-	2012/02/15				rel level	Released	
surface	linear	appr	Rick Bian	2012/02/15	product family	-	rel level	Blue		
ASME Y14.5	angular	0°	±3°	www.fci.com	cat. no.	-	Product - Customer Drw	sheet 1 of 4	rev	E



HOST BOARD MECHANICAL LAYOUT

spec ref	RELEASE	dr	Andy Zhang	2010/1/03	projection	MM	size	A2	scale	1:1
tolerance std	ASME Y14.5	eng	Andy Zhang	2012/02/09	chr	-	ecn no	ELX-N-010228-1	rel level	Released
surface	✓	appr	Rick Bian	2012/02/15	product family	-	rel level	Released	dwg no	10099103
ASME Y14.5	linear	0.X	±0.25	0.XX	±0.15	0.XXX	±0.10	angular	0°	±3°
				TITLE SFP+ IXI CAGE WITH LIGHT PIPE HOOKS SFP+ CAGE EMI FIGER TYPE		cat. no. Product - Customer Drw		sheet 2 of 4		

Copyright FCI. FCI

1 2 3 4 5 6 7 8

A

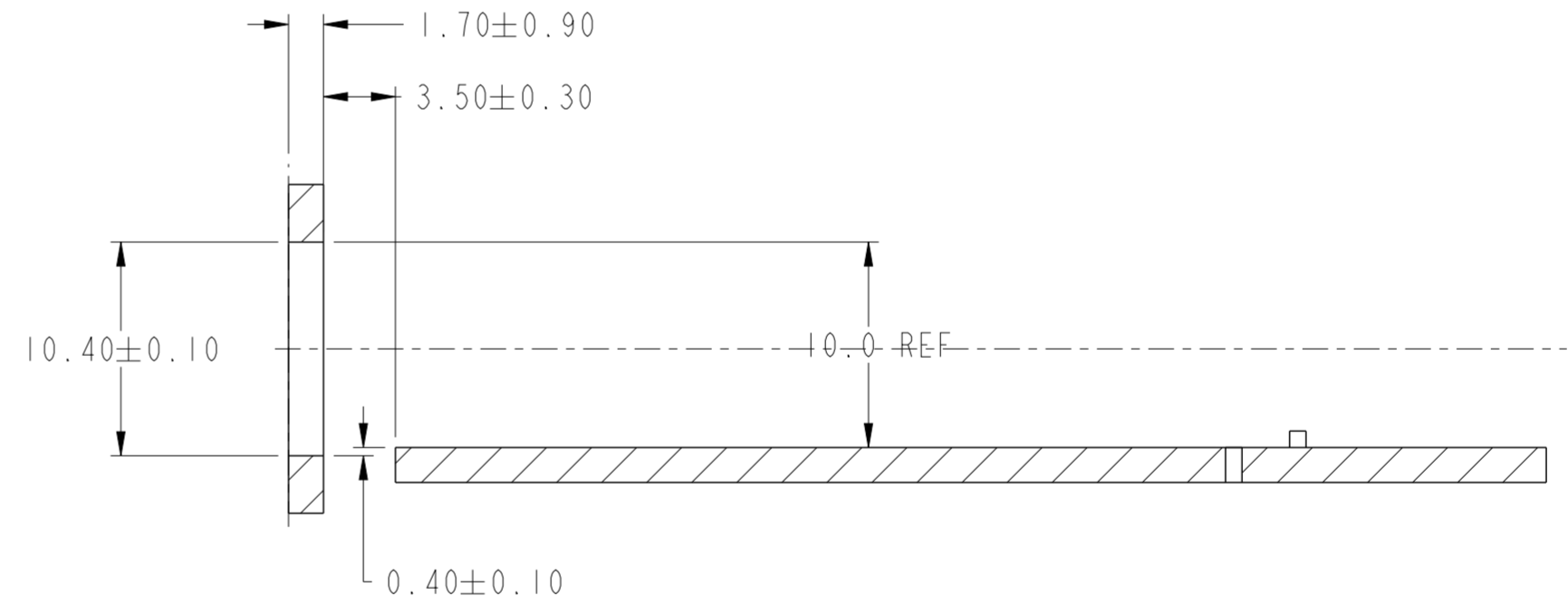
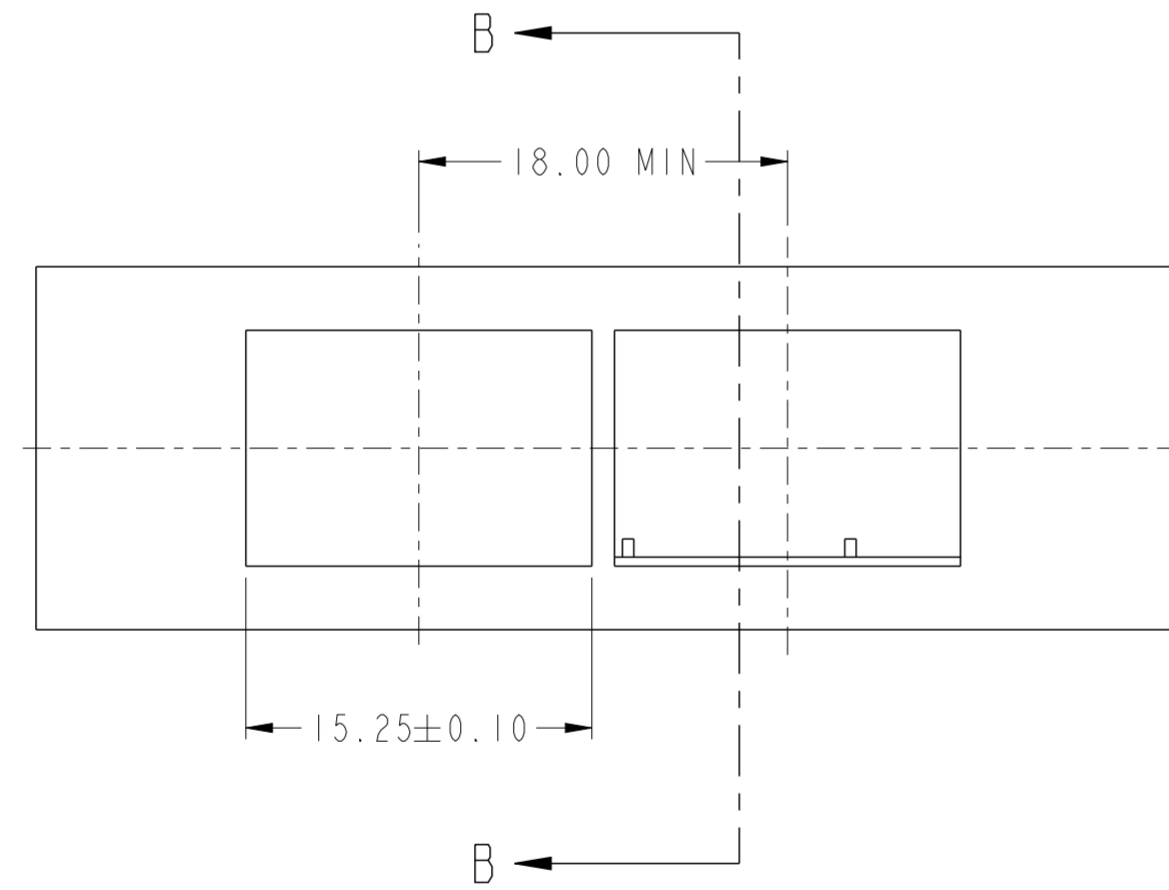
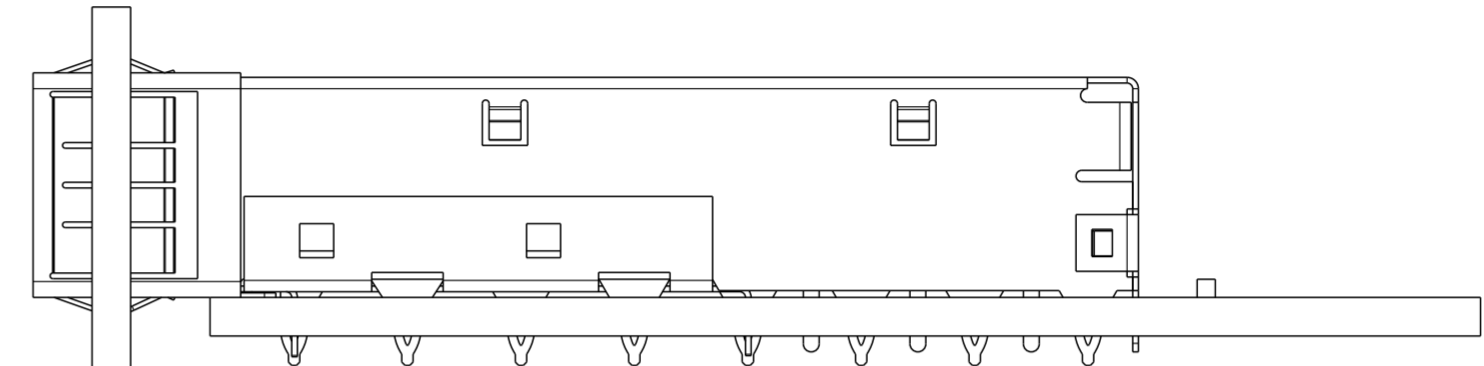
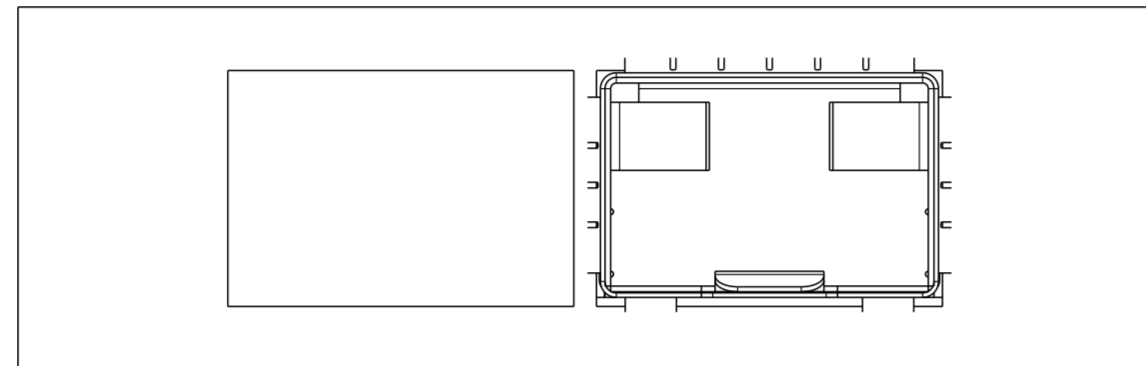
B

C

D

E

F



SECTION B-B

BEZEL OPENING
BELOW PC BOARD

RECOMMENDED PANEL DESIGN LAYOUT
WITHOUT LIGHT PIPE KIT

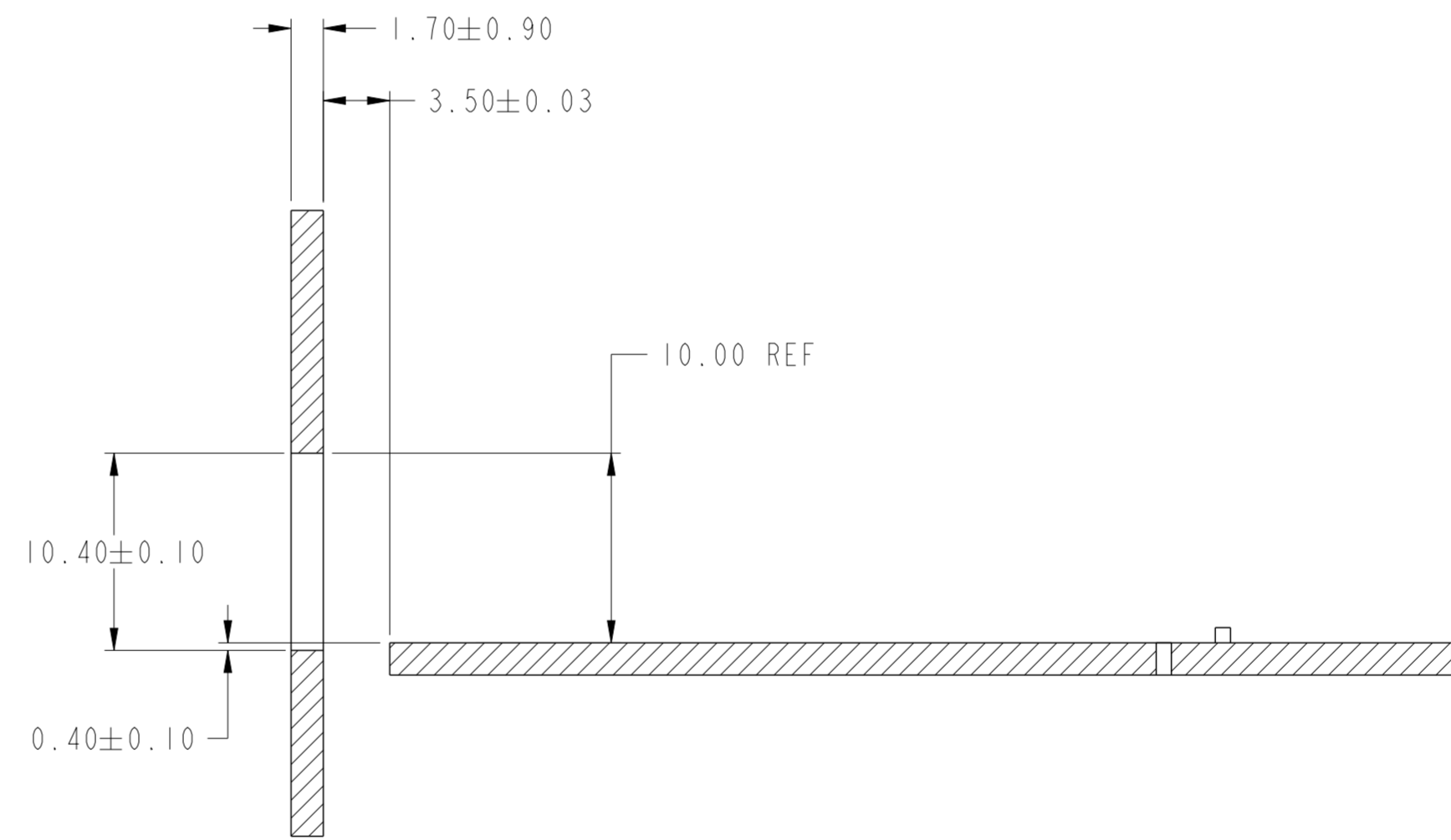
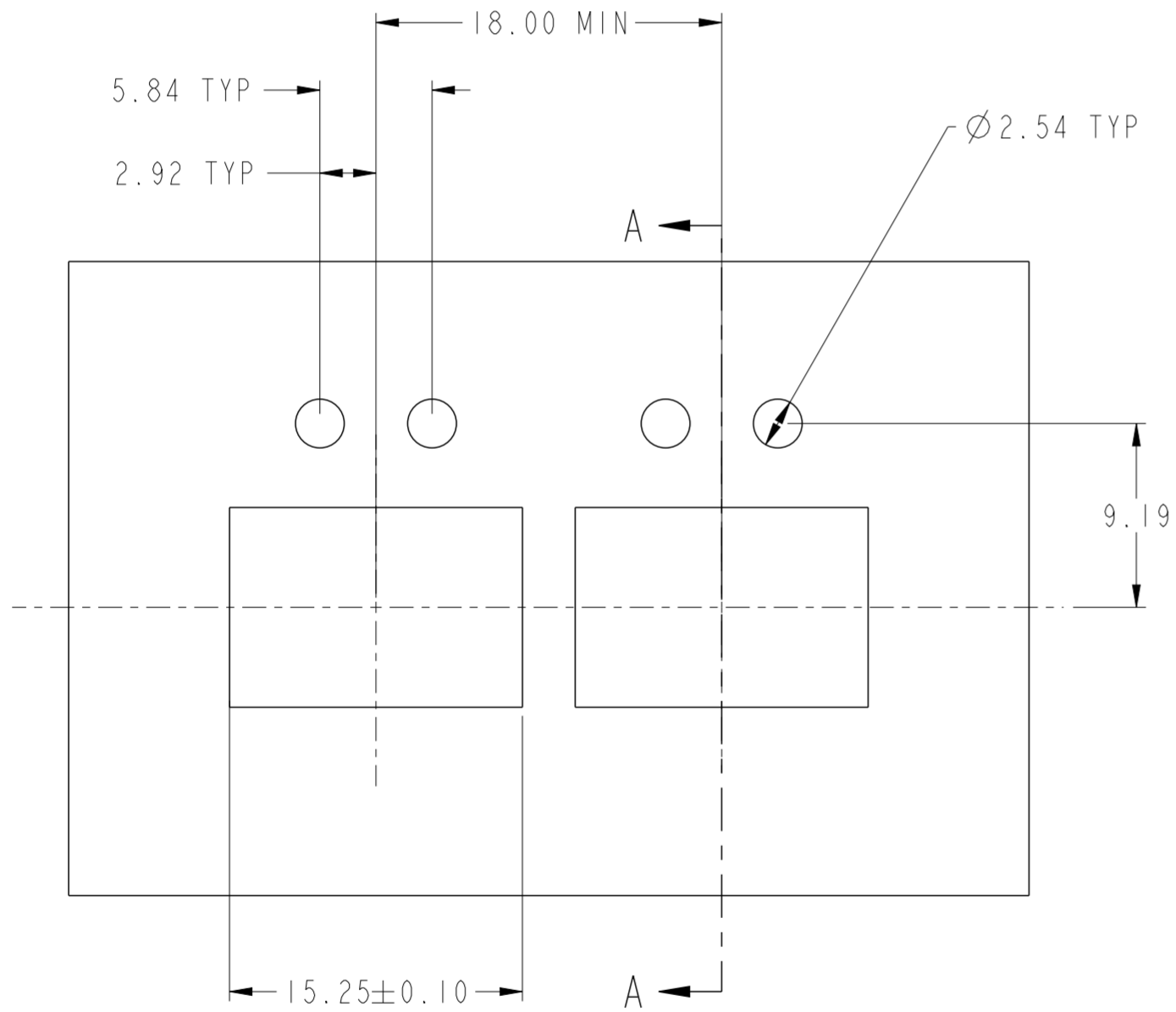
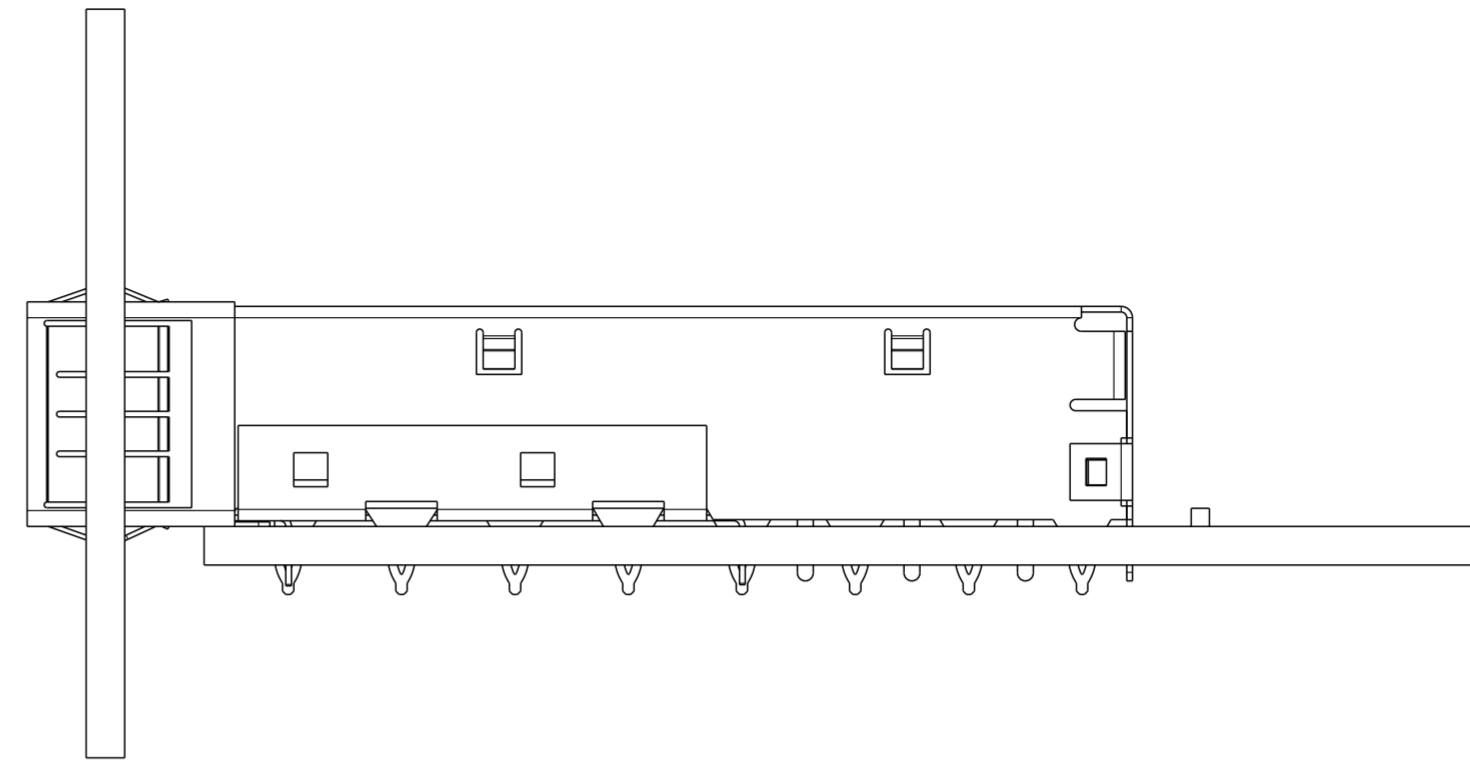
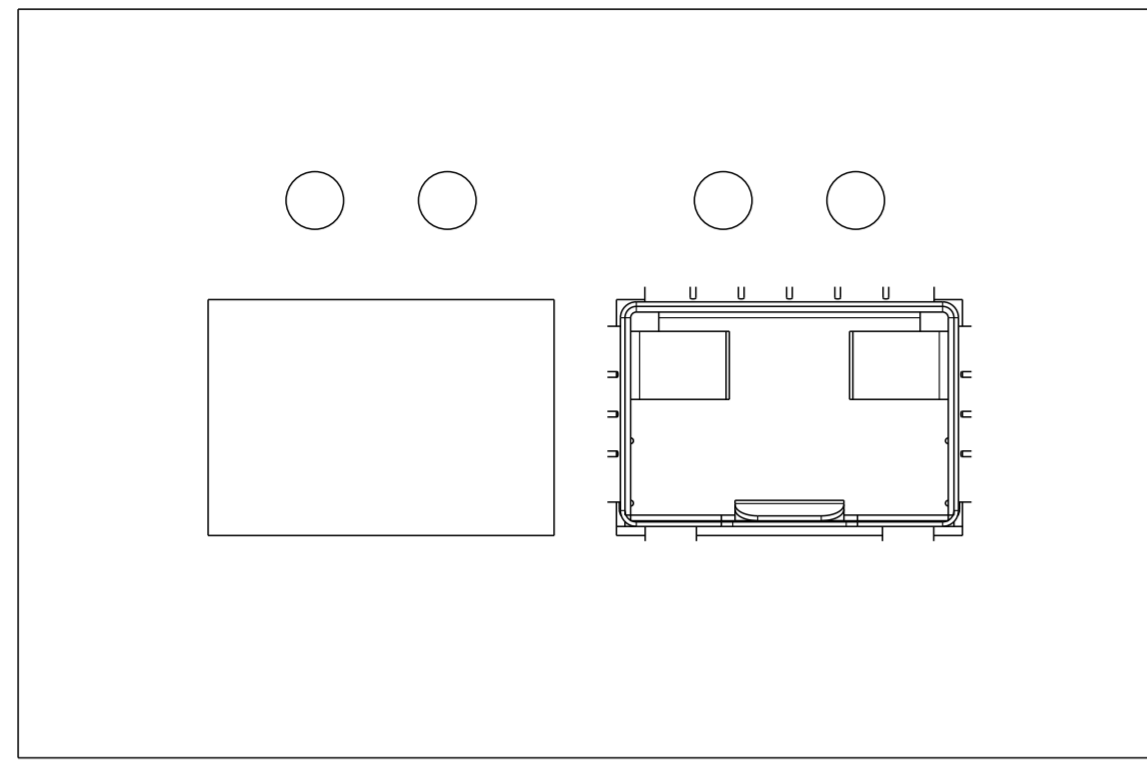
Copyright FCI.
FCI

spec ref	RELEASE	dr	Andy Zhang	2010/1/03	projection	MM	size	A2	scale	1:1
tolerance std	ASME Y14.5	eng	Andy Zhang	2012/02/09			ecn no	ELX-N-010228-1		
TOLERANCES UNLESS OTHERWISE SPECIFIED		chr	-	rel level				Released		
surface	✓	appr	Rick Bian	2012/02/15	product family	-	divg no	10099103	rev	E
ASME Y14.5	linear	0.X	±0.25		title		SFP+ IXI CAGE WITH LIGHT PIPE HOOKS		sheet 3 of 4	
		0.XX	±0.15		SFP+ CAGE EMI FIGER TYPE		Product - Customer Drw			
	angular	0°	±3°		cat. no.		STATUS:Released			

PDS: Rev :E

STATUS:Released

Printed: Feb 15, 2012



SECTION A-A
BEZEL OPENING
BELOW PC BOARD

RECOMMENDED PANEL DESIGN LAYOUT
WITH LIGHT PIPE KIT

spec ref	RELEASE	dr	Andy Zhang	2010/1/03	projection	MM	size	A2	scale	1:1
tolerance std	ASME Y14.5	eng	Andy Zhang	2012/02/09			ecn no	ELX-N-010228-1		
TOLERANCES UNLESS OTHERWISE SPECIFIED		chr	-	rel level				Released		
surface	✓	appr	Rick Bian	2012/02/15	product family	-	divg no	10099103	rev	E
ASME Y14.5	linear	0.X	±0.25		title		SFP+ IXI CAGE WITH LIGHT PIPE HOOKS		Product - Customer Drw sheet 4 of 4	
		0.XX	±0.15		SFP+ CAGE EMI FIGER TYPE					
	angular	0°	±3°		cat. no.	-				