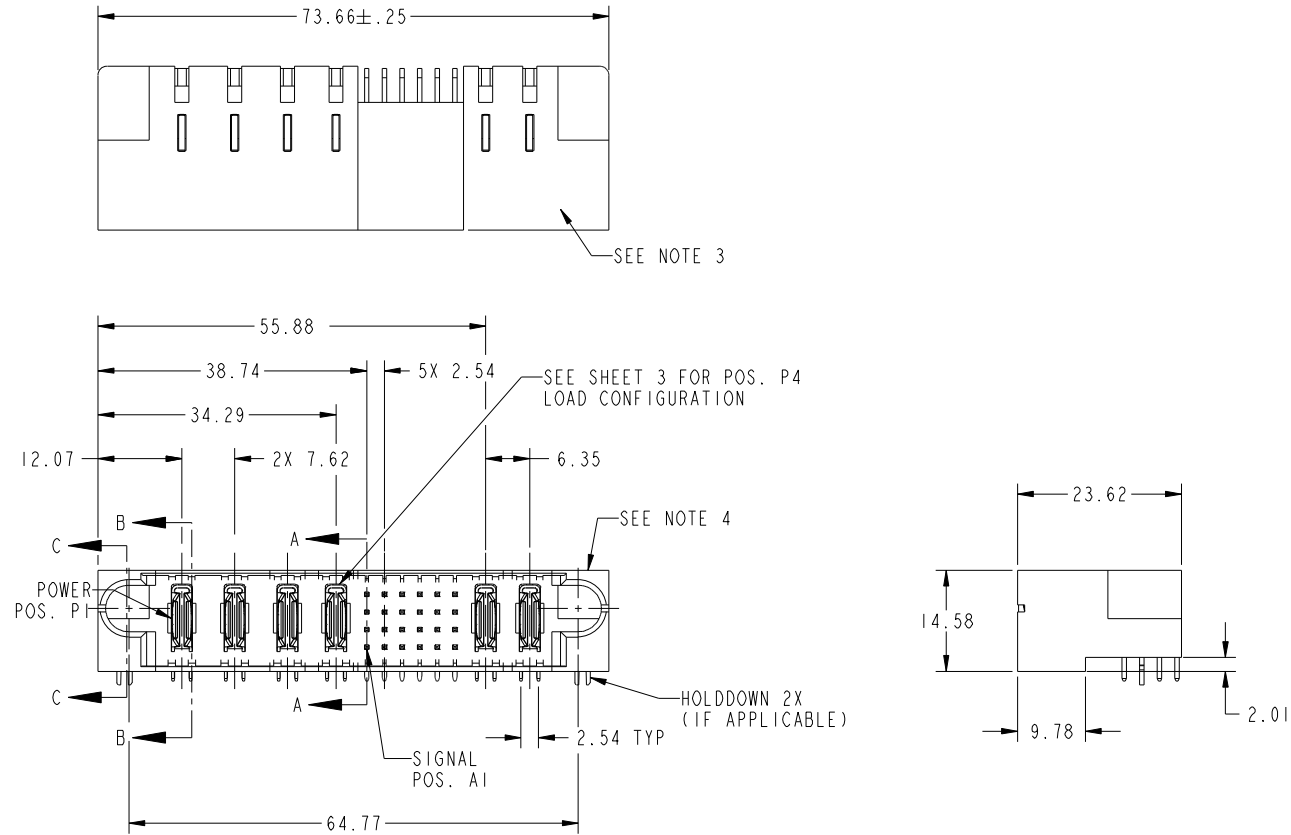


Tous droits strictement reserves. Reproduction ou communication a des tiers interdite sous quelque forme que ce soit sans autorisation écrite du propriétaire. Propriete de c FCI. Droits de reproduction FCI.

All rights strictly reserved. Reproduction or issue to third parties in any form whatever is not permitted without written authority from the proprietor. Property of FCI. Copyright FCI.



PRODUCT NUMBER
SEE SHEET 3



mat'l code				SEE NOTE		tolerances unless otherwise specified		CUSTOMER		FCI	
ltr	ecn no.	dr	date	linear	$0.X \pm 0.5$	COPY		projection		www.fciconnect.com	
H	DG08-0272	JW	09/30/08		$0.XX \pm 0.25$					title	
B	V02943	JRW	12/18/00		$0.XXX \pm 0.1$					3ACP + 1P + 24S + 2P	
C	V11186	CGD	04/12/01	angles	$0^\circ \pm 2^\circ$					RIGHT ANGLE SOLDER HEADER	
D	V12138	JRW	04/13/05	dr	E. KORFF	06/20/00	MIM		product family		code
E	DG05-0083	SW	04/13/05	engr	J. BROWN	06/20/00			PwrBlade		213
F	DG05-0103	JM	05/08/05	chr	J. BROWN	06/20/00	scale		size		sheet
G	DG05-0572	JMG	01/05/06	appd	J. BROWN	06/20/00	1:1		dwg no		1 of 3
sheet index		revision sheet		H	H	H			A		51786

cage code
22526

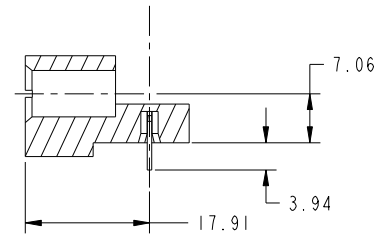
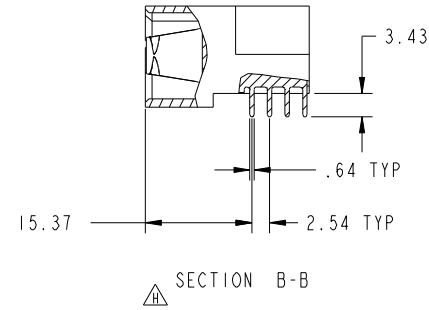
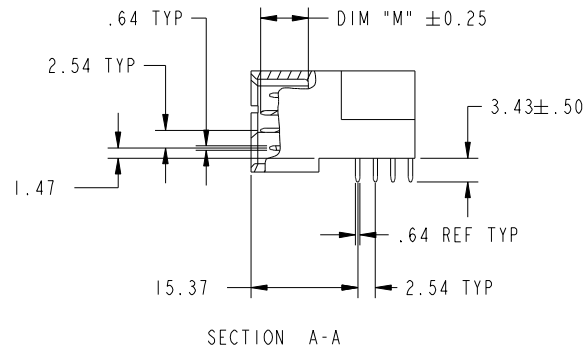
Pro/E

Tous droits strictement reserves. Reproduction ou communication a des tiers interdite sous quelque forme que ce soit sans autorisation ecrite du proprietaire. Propriete de c FCI. Droits de reproduction FCI.

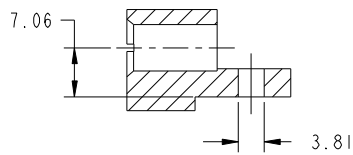


All rights strictly reserved. Reproduction or issue to third parties in any form whatever is not permitted without written authority from the proprietor. Property of FCI. Copyright FCI.

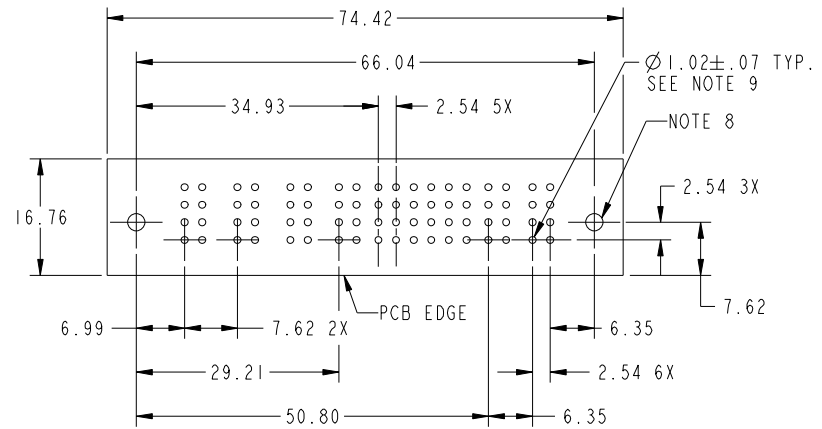
PRODUCT NUMBER
SEE SHEET 3



SECTION C-C



SECTION C-C
(WITHOUT HOLDDOWN)



RECOMMENDED PCB LAYOUT

mat'l code				SEE NOTE		tolerances unless otherwise specified		CUSTOMER		 www.fciconnect.com	
ltr	ecn no.	dr	date	linear	0.X ±0.5	projection		COPY		title	
H				angles	0.XX ±0.25					3ACP + 1P + 24S + 2P RIGHT ANGLE SOLDER HEADER	
				dr	0.XXX ±0.1			product family		PwrBlade	code
				enr	0° ±2°	scale		size		dwg no	213
				chr	E. KORFF 06/20/00	1:1		A		51786	sheet
				appd	J. BROWN 06/20/00						2 of 3
					J. BROWN 06/20/00						
sheet index	revision sheet										

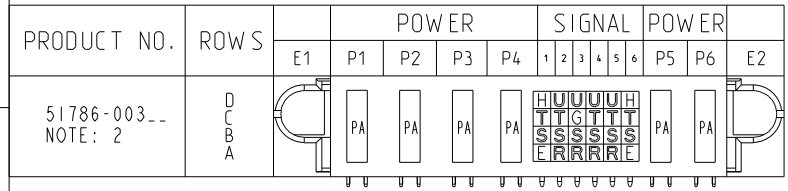
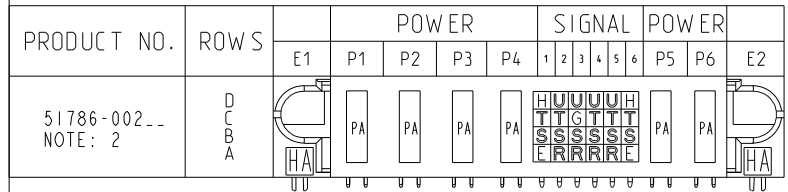
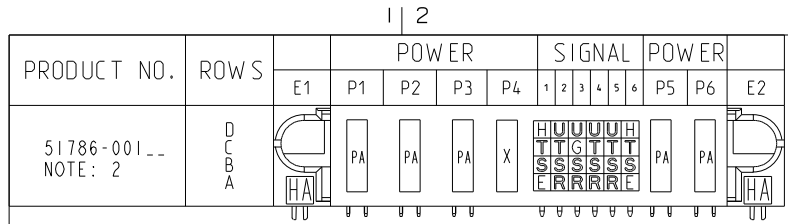
cage code 22526

Pro/E

Tous droits strictement reserves. Reproduction ou communication a des tiers interdite sous quelque forme que ce soit sans autorisation écrite du propriétaire. Propriete de c FCI. Droits de reproduction FCI.



All rights strictly reserved. Reproduction or issue to third parties in any form whatever is not permitted without written authority from the proprietor. Property of FCI. Copyright FCI.



CODE	DIM "M" MATING LENGTH	CONTACT TYPE
T	[6.86]	SIGNAL
S	[6.86]	SIGNAL
U	[6.86]	SIGNAL
R	[6.86]	SIGNAL
PA	[N/A]	POWER
HA	[N/A]	HOLD-DOWN
H	[5.59]	SIGNAL
E	[5.59]	SIGNAL
G	[5.59]	SIGNAL
X	OMITTED	OMITTED

mat'l code				SEE NOTE		tolerances unless otherwise specified		CUSTOMER		FCI www.fciconnect.com	
ltr	ecn no.	dr	date	linear	0.X ± 0.5	projection		COPY		title	
H				angles	0.XX ± 0.25			3ACP + 1P + 24S + 2P		RIGHT ANGLE SOLDER HEADER	
				dr	0.XXX ± 0.1			product family		PwrBlade	code
				enrg	0° ± 2°	scale		size		dwg no	213
				chr	E. KORFF 06/20/00	1:1		A		51786	sheet
				appd	J. BROWN 06/20/00						3 of 3
sheet index		revision sheet									

- CONNECTOR NOTES:
- HOUSING MATERIAL: UL 94 V-0 GLASS FILLED HIGH-TEMP THERMOPLASTIC
POWER CONTACT MATERIAL: COPPER ALLOY
SIGNAL PIN MATERIAL: COPPER ALLOY
 - PLATING
SEE ITEM 1 & 2 IN PRINT 10064183 FOR PLATING SPEC. OF 51786-XXX; 51786-XXXLF
 - MANUFACTURER'S NAME, P/N, AND DATE CODE TO APPEAR ON THIS SURFACE.
 - PRODUCT SPECIFICATION GS-12-149.
APPLICATION SPECIFICATION BUS-20-067.
- PCB NOTES:
- ALL DIMENSIONS ARE BASIC UNLESS OTHERWISE SPECIFIED.
 - ALL THROUGH HOLES ARE LOCATED WITH A TRUE POSITION OF 0.10
 - ALL HOLE DIAMETERS ARE FINISHED HOLE SIZE.
 - Ø2.49+0.05/-0.02 THROUGH HOLES ARE UNPLATED (-001 AND -002)
Ø4.01±0.07 THROUGH HOLES ARE UNPLATED (-003 ONLY)
 - Ø1.151±0.025 DRILLED HOLES PLATED WITH 0.008 MIN SnPb OR Sn OVER 0.03 TO 0.08 Cu PLATING TO ACHIEVE Ø1.02±.07 HOLE.
 - A SYMBOL WILL BE NEXT TO ANY DIMENSION, VIEW, OR NOTE WHICH HAS BEEN MODIFIED WITH THE CURRENT DRAWING REVISION.