

4

3

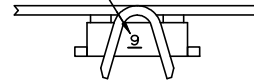
2

1

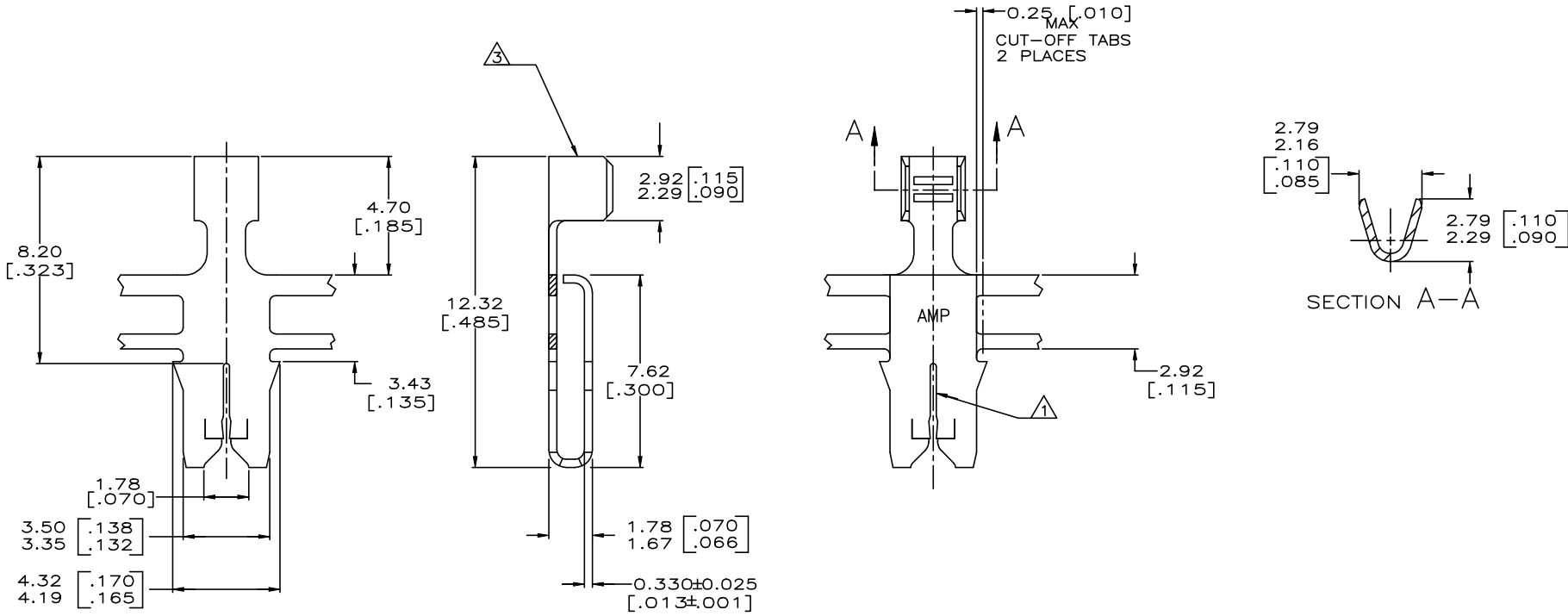
THIS DRAWING IS UNPUBLISHED. RELEASED FOR PUBLICATION .19
 © COPYRIGHT 19 BY AMP INCORPORATED. ALL RIGHTS RESERVED.

LOC	DIST	REVISIONS			
P	LTR	DESCRIPTION	DATE	DWN	APVD
AF	50	G1	REVISED PER ECR-19-013909	01OCT2019	PC MB

IDENTIFICATION NUMBER 9 FOR MAGNET WIRE RANGE



- 1 SLOT TERMINATES EITHER SINGLE OR DOUBLE MAGNET WIRES OF THE SAME TYPE AND SIZE, COPPER RANGE 0.36-0.50mm [#27-#24] AWG. ALUMINIUM RANGE 0.45-0.51mm [#25-#24] AWG. ALUMINIUM WIRE RANGE APPLIES FOR POST TIN PLATED PART NUMBERS ONLY.
- 2 CONTINUOUS STRIP ON REELS WITH TERMINALS LOCATED ON 8.38±0.08 [.330±.003] CENTERS.
- 3 WIRE BARREL TO ACCEPTS #22-#18 AWG STRANDED LEAD WIRE.



63237-1
PART NUMBER

THIS DRAWING IS A CONTROLLED DOCUMENT.		DWN MICHAEL S. FEHER 17SEP96	STE TE Connectivity
DIMENSIONS: mm [INCHES]		CHK RICHARD GRZYBOWSKI 25SEP96	
TOLERANCES UNLESS OTHERWISE SPECIFIED:		APVD NELSON E. NEFF 26SEP96 NAME	TERMINAL, F-CRIMP, 300 SERIES, MAG-MATE™
0 PLC ±		PRODUCT SPEC	
1 PLC ±		108-2012	SIZE A2
2 PLC ±0.25[.010]		APPLICATION SPEC	CAGE CODE 00779
3 PLC ±		114-2046	DRAWING NO. 63237
4 PLC ±		FINISH 0.002032[.000080] MIN TIN	SCALE 8:1
MATERIAL 4M BRASS		WEIGHT -	SHEET 1 OF 1
		CUSTOMER DRAWING	REV G1

63237

A