

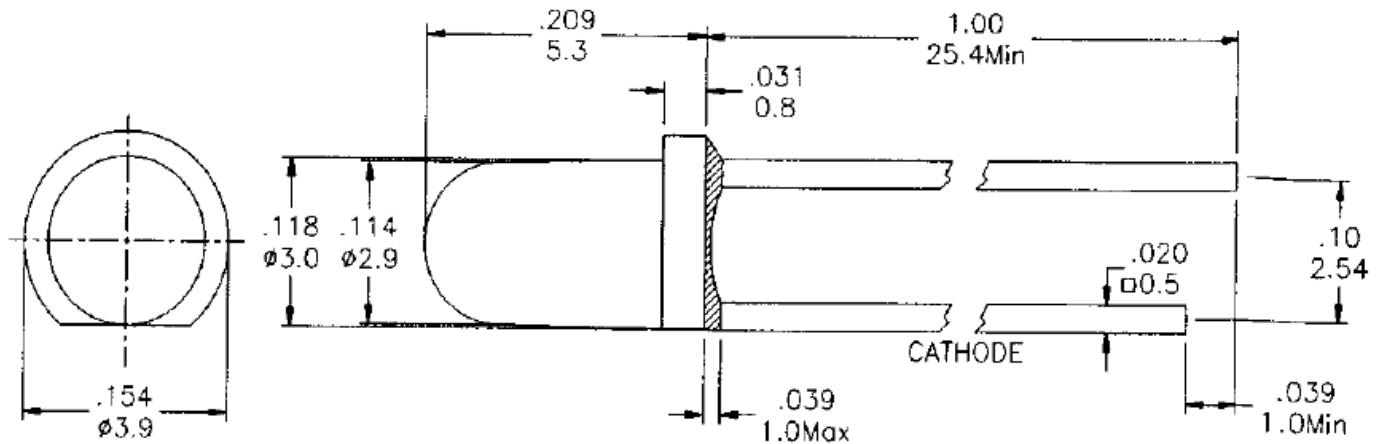


American Opto Plus LED Corp.

L314HD

3mm Red LED Lamp

PACKAGE DIMENSION



| Item | Material |
|---------------|--------------|
| Chip | GaP/GaP |
| Lens | Red Diffused |
| Emitted Color | Red |
| Viewing Angel | 50° |

Note

1. All dimensions are in millimeter (inches); tolerance is $\pm 0.25\text{mm}$ (0.01inch)



American Opto Plus LED Corp.

L314HD

3mm Red LED Lamp

ABSOLUTE MAXIMUM RATINGS

(Ta=25°C)

| | Symbol | Max. Ratings | Unit |
|--|-----------|--|------|
| Power Dissipation | P_d | 84 | mW |
| Reverse Voltage | V_R | 5 | V |
| Forward Current | I_F | 30 | mA |
| Pulse Forward Current (1/10 duty cycle @ 1kHz) | I_{fp} | 100 | mA |
| Operating Temperature Range | T_{opr} | -40~+80 | °C |
| Storage Temperature Range | T_{stg} | -40~+100 | °C |
| Soldering Temperature | T_{sol} | 260°C for 5 sec Max [1.6mm(0.063inch) from body] | |

OPTICAL-ELECTRICAL CHARACTERISTICS

(Ta=25°C)

| | Symbol | Test Condition | Min | Typ | Max | Unit |
|--------------------|-----------------|----------------|-----|-----|-----|---------|
| Forward Voltage | V_F | $I_F = 20mA$ | -- | 2.2 | 2.8 | V |
| Peak Wavelength | λ_P | | -- | 695 | -- | nm |
| Viewing angle | $2\theta_{1/2}$ | | -- | 50 | -- | Deg |
| Luminous Intensity | I_v | $I_F = 10mA$ | 1.0 | 2.5 | -- | mcd |
| Reverse Current | I_R | $V_R = 5V$ | -- | -- | 100 | μA |