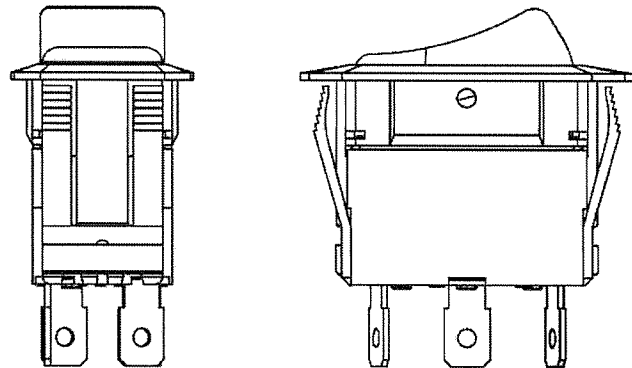
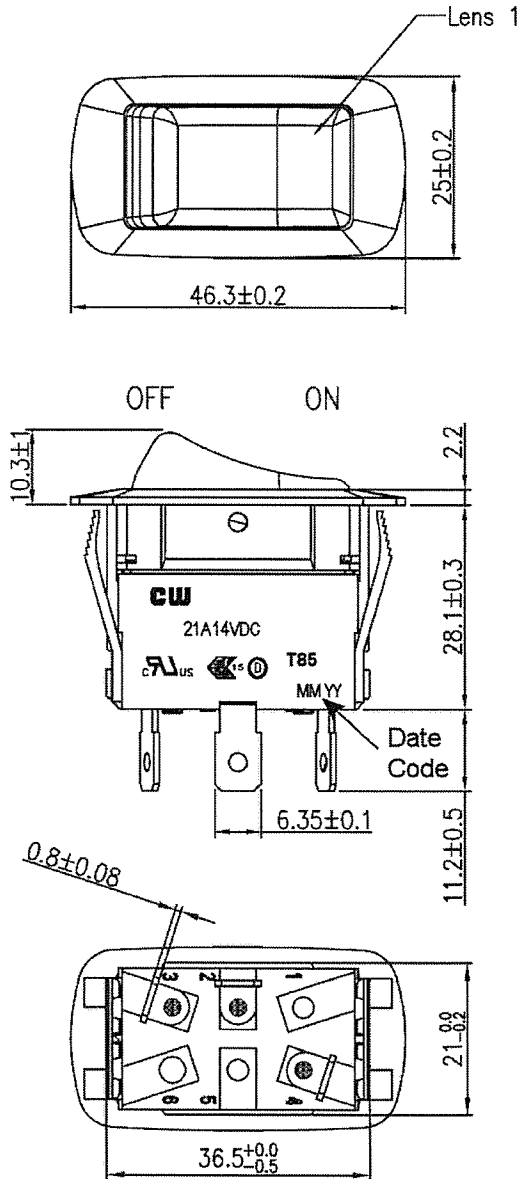


THIS INFORMATION IS CONFIDENTIAL AND PROPRIETARY TO CW INDUSTRIES INCORPORATED AND ITS AFFILIATES. IT MAY NOT BE DISCLOSED TO ANYONE, OTHER THAN CW INDUSTRIES PERSONNEL, WITHOUT WRITTEN AUTHORIZATION FROM CW INDUSTRIES INCORPORATED, SOUTHAMPTON, PENNSYLVANIA USA.

Rating	21A 14VDC	T85	Mounting Hole	Circuit Diagram	
Configured For	12VDC 14V				
Contact Resistance	50m ohm Max.				
Insulation Resistance	DC 500V 100M ohm Min.				
Dielectric Strength	AC 1500V 1 minute				
Operation Temperature	-20°~85°		Thickness(mm)	X(mm)	Y(mm)
Switch Function	3P SPST ON-OFF Lamp Dependent		0.75~1.25	21.2±0.1	36.6 ^{+0.2}
Lamp Type	Bulb 12VDC 14V		1.25~2.0		36.8 ^{+0.2}
			2.0~3.0		37.0 ^{+0.2}

MATERIAL:

- Frame: Nylon # 66, Black
- Actuator: Nylon # 66 with 33%GF, Black
- Lens 1: PC, Red
- Lens 2: None
- Water Proof and Dust Proof to fit IP-56



Order Chart									
Series	Actuator Type	Terminal Type	Lens 1 Color			Voltage			
GRB260	A	4	01	B	B	R	N	1	
Function	Frame Color	Actuator Color							None

R13-260A4-01-BBRN-91100

3 Updated ratings. 2/12/18.

CW INDUSTRIES
Southampton, Pa. 18966
Tel 215.355.7080/www.cwind.com

Date Drawn: 5/27/10

Rev. 3

Unit: mm

Checked By: *G. GULD*

Title: **ROCKER SWITCH**

CW P/N: **GRB260A401BBRN1**