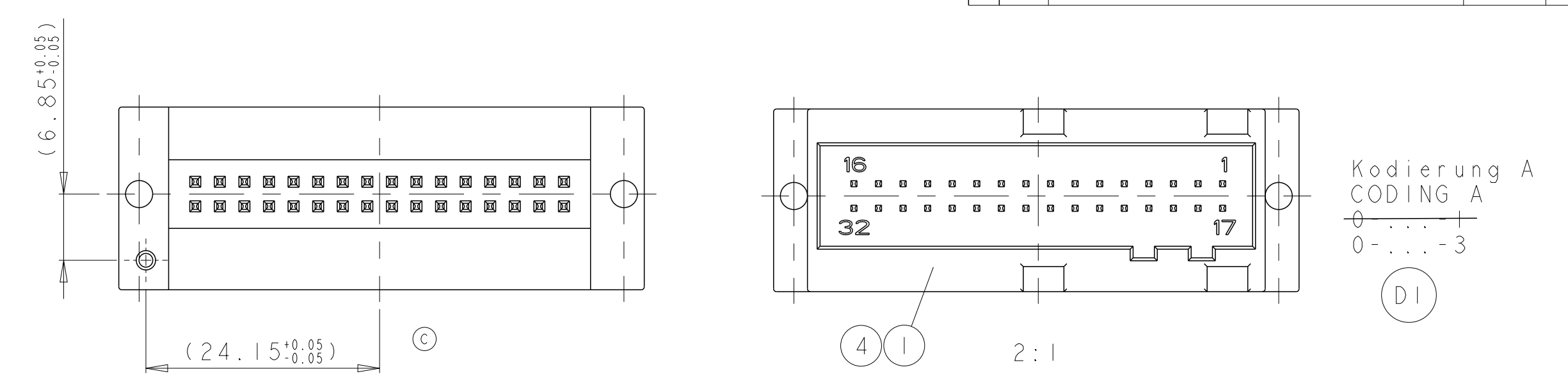
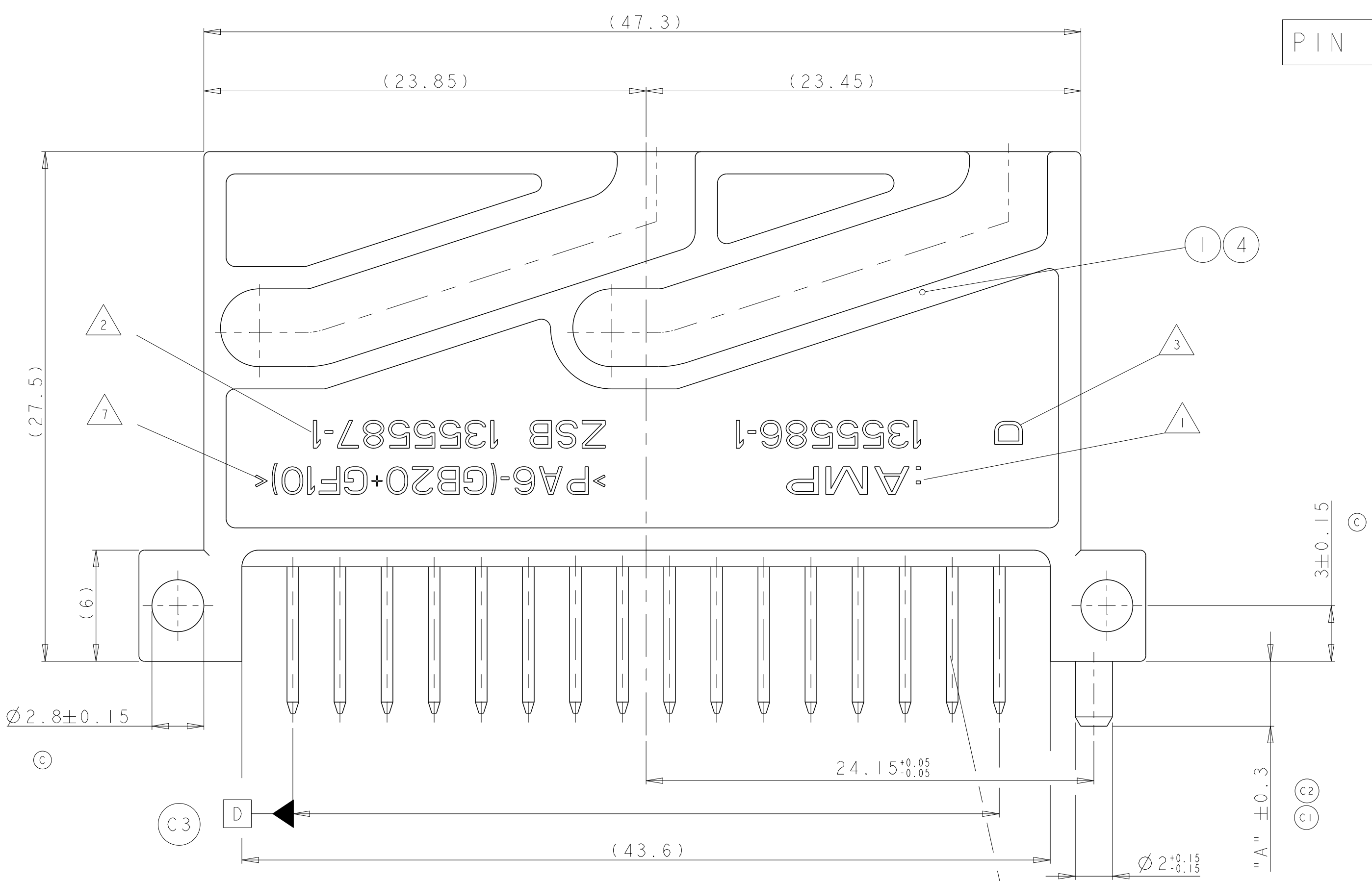


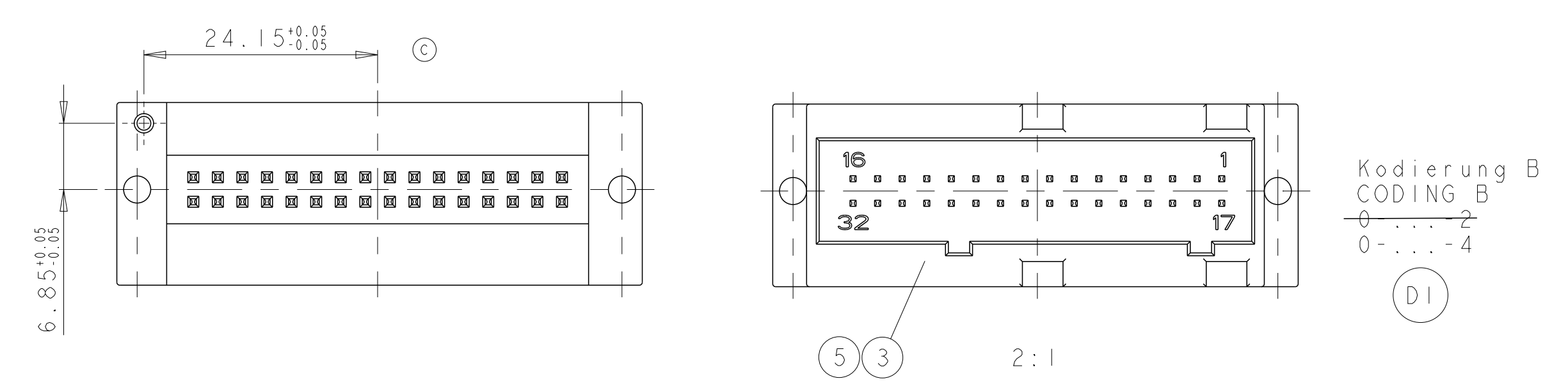
PROJEKT NO.
 A98-52279
 B916704

REVISIONS					
P	LTA	DESCRIPTION	DATE	DWN	APVD
D2		PN2...-3 /-4 ADDED;CUSTOMER RESTRICTED	13JUL2005	HSCB	VB
D3		REV PER ECO-10-000445	11JAN10	KK	AEQ
D4		SEE PCN E-15-009173	17JUN2015	HS	JW
-	-	-	-	-	-

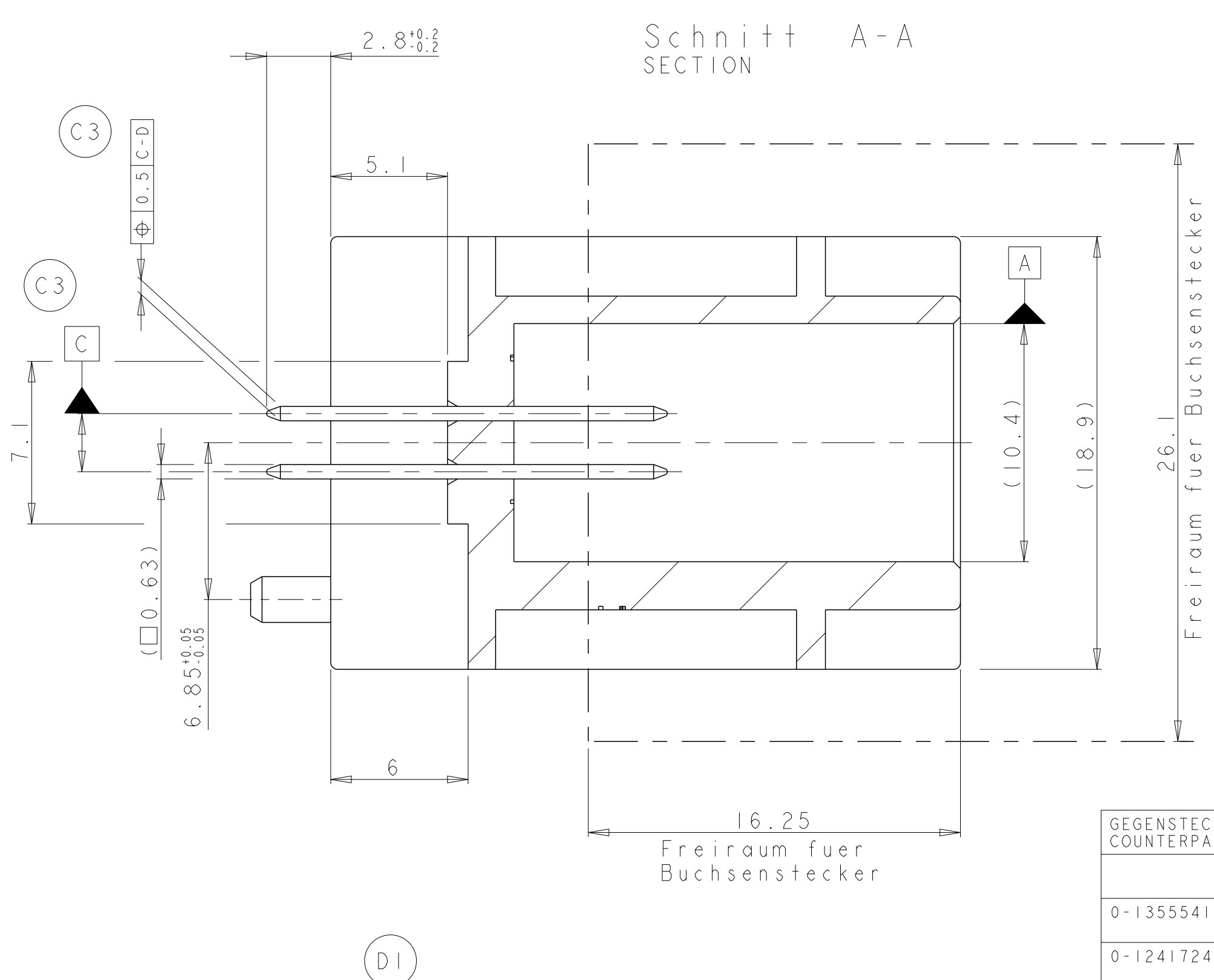
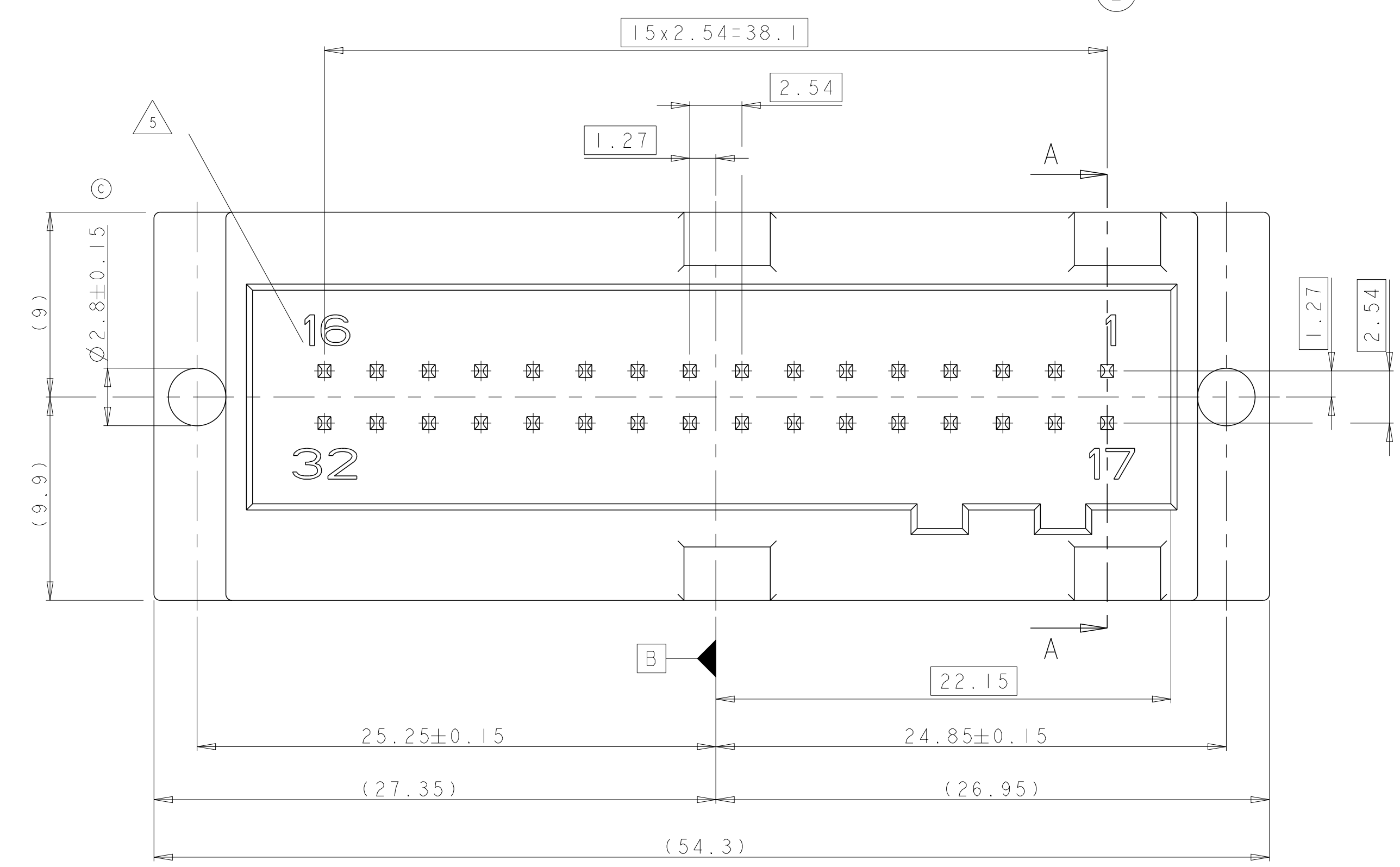
PIN 180° VARIANTE



Kodierung A
 CODING A
 0-...-3
 (D1)

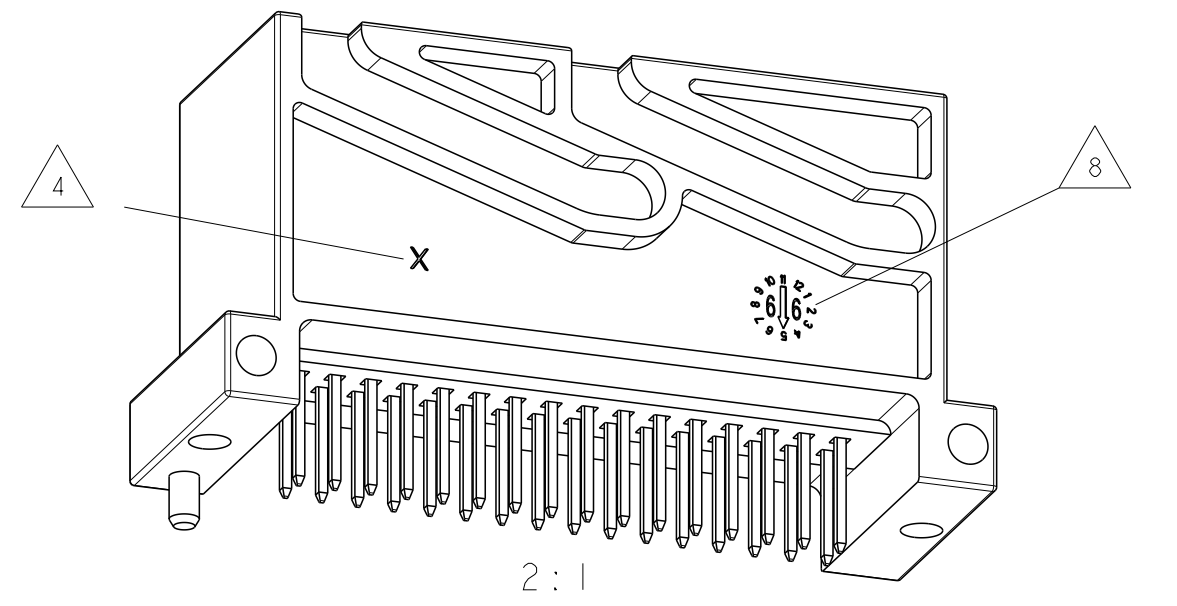


Kodierung B
 CODING B
 0-...-4
 (D1)



Schnitt A-A
 SECTION

- NOTES
 Bemerkungen
- 1 AMP-LOGO or TE-LOGO
AMP-Logo oder TE-Logo
 - 2 ASSY-NO.
ZSB-Nr.
 - 3 REVISIONS-NUMBER (SINGLE PART)
Werkzeugaenderungsindex (Einzelteil)
 - 4 TOOL CAVITY MARKING
Nestmarkierung
 - 5 CAVITY MARKING
Kammernummerierung
 - (D1) 6 PACKAGING: LAYERS IN TRAY IN CARDBOARD BOX
Verpackung: Lageweise in Tray in Karton
 - 7 MATERIAL MARKING
Werkstoffkennzeichnung
 - 8 PRODUCTION-DATE
Produktions-Datum
 - (D2) 9 CUSTOMER RESTRICTED PACKAGING VERSION
Kundenspezifische Verpackungsvariante
 - 10 OBSOLETE PARTS: OBSOLETE CIS STREAMLINING
PER D.RENAUD/D.SINISI



GEGENSTECKER COUNTERPARTS		
0-1355541-1/-2	1	COVER WITH SLIDE, 180° CABLEOUTLET,CODING A/B
0-1241724-1/-2	1	MOS-RECEPTACLE HOUSING, 32POS
AMP BESTELL-NR. AMP ORDER NO.	STK. QTY.	BENENNUNG DESCRIPTION

0-...-1 AS SHOWN
 WIE GEZEICHNET

AMP PART NO. AMP Bestell-Nr.	REV.	ASSY-NO. ZSB-Nr.	DIM. "A"	DESCRIPTION Beschreibung	QTY. Stck.	MATERIAL	SURFACE COLOR	ITEM NO.
2-1355587-4	A	ZSB 1355587	1.6	AMP MODU II PIN	32	CuSn6	TIN PLATED	2
				PIN HEADER 32POS., COD. B	1	PA6-(GB20+GF10)	BLUE	5
2-1355587-3	A	ZSB 1355587	1.6	AMP MODU II PIN	32	CuSn6	TIN PLATED	2
				PIN HEADER 32POS., COD. A	1	PA6-(GB20+GF10)	BLACK	4

AMP PART NO. AMP Bestell-Nr.	REV.	ASSY-NO. ZSB-Nr.	DIM. "A"	DESCRIPTION Beschreibung	QTY. Stck.	MATERIAL	SURFACE COLOR	ITEM NO.
0-1355587-4	B	ZSB 1355587	1.6	AMP MODU II PIN	32	CuSn6	TIN PLATED	2
				PIN HEADER 32POS., COD. B	1	PA6-(GB20+GF10)	BLUE	5
0-1355587-3	B	ZSB 1355587	1.6	AMP MODU II PIN	32	CuSn6	TIN PLATED	2
				PIN HEADER 32POS., COD. A	1	PA6-(GB20+GF10)	BLACK	4
0-1355587-2	D	ZSB 1355587-2	3.5	AMP MODU II PIN	32	CuSn6	TIN PLATED	2
				PIN HEADER 32POS., COD. B	1	PA6-(GB20+GF10)	BLUE	3
0-1355587-1	D	ZSB 1355587-1	3.5	AMP MODU II PIN	32	CuSn6	TIN PLATED	2
				PIN HEADER 32POS., COD. A	1	PA6-(GB20+GF10)	BLACK	1

THIS DRAWING IS A CONTROLLED DOCUMENT.

DIMENSIONS: mm

TOLERANCES UNLESS OTHERWISE SPECIFIED:

0 PLC	±0.3
1 PLC	±0.3
2 PLC	±0.3
3 PLC	±0.3
4 PLC	±0.3
ANGLES	±°

MATERIAL: SEE TABLE

Customer Drawing

DWN: J. Juin 24JUN99
 CHK: H. Schmitt 24JUN99
 APVD: -

NAME: AMP MODU II PIN HEADER 32POS.
 AMP MODU II Stiftwanne 32pol.

SIZE: A1 CAGE CODE: DRAWING NO: C=1355587 RESTRICTED TO: -

SCALE: 5:1 SHEET 1 OF 2 REV: D4

