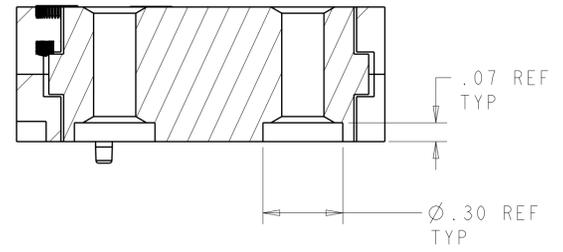
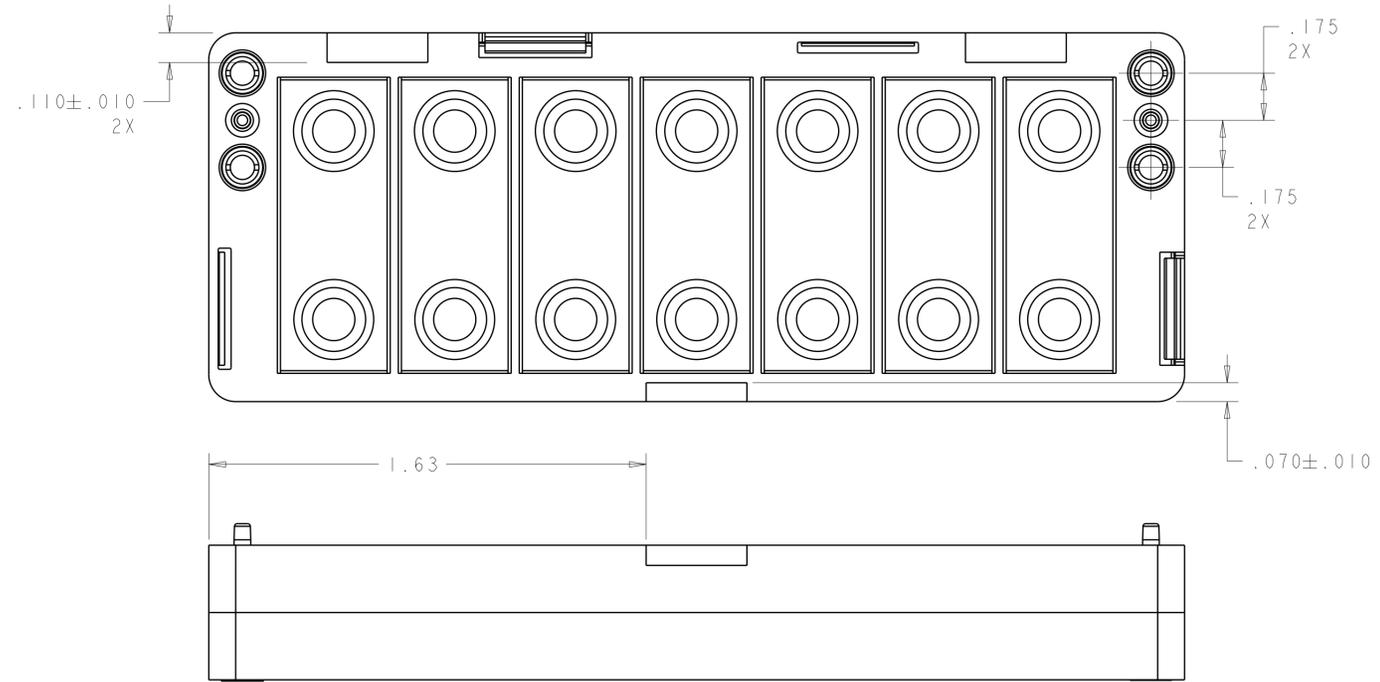
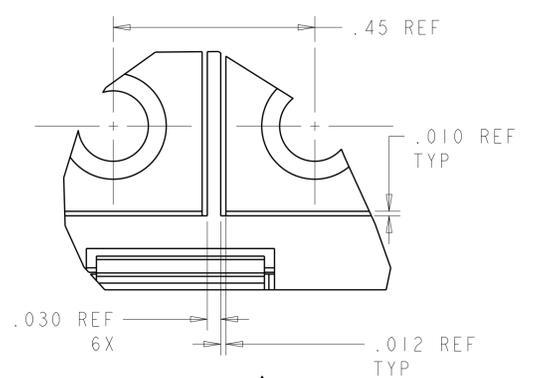
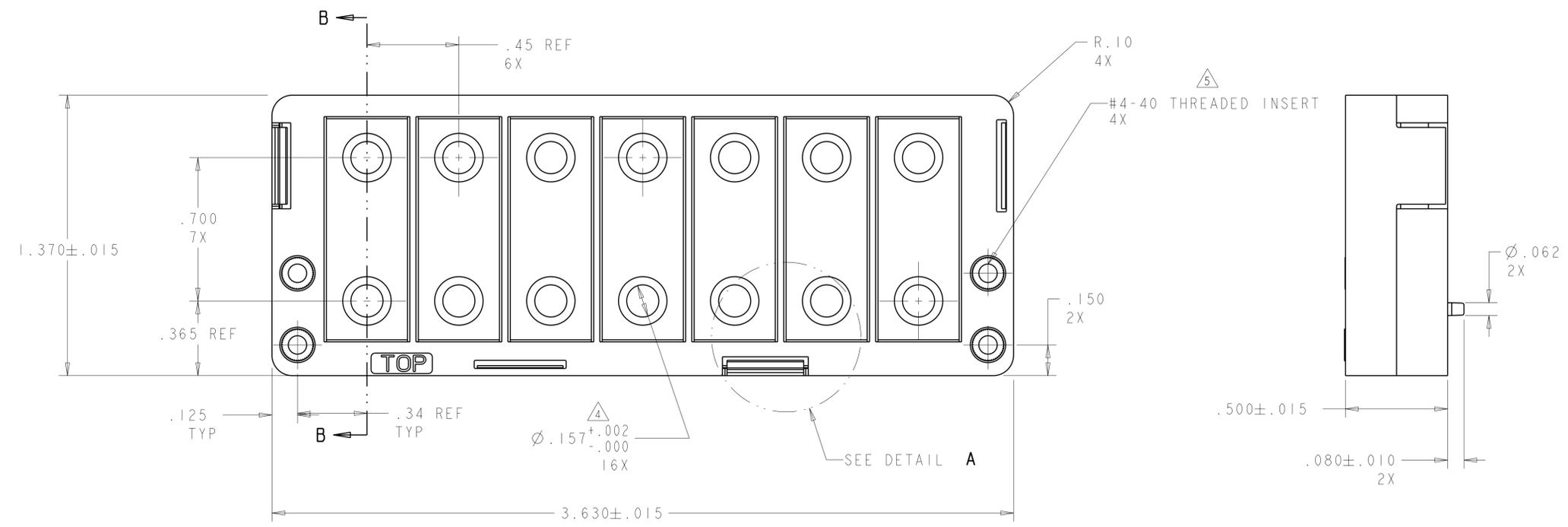


LOC	DIST	REV	DATE	BY	CHK	APPV
-	-	B	08JUN2009	HMR	GS	
-	-	C	14JAN2010	RG	DO	



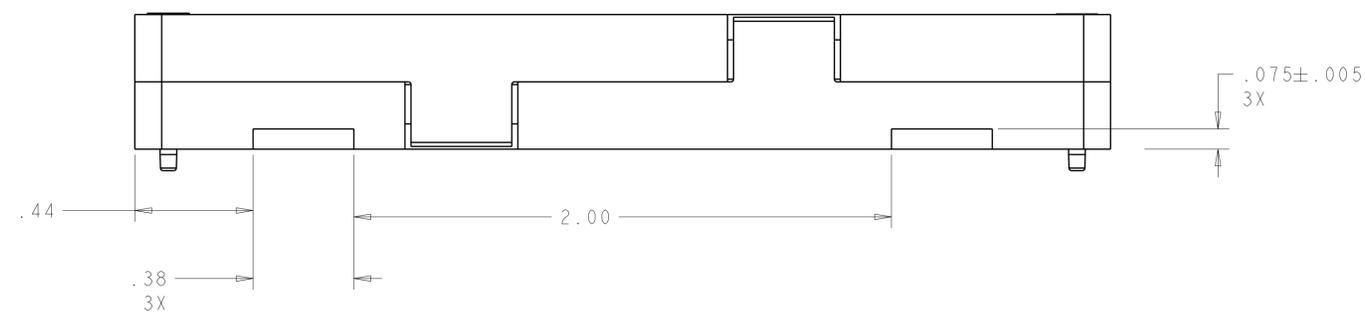
SECTION B-B
 ROTATED 90° CW



DETAIL A
 SCALE 5:1

NOTES:

- MATERIALS
 POWER BLOCK: ALUMINUM
 POWER BLOCK RETAINER: PBT, UL 94V-0
 THREADED INSERT: BRASS
- FINISHES
 POWER BLOCK: GOLD OVER NICKEL
- FOR MATING PIN REFER TO THE 1954041 DRAWING
- POWER BLOCK BORES LUBRICATED
- MAXIMUM SCREW TORQUE 4.0 INCH-LBS (0.46 kgf-m)



1954038-2
 PART NUMBER

DIMENSIONS: INCHES 		TOLERANCES UNLESS OTHERWISE SPECIFIED: 9 PLC ±.1 1 PLC ±0.1 2 PLC ±0.02 3 PLC ±0.005 4 PLC ±0.0005 ANGLES ±.1		DWN M. MOSTOLLER 15JUN2006 CHK M. MOSTOLLER 15JUN2006 APVD M. MOSTOLLER 15JUN2006 PRODUCT SPEC APPLICATION SPEC WEIGHT CUSTOMER DRAWING		Tyco Electronics Harrisburg, PA 17105-3608 NAME POWER BLOCK, 7 POS SIZE CAGE CODE DRAWING NO A100779C=1954038 SCALE 3:1 SHEET 1 OF 1 REV C	
---------------------------	--	---	--	---	--	--	--