

注記 NOTES:

- ① 材料及び仕上げ (めっき仕様) : TABLE 1, TABLE 2 参照  
MATERIAL AND FINISHES (PLATING SPECIFICATION) : SEE TABLE 1, TABLE 2.
- ② 嵌合相手 : 505565シリーズ  
MATE WITH: 505565 SERIES
- ③ 偶数極 に適用  
APPLY TO EVEN CIRCUIT.
- ④ 製品仕様書 : 5055650002 PS 000  
PRODUCT SPECIFICATION: 5055650002 PS 000
- ⑤ 発注番号 : SHEET 5 参照  
ORDER NUMBER : PLEASE REFER TO SHEET 5

505568 \*\*\*

極数  
CIRCUIT SIZE

| 番号<br>NO. | 接点部 金めっき厚<br>CONTACT<br>GOLD PLATING THICKNESS<br>[MICROMETER MINIMUM] |
|-----------|--|
| 8         | 0.1  |
| 3         | 0.38   |
| 5         | 0.76   |

| 番号<br>NO. | ハウジングカラー<br>HOUSING COLOR      |
|-----------|--------------------------------|
| 0         | ナチュラル(ベージュ)<br>NATURAL (BEIGE) |
| 1         | 黒 BLACK                        |
| 2         | 赤 RED                          |
| 3         | 黄 YELLOW                       |
| 4         | 青 BLUE                         |
| 6         | 緑 GREEN                        |
| 8         | 橙 ORANGE                       |

- 6. ターミナルとネイルの平坦度は0.1mm以下  
TERMINAL AND NAIL COPLANARITY : 0.1mm MAXIMUM.
- 7. コネクタ取扱説明書 : 5055650000-AS PS 000  
APPLICATION SPECIFICATION: 5055650000-AS PS 000

奇数キャビティ : キャビティ番号及び金型番号  
EVEN CAVITY: TRADE MARK

奇数キャビティ : トレードマーク  
EVEN CAVITY: CAVITY AND MOLD NUMBER

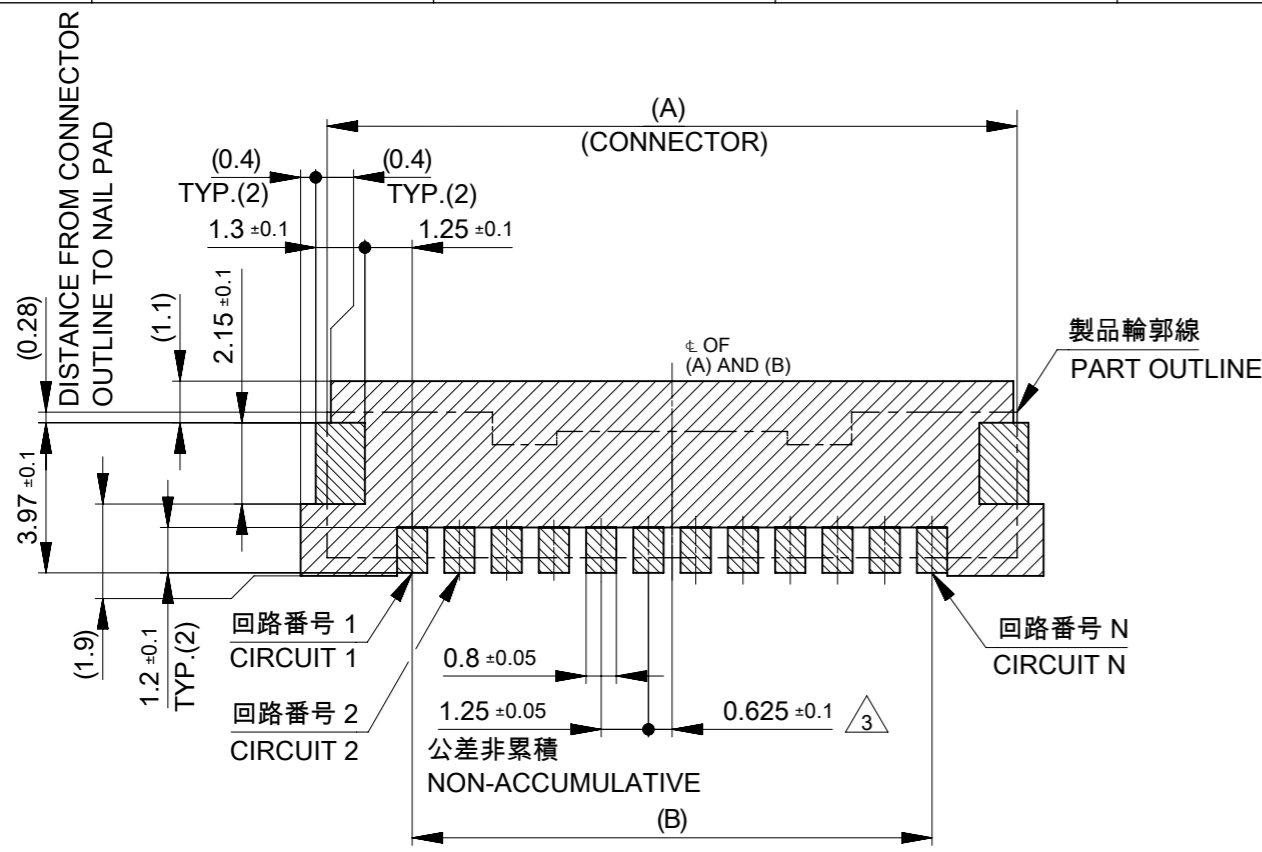
① TABLE 1

| 番号<br>NO. | 部品<br>PART           | 材質<br>MATERIAL   |
|-----------|----------------------|--|
| ①         | ハウジング<br>HOUSING     | ポリアミド(PA),ガラス充填,UL94 V-0,色 : SHEET 5参照<br>POLYAMIDE (PA),GLASS FILLED,UL94 V-0,COLOR:SEE SHEET 5 |
| ②         | ターミナル<br>TERMINAL    | 黄銅<br>BRASS  |
|           |                      | 接点部 : 金めっき めっき厚は注記5参照<br>CONTACT : GOLD PLATING<br>PLATING THICKNESS : SEE NOTE 5.               |
|           |                      | ニッケルめっき(下地めっき) : 1.0 MICROMETER MINIMUM<br>NICKEL PLATING (UNDER PLATING)                        |
| ③         | ネイル<br>NAIL          | 黄銅<br>BRASS  |
|           |                      | 錫めっき : 1.0 MICROMETER MINIMUM<br>MATTE TIN PLATING   |
|           |                      | ニッケルめっき(下地めっき) : 1.0 MICROMETER MINIMUM<br>NICKEL PLATING (UNDER PLATING)                        |
| ④         | カバーテープ<br>COVER TAPE | ポリイミド<br>POLYIMIDE   |

|      |      |      |        |    |       |       |       |                    |
|------|------|------|--------|----|-------|-------|-------|--------------------|
| 49.4 | 45.4 | 20.2 | 44±0.3 | 12 | 22.2  | 18.75 | 23.25 | 16                 |
|      |      |      |        |    | 20.95 | 17.5  | 22    | 15                 |
|      |      |      |        |    | 19.7  | 16.25 | 20.75 | 14                 |
| 37.4 | 33.4 | 14.2 | 32±0.3 | 12 | 18.45 | 15    | 19.5  | 13                 |
|      |      |      |        |    | 17.2  | 13.75 | 18.25 | 12                 |
|      |      |      |        |    | 15.95 | 12.5  | 17    | 11                 |
|      |      |      |        |    | 14.7  | 11.25 | 15.75 | 10                 |
|      |      |      |        | 10 | 13.45 | 10    | 14.5  | 9                  |
|      |      |      |        | 8  | 12.2  | 8.75  | 13.25 | 8                  |
|      |      |      |        |    | 10.95 | 7.5   | 12    | 7                  |
|      |      |      |        |    | 9.7   | 6.25  | 10.75 | 6                  |
|      |      |      |        | 7  | 8.45  | 5     | 9.5   | 5                  |
|      |      |      |        | 5  | 7.2   | 3.75  | 8.25  | 4                  |
|      |      |      |        |    | 5.95  | 2.5   | 7     | 3                  |
|      |      |      |        |    | 4.7   | 1.25  | 5.75  | 2                  |
| H    | G    | F    | E      | D  | C     | B     | A     | 極数<br>CIRCUIT SIZE |

THIS DRAWING CONTAINS INFORMATION THAT IS PROPRIETARY TO MOLEX ELECTRONIC TECHNOLOGIES, LLC AND SHOULD NOT BE USED WITHOUT WRITTEN PERMISSION

|  |              |                              |                    |                          |                                |                     |  |   |
|--|--------------|------------------------------|--------------------|--------------------------|--------------------------------|---------------------|--|---|
| DIMENSION UNITS<br>mm                                      | SCALE<br>NTS | CURRENT REV DESC:            |                    | <b>molex</b>             |                                |                     |  |   |
| GENERAL TOLERANCES (UNLESS SPECIFIED)                      |              | EC NO: 736271                |                    |                          |                                |                     |  | MICRO-LOCK PLUS 1.25 W/B<br>SINGLE ROW VERTICAL SMT PLUG ASSEMBLY<br>GOLD PLATING |
| ANGULAR TOL ± 3.0°   |              | DRWN: SOKUMURA01 2022/12/27  |                    | PRODUCT CUSTOMER DRAWING |                                |                     |  |   |
| 4 PLACES ± 0.2   |              | CHK'D: SAKIYAMA 2023/02/16   |                    |                          |                                |                     |  | DOCUMENT NUMBER<br>5055680010-SD  |
| 3 PLACES ± 0.2   |              | APPR: AIDA 2023/02/16        |                    | DOC TYPE<br>PSD          |                                |                     |  |   |
| 2 PLACES ± 0.2   |              | INITIAL REVISION:            |                    |                          |                                |                     |  | DOC PART<br>000   |
| 1 PLACE ± 0.2  |              | DRWN: RWATANABE01 2017/11/28 |                    | REVISION<br>D            |                                |                     |  |   |
| 0 PLACES ± 0.2   |              | APPR: TKANEKO 2017/12/06     |                    |                          |                                |                     |  | SHEET NUMBER<br>1 OF 5  |
| DRAFT WHERE APPLICABLE<br>MUST REMAIN<br>WITHIN DIMENSIONS |              | THIRD ANGLE PROJECTION       | DRAWING<br>A3-SIZE | SERIES<br>505568         | MATERIAL NUMBER<br>SEE SHEET 5 | CUSTOMER<br>GENERAL |  |   |

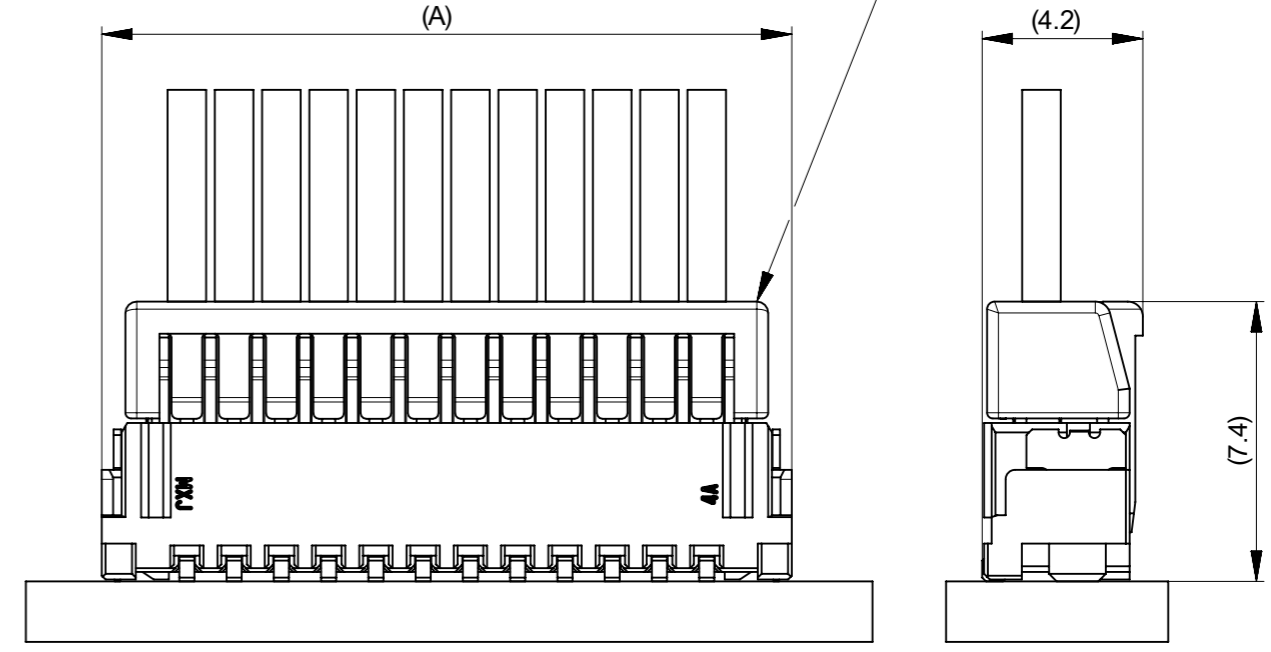


**推奨基板レイアウト  
RECOMMENDED PCB PATTERN LAYOUT**

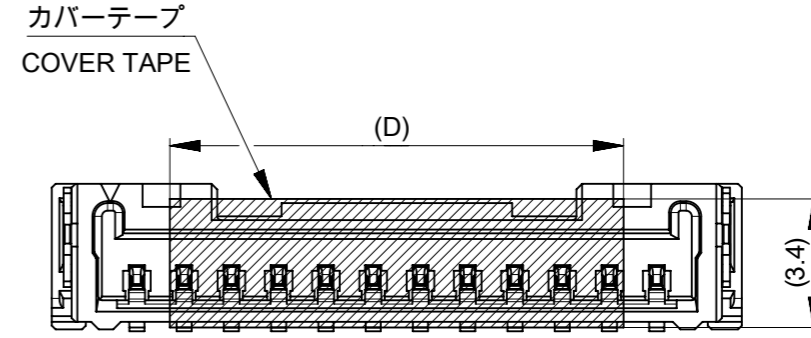
(参考: 基板厚1.6mm, メタルマスク厚さ 0.15mm, マスク開口率 100%)  
(REFERENCE: PCB THICKNESS 1.6mm, STENCIL THICKNESS 0.15mm, APERTURE RATIO 100%)

**パターン非推奨エリア**  
パターンを引き回す際は、製品機能に影響がないことをご確認ください。  
PATTERN IS NOT RECOMMENDED ON THE HATCHING AREA  
PLEASE CHECK NOT TO HAVE PROBLEM FOR PRODUCT FUNCTION  
WHEN SETTING PATTERN ON THE HATCHING AREA.

△ 2 嵌合相手 505565シリーズ  
MATE WITH : 505565 SERIES



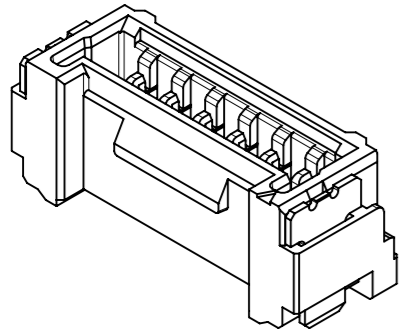
嵌合状態図  
MATED CONNECTORS



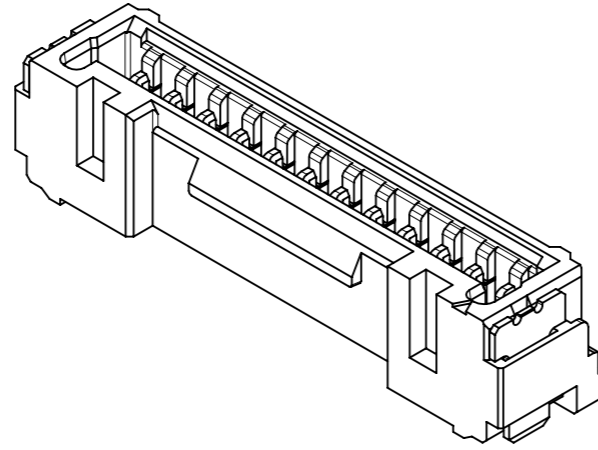
吸着範囲  
SUCTION AREA

|   |  |                     |  |  |  |            |  |                  |  |
|---|--|---------------------|--|--|--|------------|--|------------------|--|
| THIS DRAWING CONTAINS INFORMATION THAT IS PROPRIETARY TO MOLEX ELECTRONIC TECHNOLOGIES, LLC AND SHOULD NOT BE USED WITHOUT WRITTEN PERMISSION |  |                     |  |  |  |            |  |                  |  |
| DIMENSION UNITS<br><b>mm</b>  |  | SCALE<br><b>NTS</b> |  | CURRENT REV DESC:  |  |            |  |                  |  |
| GENERAL TOLERANCES (UNLESS SPECIFIED)   |  |                     |  | <p><b>molex</b></p> <p>MICRO-LOCK PLUS 1.25 W/B<br/>SINGLE ROW VERTICAL SMT PLUG ASSEMBLY<br/>GOLD PLATING</p> <p>PRODUCT CUSTOMER DRAWING</p> |  |            |  |                  |  |
| ANGULAR TOL   |  | ± 3.0 °             |  |  |  |            |  |                  |  |
| 4 PLACES  |  | ± 0.2               |  |  |  |            |  |                  |  |
| 3 PLACES  |  | ± 0.2               |  |  |  |            |  |                  |  |
| 2 PLACES  |  | ± 0.2               |  |  |  |            |  |                  |  |
| 1 PLACE   |  | ± 0.2               |  | EC NO: 736271  |  | 2022/12/27 |  | DRWN: SOKUMURA01 |  |
| 0 PLACES  |  | ± 0.2               |  | CHK'D: SAKIYAMA  |  | 2023/02/16 |  | APPR: AIDA       |  |
| DRAFT WHERE APPLICABLE MUST REMAIN WITHIN DIMENSIONS  |  |                     |  | THIRD ANGLE PROJECTION   |  | DRAWING    |  | SERIES           |  |
| DOCUMENT STATUS   |  | P1                  |  | RELEASE DATE   |  | 2023/02/16 |  | 15:22:45         |  |
| DOCUMENT NUMBER   |  | 5055680010-SD       |  | DOC TYPE   |  | PSD        |  | DOC PART         |  |
| MATERIAL NUMBER   |  | SEE SHEET 5         |  | CUSTOMER   |  | GENERAL    |  | REVISION         |  |
| SHEET NUMBER  |  | 2 OF 5              |  | INITIAL REVISION:  |  | 2017/11/28 |  | 2017/12/06       |  |
| DRAWING   |  | A3-SIZE             |  | SERIES   |  | 505568     |  | SHEET NUMBER     |  |

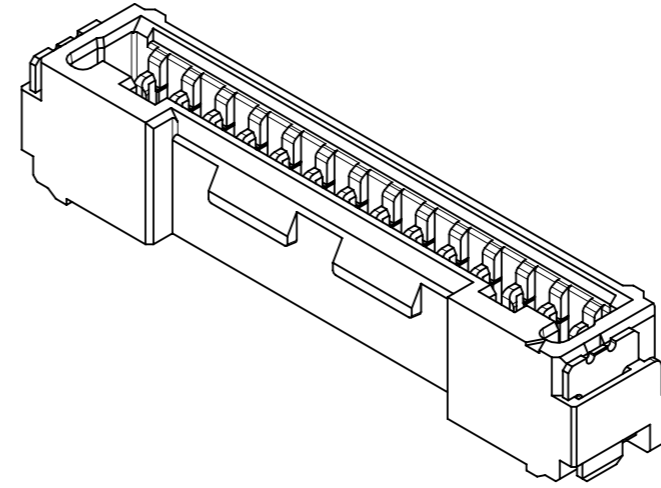
製品形状  
PRODUCT SHAPE



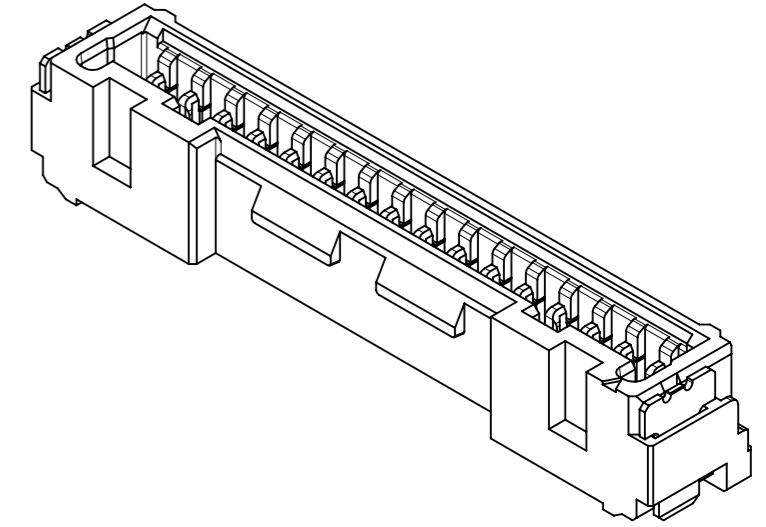
2-11極  
2-11 CIRCUIT



12-13極  
12-13 CIRCUIT

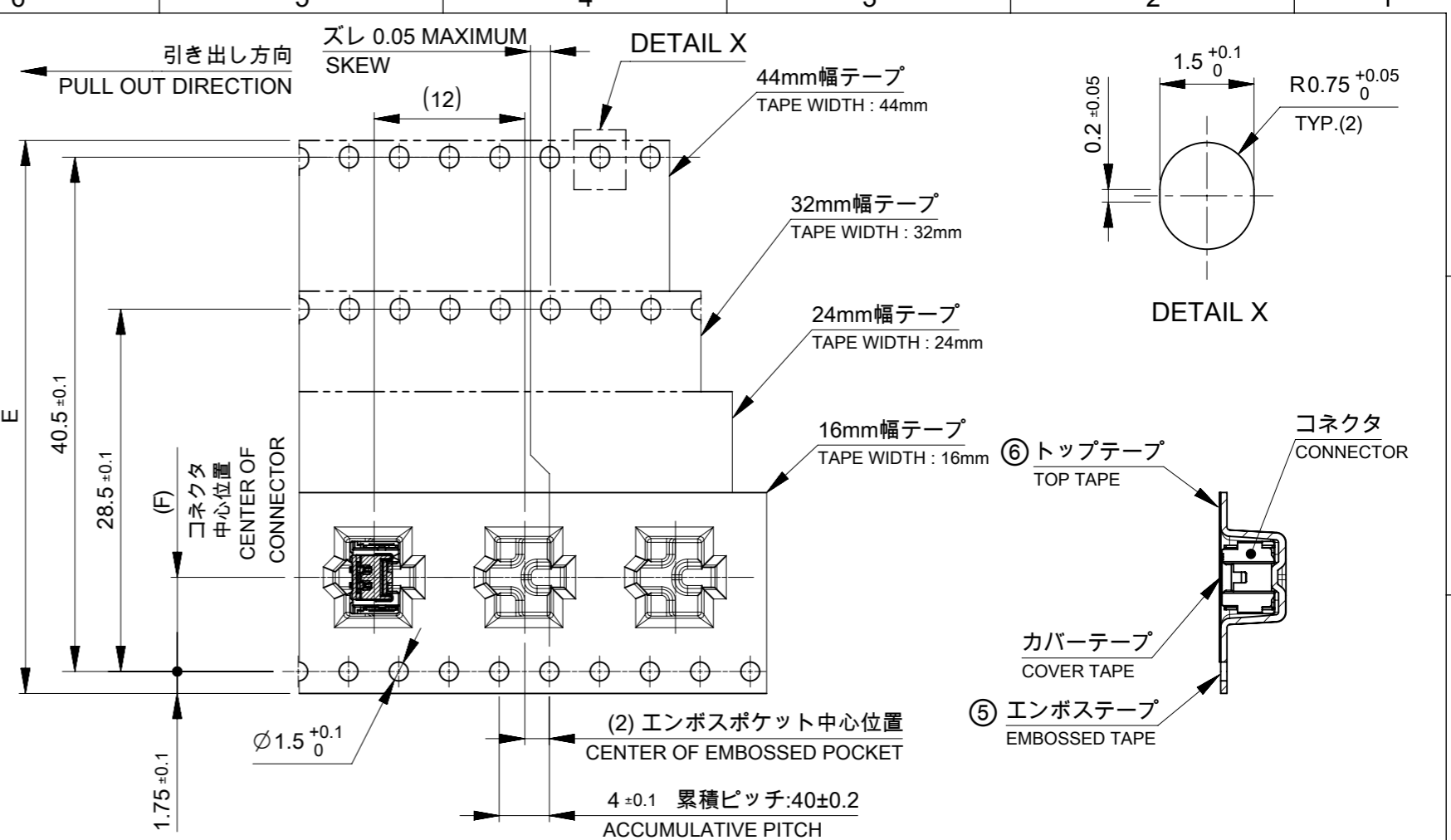
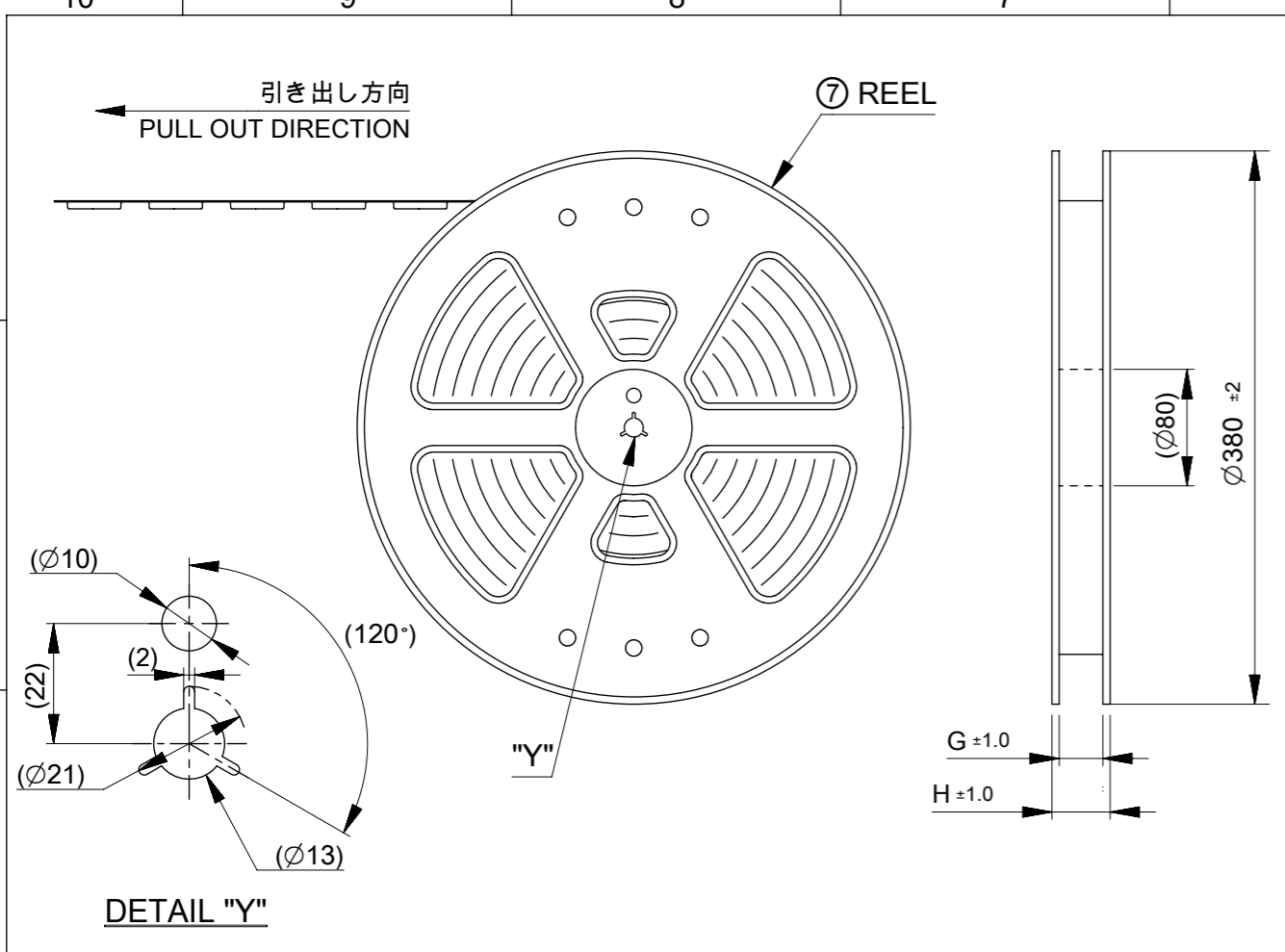


14極  
14 CIRCUIT



15-16極  
15-16 CIRCUIT

|   |  |                        |  |                              |  |        |  |   |  |
|---|--|------------------------|--|------------------------------|--|--------|--|---|--|
| THIS DRAWING CONTAINS INFORMATION THAT IS PROPRIETARY TO MOLEX ELECTRONIC TECHNOLOGIES, LLC AND SHOULD NOT BE USED WITHOUT WRITTEN PERMISSION |  |                        |  |                              |  |        |  |   |  |
| DIMENSION UNITS   |  | SCALE                  |  | CURRENT REV DESC:            |  |        |  |   |  |
| mm  |  | NTS                    |  |                              |  |        |  |   |  |
| GENERAL TOLERANCES (UNLESS SPECIFIED)   |  |                        |  | EC NO: 736271                |  |        |  | MICRO-LOCK PLUS 1.25 W/B<br>SINGLE ROW VERTICAL SMT PLUG ASSEMBLY<br>GOLD PLATING |  |
| ANGULAR TOL ± 3.0 °   |  |                        |  | DRWN: SOKUMURA01 2022/12/27  |  |        |  |   |  |
| 4 PLACES ± 0.2  |  |                        |  | CHK'D: SAKIYAMA 2023/02/16   |  |        |  | PRODUCT CUSTOMER DRAWING  |  |
| 3 PLACES ± 0.2  |  |                        |  | APPR: AIDA 2023/02/16        |  |        |  |   |  |
| 2 PLACES ± 0.2  |  |                        |  | INITIAL REVISION:            |  |        |  | DOCUMENT NUMBER   |  |
| 1 PLACE ± 0.2   |  |                        |  | DRWN: RWATANABE01 2017/11/28 |  |        |  | 5055680010-SD   |  |
| 0 PLACES ± 0.2  |  |                        |  | APPR: TKANEKO 2017/12/06     |  |        |  | PSD 000 D   |  |
| DRAFT WHERE APPLICABLE MUST REMAIN WITHIN DIMENSIONS  |  | THIRD ANGLE PROJECTION |  | DRAWING                      |  | SERIES |  | SHEET NUMBER  |  |
|   |  |                        |  | A3-SIZE                      |  | 505568 |  | 3 OF 5  |  |



注記 NOTES

- 8. 梱包数量 : 1200個 / リール  
NUMBER OF CONNECTORS : 1200 PCS/REEL.
  - 9. リードテープ長さ  
LEAD TAPE LENGTH.
- 
- 10. トップテープの剥離強度はIEC60286-3に準拠  
TOP TAPE PEELING FORCE IS DEFINED BY IEC60286-3
  - 11. 梱包仕様書 : 5055689200 PS 200  
PACKING SPECIFICATION : 5055689200 PS 200

TABLE 2

| 番号 NO. | 部品 PART               | 材質 MATERIAL   |
|--------|-----------------------|---|
| ⑤      | エンボステープ EMBOSSED TAPE | ポリスチレン(PS) POLYSTYRENE(PS)  |
| ⑥      | トップテープ TOP TAPE       | ポリエチレン(PE), その他 POLYETHYLENE(PE), ETC                                 |
| ⑦      | リール REEL              | ポリスチレン(PS) <リサイクル材を含む> POLYSTYRENE(PS) < RECYCLE MATERIAL CONTAINED > |

THIS DRAWING CONTAINS INFORMATION THAT IS PROPRIETARY TO MOLEX ELECTRONIC TECHNOLOGIES, LLC AND SHOULD NOT BE USED WITHOUT WRITTEN PERMISSION

|  |         |                   |                 |
|--|---------|-------------------|-----------------|
| DIMENSION UNITS                                      | SCALE   | CURRENT REV DESC: |                 |
| mm   | NTS     |                   |                 |
| GENERAL TOLERANCES (UNLESS SPECIFIED)                |         |                   |                 |
| ANGULAR TOL  | ± 3.0 ° |                   |                 |
| 4 PLACES   | ± 0.2   | EC NO: 736271     |                 |
| 3 PLACES   | ± 0.2   | DRWN: SOKUMURA01  | 2022/12/27      |
| 2 PLACES   | ± 0.2   | CHK'D: SAKIYAMA   | 2023/02/16      |
| 1 PLACE  | ± 0.2   | APPR: AIDA        | 2023/02/16      |
| 0 PLACES   | ± 0.2   | INITIAL REVISION: |                 |
| DRAFT WHERE APPLICABLE MUST REMAIN WITHIN DIMENSIONS |         | DRWN: RWATANABE01 | 2017/11/28      |
| THIRD ANGLE PROJECTION                               |         | APPR: TKANEKO     | 2017/12/06      |
| DRAWING  |         | SERIES            | MATERIAL NUMBER |
| A3-SIZE  |         | 505568            | 5055680010-SD   |
| CUSTOMER   |         | DOCUMENT NUMBER   | DOC TYPE        |
| GENERAL  |         | PSD               | 000             |
| SHEET NUMBER   |         | 4 OF 5            |                 |

**molex**

MICRO-LOCK PLUS 1.25 W/B  
SINGLE ROW VERTICAL SMT PLUG ASSEMBLY  
GOLD PLATING

PRODUCT CUSTOMER DRAWING

DOCUMENT NUMBER: 5055680010-SD  
DOC TYPE: PSD  
DOC PART: 000  
REVISION: D

△ 505568\*\*8\* 発注番号一覧 ORDER NUMBER LIST


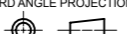
| ORANGE   | GREEN      | BLUE       | YELLOW     | RED        | BLACK      | NATURAL (BEIGE) | HOUSING COLOR      |
|--|------------|------------|------------|------------|------------|-----------------|--------------------|
| 5055681688   | 5055681686 | 5055681684 | 5055681683 | 5055681682 | 5055681681 | 5055681680      | 16                 |
| 5055681588   | 5055681586 | 5055681584 | 5055681583 | 5055681582 | 5055681581 | 5055681580      | 15                 |
| 5055681488   | 5055681486 | 5055681484 | 5055681483 | 5055681482 | 5055681481 | 5055681480      | 14                 |
| 5055681388   | 5055681386 | 5055681384 | 5055681383 | 5055681382 | 5055681381 | 5055681380      | 13                 |
| 5055681288   | 5055681286 | 5055681284 | 5055681283 | 5055681282 | 5055681281 | 5055681280      | 12                 |
| 5055681188   | 5055681186 | 5055681184 | 5055681183 | 5055681182 | 5055681181 | 5055681180      | 11                 |
| 5055681088   | 5055681086 | 5055681084 | 5055681083 | 5055681082 | 5055681081 | 5055681080      | 10                 |
| 5055680988   | 5055680986 | 5055680984 | 5055680983 | 5055680982 | 5055680981 | 5055680980      | 9                  |
| 5055680888   | 5055680886 | 5055680884 | 5055680883 | 5055680882 | 5055680881 | 5055680880      | 8                  |
| 5055680788   | 5055680786 | 5055680784 | 5055680783 | 5055680782 | 5055680781 | 5055680780      | 7                  |
| 5055680688   | 5055680686 | 5055680684 | 5055680683 | 5055680682 | 5055680681 | 5055680680      | 6                  |
| 5055680588   | 5055680586 | 5055680584 | 5055680583 | 5055680582 | 5055680581 | 5055680580      | 5                  |
| 5055680488   | 5055680486 | 5055680484 | 5055680483 | 5055680482 | 5055680481 | 5055680480      | 4                  |
| 5055680388   | 5055680386 | 5055680384 | 5055680383 | 5055680382 | 5055680381 | 5055680380      | 3                  |
| 5055680288   | 5055680286 | 5055680284 | 5055680283 | 5055680282 | 5055680281 | 5055680280      | 2                  |
| 発注番号 : ORDER NUMBER                                    |            |            |            |            |            |                 | 極数<br>CIRCUIT SIZE |
| 梱包形態 : エンボステープ梱包<br>PACKAGING : EMBOSSED TAPE AND REEL |            |            |            |            |            |                 |                    |

△ 505568\*\*5\* 発注番号一覧 ORDER NUMBER LIST

| ORANGE   | GREEN      | BLUE       | YELLOW     | RED        | BLACK      | NATURAL (BEIGE) | HOUSING COLOR      |
|--|------------|------------|------------|------------|------------|-----------------|--------------------|
| 5055681658   | 5055681656 | 5055681654 | 5055681653 | 5055681652 | 5055681651 | 5055681650      | 16                 |
| 5055681558   | 5055681556 | 5055681554 | 5055681553 | 5055681552 | 5055681551 | 5055681550      | 15                 |
| 5055681458   | 5055681456 | 5055681454 | 5055681453 | 5055681452 | 5055681451 | 5055681450      | 14                 |
| 5055681358   | 5055681356 | 5055681354 | 5055681353 | 5055681352 | 5055681351 | 5055681350      | 13                 |
| 5055681258   | 5055681256 | 5055681254 | 5055681253 | 5055681252 | 5055681251 | 5055681250      | 12                 |
| 5055681158   | 5055681156 | 5055681154 | 5055681153 | 5055681152 | 5055681151 | 5055681150      | 11                 |
| 5055681058   | 5055681056 | 5055681054 | 5055681053 | 5055681052 | 5055681051 | 5055681050      | 10                 |
| 5055680958   | 5055680956 | 5055680954 | 5055680953 | 5055680952 | 5055680951 | 5055680950      | 9                  |
| 5055680858   | 5055680856 | 5055680854 | 5055680853 | 5055680852 | 5055680851 | 5055680850      | 8                  |
| 5055680758   | 5055680756 | 5055680754 | 5055680753 | 5055680752 | 5055680751 | 5055680750      | 7                  |
| 5055680658   | 5055680656 | 5055680654 | 5055680653 | 5055680652 | 5055680651 | 5055680650      | 6                  |
| 5055680558   | 5055680556 | 5055680554 | 5055680553 | 5055680552 | 5055680551 | 5055680550      | 5                  |
| 5055680458   | 5055680456 | 5055680454 | 5055680453 | 5055680452 | 5055680451 | 5055680450      | 4                  |
| 5055680358   | 5055680356 | 5055680354 | 5055680353 | 5055680352 | 5055680351 | 5055680350      | 3                  |
| 5055680258   | 5055680256 | 5055680254 | 5055680253 | 5055680252 | 5055680251 | 5055680250      | 2                  |
| 発注番号 : ORDER NUMBER                                    |            |            |            |            |            |                 | 極数<br>CIRCUIT SIZE |
| 梱包形態 : エンボステープ梱包<br>PACKAGING : EMBOSSED TAPE AND REEL |            |            |            |            |            |                 |                    |

△ 505568\*\*3\* 発注番号一覧 ORDER NUMBER LIST

| ORANGE   | GREEN      | BLUE       | YELLOW     | RED        | BLACK      | NATURAL (BEIGE) | HOUSING COLOR      |
|--|------------|------------|------------|------------|------------|-----------------|--------------------|
| 5055681638   | 5055681636 | 5055681634 | 5055681633 | 5055681632 | 5055681631 | 5055681630      | 16                 |
| 5055681538   | 5055681536 | 5055681534 | 5055681533 | 5055681532 | 5055681531 | 5055681530      | 15                 |
| 5055681438   | 5055681436 | 5055681434 | 5055681433 | 5055681432 | 5055681431 | 5055681430      | 14                 |
| 5055681338   | 5055681336 | 5055681334 | 5055681333 | 5055681332 | 5055681331 | 5055681330      | 13                 |
| 5055681238   | 5055681236 | 5055681234 | 5055681233 | 5055681232 | 5055681231 | 5055681230      | 12                 |
| 5055681138   | 5055681136 | 5055681134 | 5055681133 | 5055681132 | 5055681131 | 5055681130      | 11                 |
| 5055681038   | 5055681036 | 5055681034 | 5055681033 | 5055681032 | 5055681031 | 5055681030      | 10                 |
| 5055680938   | 5055680936 | 5055680934 | 5055680933 | 5055680932 | 5055680931 | 5055680930      | 9                  |
| 5055680838   | 5055680836 | 5055680834 | 5055680833 | 5055680832 | 5055680831 | 5055680830      | 8                  |
| 5055680738   | 5055680736 | 5055680734 | 5055680733 | 5055680732 | 5055680731 | 5055680730      | 7                  |
| 5055680638   | 5055680636 | 5055680634 | 5055680633 | 5055680632 | 5055680631 | 5055680630      | 6                  |
| 5055680538   | 5055680536 | 5055680534 | 5055680533 | 5055680532 | 5055680531 | 5055680530      | 5                  |
| 5055680438   | 5055680436 | 5055680434 | 5055680433 | 5055680432 | 5055680431 | 5055680430      | 4                  |
| 5055680338   | 5055680336 | 5055680334 | 5055680333 | 5055680332 | 5055680331 | 5055680330      | 3                  |
| 5055680238   | 5055680236 | 5055680234 | 5055680233 | 5055680232 | 5055680231 | 5055680230      | 2                  |
| 発注番号 : ORDER NUMBER                                    |            |            |            |            |            |                 | 極数<br>CIRCUIT SIZE |
| 梱包形態 : エンボステープ梱包<br>PACKAGING : EMBOSSED TAPE AND REEL |            |            |            |            |            |                 |                    |

|   |  |         |  |  |  |         |  |                 |  |                  |  |            |  |
|---|--|---------|--|--|--|---------|--|-----------------|--|------------------|--|------------|--|
| THIS DRAWING CONTAINS INFORMATION THAT IS PROPRIETARY TO MOLEX ELECTRONIC TECHNOLOGIES, LLC AND SHOULD NOT BE USED WITHOUT WRITTEN PERMISSION |  |         |  |  |  |         |  |                 |  |                  |  |            |  |
| DIMENSION UNITS   |  | SCALE   |  | CURRENT REV DESC:  |  |         |  |                 |  |                  |  |            |  |
| mm  |  | NTS     |  | <br>MICRO-LOCK PLUS 1.25 W/B<br>SINGLE ROW VERTICAL SMT PLUG ASSEMBLY<br>GOLD PLATING<br>PRODUCT CUSTOMER DRAWING |  |         |  |                 |  |                  |  |            |  |
| GENERAL TOLERANCES (UNLESS SPECIFIED)   |  |         |  |  |  |         |  |                 |  | EC NO: 736271    |  | 2022/12/27 |  |
| ANGULAR TOL   |  | ± 3.0 ° |  |  |  |         |  |                 |  | DRWN: SOKUMURA01 |  | 2023/02/16 |  |
| 4 PLACES  |  | ± 0.2   |  |  |  |         |  |                 |  | CHK'D: SAKIYAMA  |  | 2023/02/16 |  |
| 3 PLACES  |  | ± 0.2   |  |  |  |         |  |                 |  | APPR: AIDA       |  | 2023/02/16 |  |
| 2 PLACES  |  | ± 0.2   |  | INITIAL REVISION:  |  |         |  | DOCUMENT NUMBER |  |                  |  |            |  |
| 1 PLACE   |  | ± 0.2   |  | DRWN: RWATANABE01  |  |         |  | 5055680010-SD   |  |                  |  |            |  |
| 0 PLACES  |  | ± 0.2   |  | APPR: TKANEKO  |  |         |  | PSD 000 D       |  |                  |  |            |  |
| DRAFT WHERE APPLICABLE MUST REMAIN WITHIN DIMENSIONS  |  |         |  | THIRD ANGLE PROJECTION   |  | DRAWING |  | SHEET NUMBER    |  |                  |  |            |  |
|   |  |         |  |   |  | A3-SIZE |  | 5 OF 5          |  |                  |  |            |  |