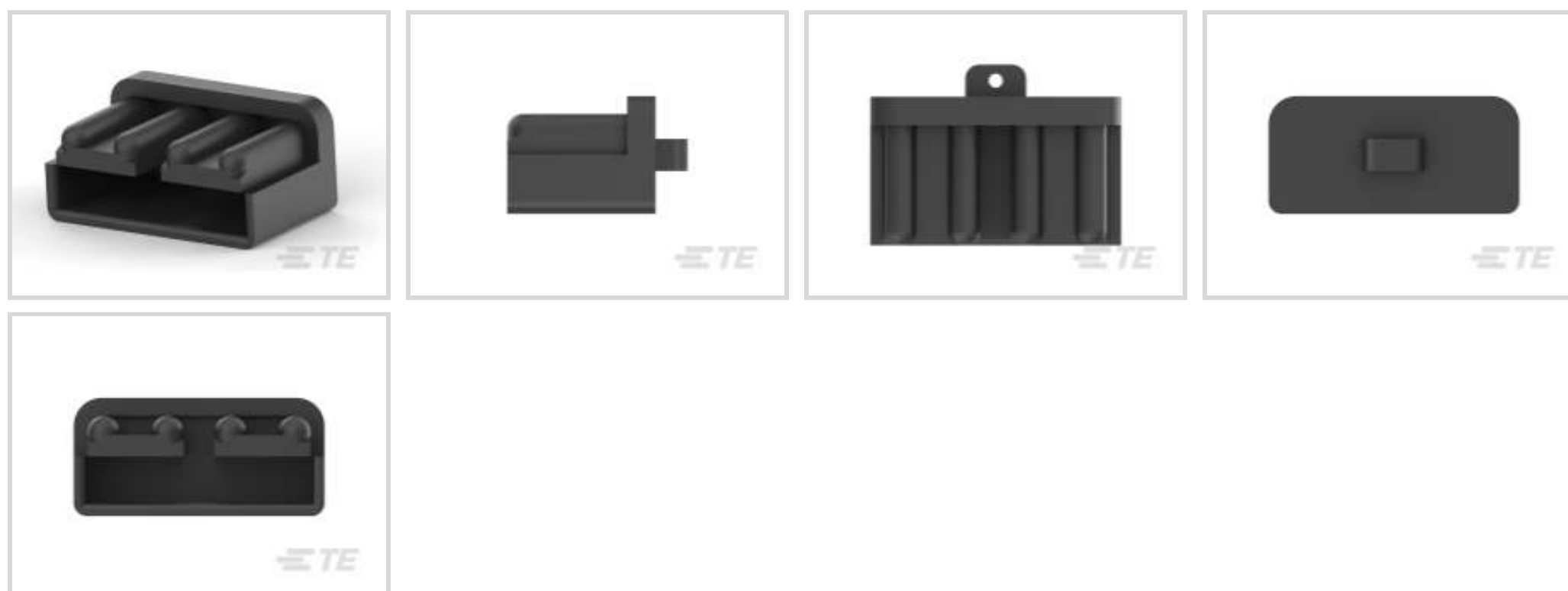




Connectors > Rectangular Connectors > Rectangular Connector Accessories > Rectangular Caps & Covers



Connector Cover Type: **Dust Cap**

Operating Temperature Range: -20 – 105 °C [-4 – 221 °F]

Features

Product Type Features

Connector Cover Type	Dust Cap
----------------------	----------

Body Features

Primary Product Color	Black
-----------------------	-------

Dimensions

Product Width	38.61 mm[1.52 in]
Product Length	53.66 mm[2.113 in]
Product Height	25.17 mm[.99 in]

Usage Conditions

Operating Temperature Range	-20 – 105 °C[-4 – 221 °F]
-----------------------------	---------------------------

Packaging Features

Packaging Quantity	1
Packaging Method	Package

Product Compliance

[For compliance documentation, visit the product page on TE.com>](#)

EU RoHS Directive 2011/65/EU	Compliant
EU ELV Directive 2000/53/EC	Compliant
China RoHS 2 Directive MIIT Order No 32, 2016	No Restricted Materials Above Threshold

EU REACH Regulation (EC) No. 1907/2006

Current ECHA Candidate List: JUNE 2023 (235)

Candidate List Declared Against: JAN 2019 (197)

Does not contain REACH SVHC

Halogen Content

Low Halogen - Br, Cl, F, I < 900 ppm per homogenous material. Also BFR/CFR/PVC Free

Solder Process Capability

Not applicable for solder process capability

Product Compliance Disclaimer

This information is provided based on reasonable inquiry of our suppliers and represents our current actual knowledge based on the information they provided. This information is subject to change. The part numbers that TE has identified as EU RoHS compliant have a maximum concentration of 0.1% by weight in homogenous materials for lead, hexavalent chromium, mercury, PBB, PBDE, DBP, BBP, DEHP, DIBP, and 0.01% for cadmium, or qualify for an exemption to these limits as defined in the Annexes of Directive 2011/65/EU (RoHS2). Finished electrical and electronic equipment products will be CE marked as required by Directive 2011/65/EU. Components may not be CE marked. Additionally, the part numbers that TE has identified as EU ELV compliant have a maximum concentration of 0.1% by weight in homogenous materials for lead, hexavalent chromium, and mercury, and 0.01% for cadmium, or qualify for an exemption to these limits as defined in the Annexes of Directive 2000/53/EC (ELV). Regarding the REACH Regulation, the information TE provides on SVHC in articles for this part number is based on the latest European Chemicals Agency (ECHA) 'Guidance on requirements for substances in articles' posted at this URL: <https://echa.europa.eu/guidance-documents/guidance-on-reach>

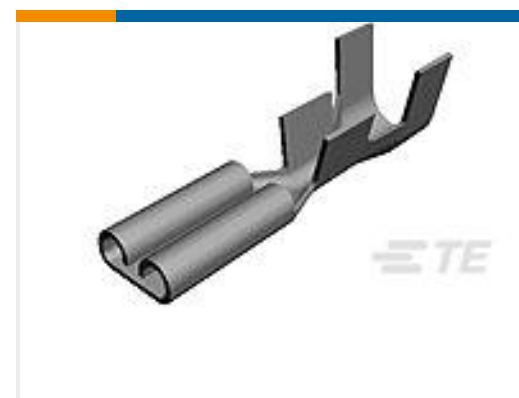
Customers Also Bought



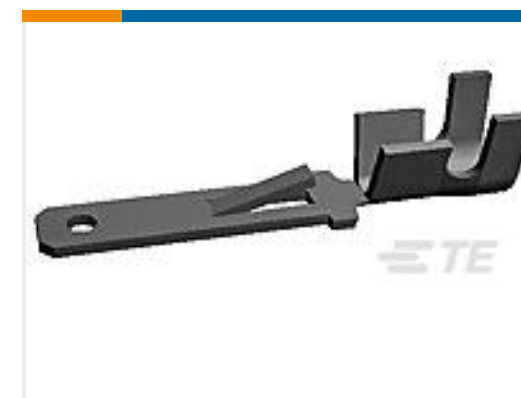
TE Part #9-2141157-1
SHIELD CRIMP FERRULE,90DEG



TE Part #9-2141158-2
CU ALLOY,SHIELD,8MM HV,CONN HSG,90 DEG



TE Part #160484-4
110 FASTON,REC.,20-17 AWG,BR



TE Part #160869-2
FF 250 TAB 0.5-1.0MM2 TPBR



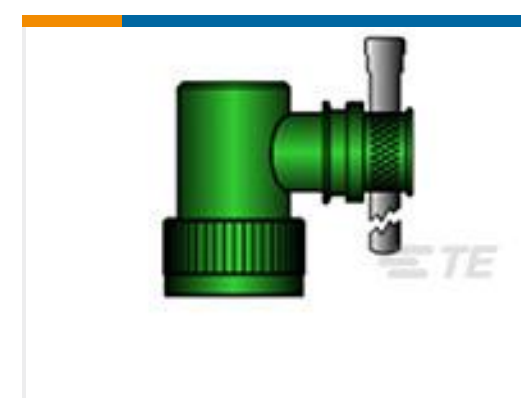
TE Part #7-1452665-2
MCON 1.2 LL REC SWS AU



TE Part #K1002924
Toggle Switch 08-2-1-14



TE Part #C21881-000
B-155-9004



TE Part #EF8624-000
R85049/90-15Z03



Documents

Product Drawings

[DUST COVER HSG, 175A PWR PROD](#)

English

CAD Files

Customer View Model

[ENG_CVM_647692-1_O.3d_igs.zip](#)

English

Customer View Model

[ENG_CVM_647692-1_O.3d_stp.zip](#)

English

Customer View Model

[ENG_CVM_647692-1_O.2d_dxf.zip](#)

English

3D PDF

English

By downloading the CAD file I accept and agree to the [Terms and Conditions](#) of use.

Datasheets & Catalog Pages

[POWER_CONNECTORS_CATALOG_SEC02_CABLE_MOUNTED](#)

English

[2_PIECE_POWER_CONNECTORS_qrg_4-1773458-1](#)

English

Product Specifications

[Application Specification](#)

English