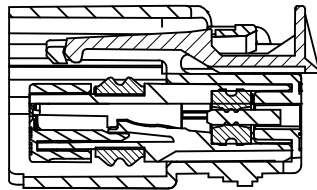
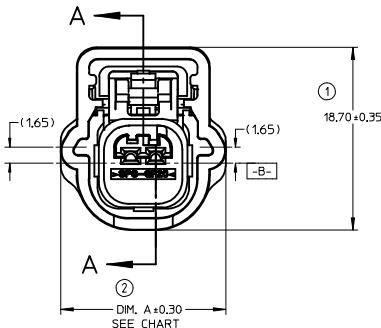


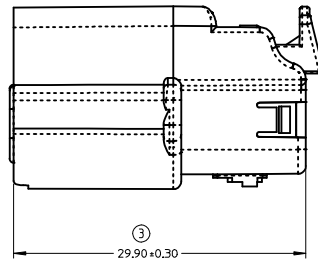
SECTION A-A
TPA SHOWN IN AS-SHIPED
PRE-LOCKED POSITION
SEE NOTE 3



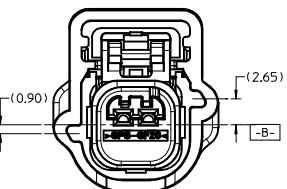
SECTION A-A
TPA SHOWN IN FINAL
LOCKED POSITION



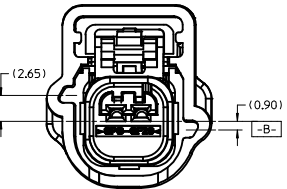
FRONT VIEW



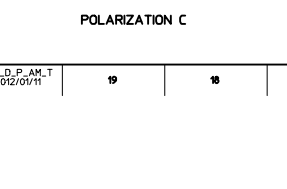
RIGHT SIDE VIEW



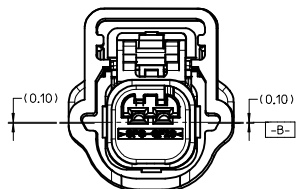
POLARIZATION A



POLARIZATION B



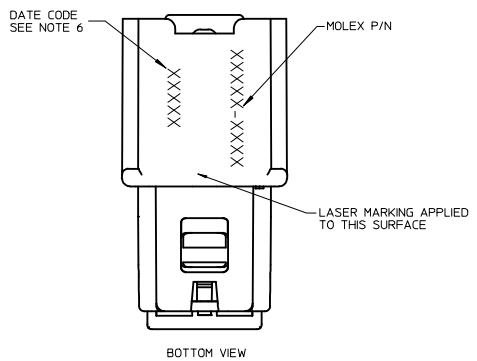
POLARIZATION C



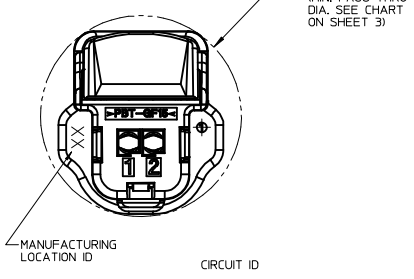
POLARIZATION D

PART NUMBER LEGEND
CONNECTOR ASSEMBLY

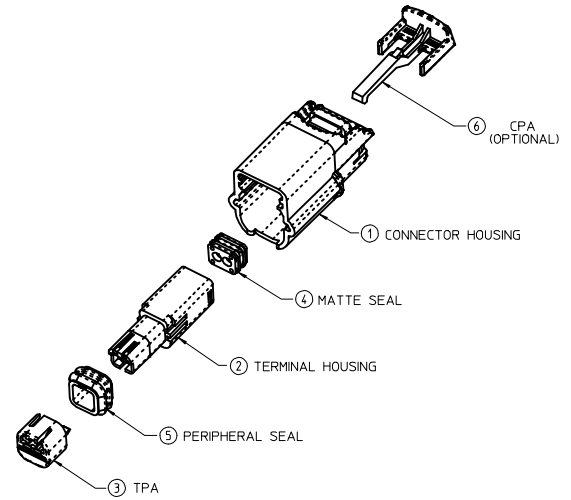
- 3140X-XXXX
- SEAL PLUG CONFIGURATION (AS MOLDED)
0 - ALL CIRCUITS OPEN
1-9 SEE CHART
- CPA OPTION
0 OR 2 - WITHOUT CPA
1 OR 3 - WITH CPA
4 - WITHOUT CPA, WITH CLIPSLOT
5 - WITH CPA, WITH CLIPSLOT
- USCAR POLARIZATION OPTION
1 - POLARIZATION OPTION A
2 - POLARIZATION OPTION B
3 - POLARIZATION OPTION C
4 - POLARIZATION OPTION D
5 - POLARIZATION OPTION B, BLACK
6 - POLARIZATION OPTION C, BLACK
7 - POLARIZATION OPTION D, BLACK
8 - POLARIZATION OPTION C, NATURAL
9 - POLARIZATION OPTION D, GRAY
- CIRCUIT SIZE 2, 3, 4, 5, 6 & 8
- TERMINAL OPTION
2 - TYCO/MOLEX GET 0.64
3 - MOLEX 0.64
4 - YAZAKI KAIZEN 0.64



BOTTOM VIEW



BACK VIEW



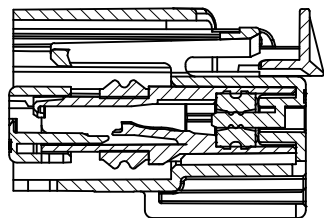
| ITEM | DESCRIPTION | COLOR |
|------|-------------------|-----------|
| 1 | CONNECTOR HOUSING | SEE CHART |
| 2 | TERMINAL HOUSING | BLACK |
| 3 | TPA | NATURAL |
| 4 | MATTE SEAL | SEE CHART |
| 5 | PERIPHERAL SEAL | SEE CHART |
| 6 | CPA - OPTIONAL | RED |

NOTES:

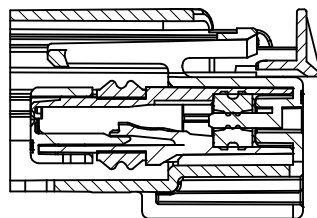
- DESIGNED TO MATE WITH DEVICE CONNECTION AS SPECIFIED IN USCAR DRAWINGS AVAILABLE AT <http://ewcap.uscarteams.org/>.
 - 1X2 064-S-002-1-Z02
 - 1X3 064-S-003-1-Z01
 - 1X4 064-S-004-1-Z02
 - 1X5 064-S-005-1-Z02
 - 1X6 064-S-006-1-Z02
 - 1X8 064-S-008-1-Z02
- ASSEMBLY SHIPPED WITH TPA IN PRE-LOCKED POSITION (SEE SECTION A-A). UPON FULL TERMINAL ASSEMBLY, TPA MUST BE SEATED TO THE FINAL LOCKED POSITION.
- TPA'S MAY BECOME SEATED DURING TRANSIT. IF THIS OCCURS, TPA'S SHOULD BE MOVED TO THE PRE-LOCKED POSITION PRIOR TO FEMALE TERMINAL INSTALLATION. REFERENCE PRODUCT SPECIFICATION: PS-34646-001
- SYSTEM TO BE USED WITH OUTSIDE WIRE DIAMETERS RANGING FROM 1.20MM TO 2.06MM WITHIN RANGE OF:
 - SAE 22 AWG TO 18 AWG PER ESB-ML123-A2
 - ISO 0.35MM² TO 0.75MM² PER GWM15626 AND ES-AU5T-1A348-AA
- POLARIZATION FEATURE EFFECTIVENESS PER USCAR-2 PARAGRAPH 5.4.4 IS REDUCED WHEN TESTING ALL POLARIZATION OPTIONS: 100N MIN.
- DATE CODE: FIRST TWO DIGITS ARE THE CALENDAR YEAR (EXAMPLE: 04 - 2004), THIRD THROUGH 5TH DIGIT DAY # OF THE CALENDAR YEAR (EXAMPLE: FEB. 3RD - '034').
- SEE SHEET #2 FOR CONNECTOR ASSEMBLY WITH CLIP SLOT.
- FOR CLIPSLOT CONNECTOR: CLIP OVERHANGS CONNECTOR. PLEASE CHECK APPLICATION (COULD CAUSE WIRE CHAFING)-SHORTER CLIP IS A RECOMMENDATION.

CONNECTOR ASSEMBLY WITHOUT CLIPSLOT

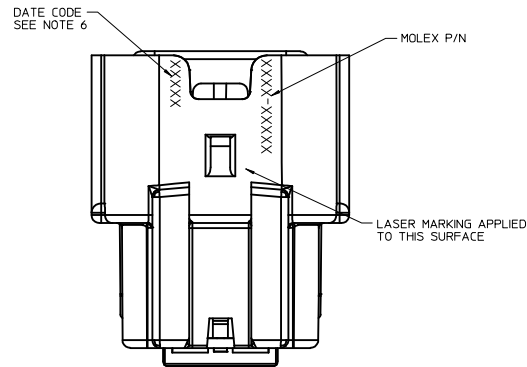
| | | | | | | |
|---|-----------------|---------------------------------------|----------------------------|---------------------|--|------------------------|
| ADD NEW P/N EEC NO: UAU2015-0819 DRWNG: DENG02 2014/11/20 CHKD: APPR: VKOSHY 2014/11/21 | QUALITY SYMBOLS | GENERAL TOLERANCES (UNLESS SPECIFIED) | DIMENSION STYLE MM ONLY | SCALE 4:1 | DESIGN UNITS METRIC | THIRD ANGLE PROJECTION |
| | ▽=0 | 4 PLACES ± --- INCH | DRAWN BY RCARLSON | DATE 2003/09/25 | TITLE 0.64 USCAR CONNECTOR SEALED SINGLE ROW ASSEMBLY | |
| | ▽=0 | 2 PLACES ± --- INCH | CHECKED BY RCARLSON | DATE 2004/09/28 | MATERIAL NO. SD-31402-211 | |
| | ▽=0 | 2 PLACES ± 0.13 INCH | APPROVED BY VKOSHY | DATE 2010/11/22 | DOCUMENT NO. SD-31402-211 | |
| DRAFT WHERE APPLICABLE MUST REMAIN WITHIN DIMENSIONS | | ANGULAR ± 3 ° | SEE CHART | SHEET NO. 1 OF 5 | | |
| THIS DRAWING CONTAINS INFORMATION THAT IS PROPRIETARY TO MOLEX INCORPORATED AND SHOULD NOT BE USED WITHOUT WRITTEN PERMISSION | | | | | | |



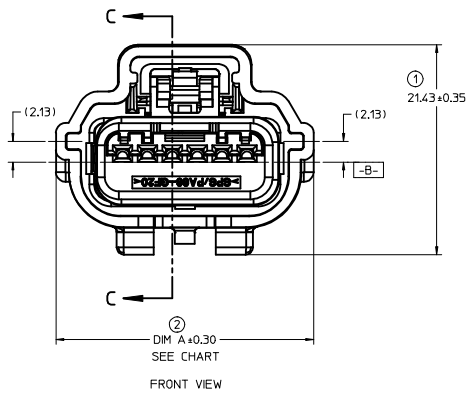
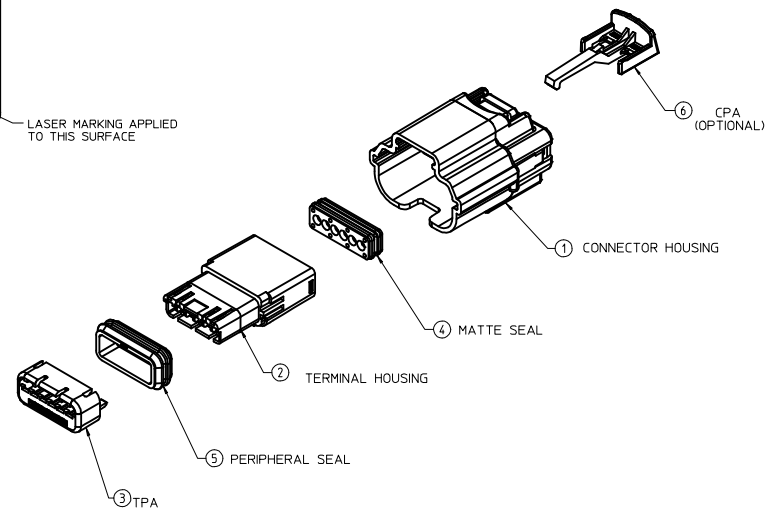
SECTION C-C
TPA SHOWN IN AS-SHIPED
PRE-LOCKED POSITION
SEE NOTE 3



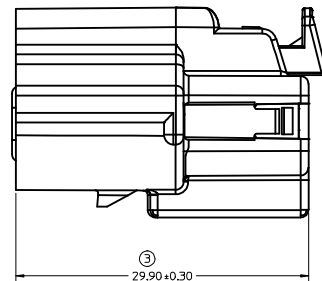
SECTION C-C
TPA SHOWN IN FINAL
LOCKED POSITION



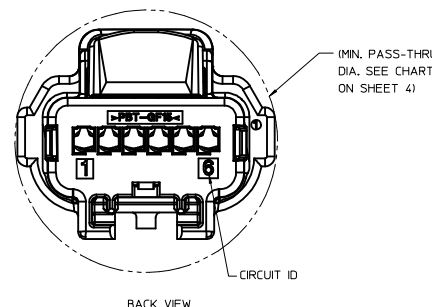
BOTTOM VIEW



POLARIZATION A



RIGHT SIDE VIEW



BACK VIEW

CONNECTOR ASSEMBLY WITH CLIPSLOT

| | | | | | | |
|---|--|---|--|------------------------------|---------------------|------------------------|
| ADD NEW P/N EC NO: UAU2015-0819 DRAWN: JENGOZ 2014/11/20 CHKD: APPR: VKOSHY 2014/11/21 REV K1 | QUALITY SYMBOLS | GENERAL TOLERANCES (UNLESS SPECIFIED) | DIMENSION STYLE | SCALE | DESIGN UNITS | THIRD ANGLE PROJECTION |
| | $\nabla=0$ $\nabla=0$ $\nabla=0$ | mm INCH 4 PLACES ± --- ± --- 3 PLACES ± --- ± --- 2 PLACES ± 0.13 ± --- 1 PLACE ± 0.3 ± --- 0 PLACE ± ± | MM ONLY | 4:1 | METRIC | |
| | DRAWN BY: RCARLSON CHECKED BY: RCARLSON APPROVED BY: VKOSHY DATE: 2003/09/25 DATE: 2004/09/28 DATE: 2010/11/22 | MATERIAL NO. SEE CHART | TITLE 0.64 USCAR CONNECTOR SEALED SINGLE ROW ASSEMBLY | DOCUMENT NO. SD-31402-211 | SHEET NO. 2 OF 5 | |
| | THIS DRAWING CONTAINS INFORMATION THAT IS PROPRIETARY TO MOLEX INCORPORATED AND SHOULD NOT BE USED WITHOUT WRITTEN PERMISSION | | | | | |

| PART NUMBER WITHOUT CPA | PART NUMBER WITH CPA | CLIPSLOT OPTION | ROW/ CIRCUITS | KEY | MATTE SEAL COLOR | PERIMETER SEAL COLOR | CONNECTOR COLOR | WIDTH DIM (A) | MIN. PASS THRU DIA. | FEMALE TERMINAL SUPPLIER | USCAR FOOTPRINT DRAWING NO. | STATUS | | | | | | |
|-------------------------|----------------------|-----------------|---------------|-----|---------------------------|----------------------|-----------------|---------------|---------------------|--------------------------|-----------------------------|---------------------------|---------|-------|---------|------------------------|-----------------|---------------------------|
| 31402-2100 | 31402-2110 | NO | 1 X 2 | A | ROYAL BLUE | BLUE | BLACK | 16.88 | (20.80) | TYCO OR MOLEX GET 0.64 | 064-S-002-1-202 | TOOLED | | | | | | |
| 31402-2200 | 31402-2210 | | | B | | | GRAY | | | | | TOOLED | | | | | | |
| 31402-2300 | 31402-2310 | | | C | | | BROWN | | | | | TOOLED, COLOR UNAVAILABLE | | | | | | |
| 31402-2400 | 31402-2410 | | | D | | | GREEN | | | | | TOOLED, COLOR UNAVAILABLE | | | | | | |
| 31402-2500 | 31402-2510 | | | B | | | BLACK | | | | | TOOLED | | | | | | |
| 31402-2600 | 31402-2610 | | | C | | | BLACK | | | | | TOOLED | | | | | | |
| 31402-2700 | 31402-2710 | | | D | | | BLACK | | | | | TOOLED | | | | | | |
| 31403-2100 | 31403-2110 | | | A | | | BLACK | | | | | TOOLED | | | | | | |
| 31403-2200 | 31403-2210 | | | B | | | GRAY | | | | | TOOLED | | | | | | |
| 31403-2300 | 31403-2310 | | | C | | | BROWN | | | | | TOOLED, COLOR UNAVAILABLE | | | | | | |
| 31403-2400 | 31403-2410 | | | D | | | GREEN | | | | | TOOLED, COLOR UNAVAILABLE | | | | | | |
| 31403-2500 | 31403-2510 | | | B | | | BLACK | | | | | TOOLED BUT NOT VALIDATED | | | | | | |
| 31403-2600 | 31403-2610 | | | C | | | BLACK | | | | | TOOLED | | | | | | |
| 31403-2700 | 31403-2710 | | | D | | | BLACK | | | | | TOOLED | | | | | | |
| 31403-2800 | 31403-2810 | | | C | | | NATURAL | | | | | OK TO TOOL | | | | | | |
| 31403-2900 | 31403-2910 | | | D | | | GRAY | | | TOOLED | | | | | | | | |
| 31404-2100 | 31404-2110 | | | A | | | BLACK | | | NOT TOOLED | | | | | | | | |
| 31404-2200 | 31404-2210 | | | B | | | GRAY | | | NOT TOOLED | | | | | | | | |
| 31404-2300 | 31404-2310 | | | C | | | BROWN | | | NOT TOOLED | | | | | | | | |
| 31404-2400 | 31404-2410 | | | D | | | GREEN | | | NOT TOOLED | | | | | | | | |
| 31404-2500 | 31404-2510 | | | B | | | BLACK | | | NOT TOOLED | | | | | | | | |
| 31404-2600 | 31404-2610 | | | C | | | BLACK | | | NOT TOOLED | | | | | | | | |
| 31404-2700 | 31404-2710 | | | D | | | BLACK | | | NOT TOOLED | | | | | | | | |
| 31402-3100 | 31402-3110 | | | NO | | | 1 X 3 | | | A | LIGHT BLUE | RUST RED | BLACK | 18.70 | (22.00) | TYCO OR MOLEX GET 0.64 | 064-S-003-1-201 | TOOLED |
| 31402-3200 | 31402-3210 | | | | | | | | | B | | | GRAY | | | | | TOOLED |
| 31402-3300 | 31402-3310 | | | | | | | | | C | | | BROWN | | | | | TOOLED, COLOR UNAVAILABLE |
| 31402-3400 | 31402-3410 | | | | | | | | | D | | | GREEN | | | | | TOOLED, COLOR UNAVAILABLE |
| 31402-3500 | 31402-3510 | | | | | | | | | B | | | BLACK | | | | | TOOLED |
| 31402-3600 | 31402-3610 | | | | | | | | | C | | | BLACK | | | | | TOOLED |
| 31402-3700 | 31402-3710 | | | | | | | | | D | | | BLACK | | | | | TOOLED |
| 31403-3100 | 31403-3110 | A | BLACK | | TOOLED | | | | | | | | | | | | | |
| 31403-3200 | 31403-3210 | B | GRAY | | TOOLED | | | | | | | | | | | | | |
| 31403-3300 | 31403-3310 | C | BROWN | | TOOLED, COLOR UNAVAILABLE | | | | | | | | | | | | | |
| 31403-3400 | 31403-3410 | D | GREEN | | TOOLED, COLOR UNAVAILABLE | | | | | | | | | | | | | |
| 31403-3500 | 31403-3510 | B | BLACK | | TOOLED | | | | | | | | | | | | | |
| 31403-3600 | 31403-3610 | C | BLACK | | TOOLED | | | | | | | | | | | | | |
| 31403-3700 | 31403-3710 | D | BLACK | | TOOLED | | | | | | | | | | | | | |
| 31404-3100 | 31404-3110 | A | BLACK | | TOOLED | | | | | | | | | | | | | |
| 31404-3200 | 31404-3210 | B | GRAY | | TOOLED | | | | | | | | | | | | | |
| 31404-3300 | 31404-3310 | C | BROWN | | TOOLED, COLOR UNAVAILABLE | | | | | | | | | | | | | |
| 31404-3400 | 31404-3410 | D | GREEN | | TOOLED, COLOR UNAVAILABLE | | | | | | | | | | | | | |
| 31404-3500 | 31404-3510 | B | BLACK | | TOOLED | | | | | | | | | | | | | |
| 31404-3600 | 31404-3610 | C | BLACK | | TOOLED | | | | | | | | | | | | | |
| 31404-3700 | 31404-3710 | D | BLACK | | TOOLED | | | | | | | | | | | | | |
| 31402-4100 | 31402-4110 | NO | 1 X 4 | | A | TBD | | TBD | BLACK | 21.25 | | | (22.34) | | | TYCO OR MOLEX GET 0.64 | 064-S-004-1-202 | NOT TOOLED |
| 31402-4200 | 31402-4210 | | | | B | | | | GRAY | | | | | | | | | NOT TOOLED |
| 31402-4300 | 31402-4310 | | | | C | | | | BROWN | | | | | | | | | NOT TOOLED |
| 31402-4400 | 31402-4410 | | | | D | | | | GREEN | | | | | | | | | NOT TOOLED |
| 31402-4500 | 31402-4510 | | | | B | | | | BLACK | | | | | | | | | NOT TOOLED |
| 31402-4600 | 31402-4610 | | | | C | | | | BLACK | | | | | | | | | NOT TOOLED |
| 31402-4700 | 31402-4710 | | | | D | | | | BLACK | | | | | | | | | NOT TOOLED |
| 31403-4100 | 31403-4110 | | | | A | | | | BLACK | | | | | | | | | NOT TOOLED |
| 31403-4200 | 31403-4210 | | | | B | | | | GRAY | | | | | | | | | NOT TOOLED |
| 31403-4300 | 31403-4310 | | | C | BROWN | | NOT TOOLED | | | | | | | | | | | |
| 31403-4400 | 31403-4410 | | | D | GREEN | | NOT TOOLED | | | | | | | | | | | |
| 31403-4500 | 31403-4510 | | | B | BLACK | | NOT TOOLED | | | | | | | | | | | |
| 31403-4600 | 31403-4610 | | | C | BLACK | | NOT TOOLED | | | | | | | | | | | |
| 31403-4700 | 31403-4710 | | | D | BLACK | | NOT TOOLED | | | | | | | | | | | |
| 31404-4100 | 31404-4110 | | | A | BLACK | | NOT TOOLED | | | | | | | | | | | |
| 31404-4200 | 31404-4210 | | | B | GRAY | | NOT TOOLED | | | | | | | | | | | |
| 31404-4300 | 31404-4310 | | | C | BROWN | | NOT TOOLED | | | | | | | | | | | |
| 31404-4400 | 31404-4410 | | | D | GREEN | | NOT TOOLED | | | | | | | | | | | |
| 31404-4500 | 31404-4510 | | | B | BLACK | | NOT TOOLED | | | | | | | | | | | |
| 31404-4600 | 31404-4610 | | | C | BLACK | | NOT TOOLED | | | | | | | | | | | |
| 31404-4700 | 31404-4710 | | | D | BLACK | | NOT TOOLED | | | | | | | | | | | |

| | | | | | | |
|--|-----------------|--|-----------------|-------|--------------|---|
| ADD NEW P/N EC NO. UAU2015-0619 DRAWN: JDENG02 2014/11/20 CHKD: APPR: VKOSHY REV DESCRIPTION 2014/11/21 | QUALITY SYMBOLS | GENERAL TOLERANCES (UNLESS SPECIFIED) | DIMENSION STYLE | SCALE | DESIGN UNITS | THIRD ANGLE PROJECTION |
| | ▽=0 | 4 PLACES ± 0.13 | MM ONLY | 4:1 | METRIC | 0.64 USCAR CONNECTOR SEALED SINGLE ROW ASSEMBLY molex MATERIAL NO. SD-31402-211 DOCUMENT NO. SD-31402-211 SHEET NO. 3 OF 5 |
| | ▽=0 | 3 PLACES ± 0.13 | mm | | | |
| | ▽=0 | 2 PLACES ± 0.3 | INCH | | | |
| ▽=0 | 1 PLACE ± 0.3 | | | | | |
| | | 0 PLACE ± | | | | |
| | | ANGULAR ± 3° | | | | |
| | | DRAFT WHERE APPLICABLE MUST REMAIN WITHIN DIMENSIONS | | | | |
| | | | SEE CHART | | | |

| PART NUMBER WITHOUT CPA | PART NUMBER WITH CPA | CLIPSLOT OPTION | ROW/ CIRCUITS | KEY* | MATTE SEAL COLOR | PERIMETER SEAL COLOR | CONNECTOR COLOR | WIDTH DIM (A) | MIN. PASS THRU DIA. | FEMALE TERMINAL SUPPLIER | USCAR FOOTPRINT DRAWING NO. | STATUS |
|-------------------------|----------------------|-----------------|---------------|------------|------------------|----------------------|-----------------|---------------|---------------------|---------------------------|-----------------------------|---------------------------|
| 31402-5100 | 31402-5110 | NO | 1 X 5 | A | TBD | TBD | BLACK | 23.80 | (24.28) | TYCO OR MOLEX GET 0.64 | 064-S-005-1-202 | NOT TOOLED |
| 31402-5200 | 31402-5210 | | | B | | | GRAY | | | | | NOT TOOLED |
| 31402-5300 | 31402-5310 | | | C | | | BROWN | | | | | NOT TOOLED |
| 31402-5400 | 31402-5410 | | | D | | | GREEN | | | | | NOT TOOLED |
| 31402-5500 | 31402-5510 | | | B | | | BLACK | | | | | NOT TOOLED |
| 31402-5600 | 31402-5610 | | | C | | | BLACK | | | | | NOT TOOLED |
| 31402-5700 | 31402-5710 | | | D | | | BLACK | | | | | NOT TOOLED |
| 31403-5100 | 31403-5110 | | | A | | | BLACK | | | | | NOT TOOLED |
| 31403-5200 | 31403-5210 | | | B | | | GRAY | | | | | NOT TOOLED |
| 31403-5300 | 31403-5310 | | | C | | | BROWN | | | | | NOT TOOLED |
| 31403-5400 | 31403-5410 | | | D | | | GREEN | | | NOT TOOLED | | |
| 31403-5500 | 31403-5510 | | | B | | | BLACK | | | NOT TOOLED | | |
| 31403-5600 | 31403-5610 | | | C | | | BLACK | | | NOT TOOLED | | |
| 31403-5700 | 31403-5710 | | | D | | | BLACK | | | NOT TOOLED | | |
| 31404-5100 | 31404-5110 | | | A | | | BLACK | | | NOT TOOLED | | |
| 31404-5200 | 31404-5210 | | | B | | | GRAY | | | NOT TOOLED | | |
| 31404-5300 | 31404-5310 | | | C | | | BROWN | | | NOT TOOLED | | |
| 31404-5400 | 31404-5410 | | | D | | | GREEN | | | NOT TOOLED | | |
| 31404-5500 | 31404-5510 | | | B | | | BLACK | | | NOT TOOLED | | |
| 31404-5600 | 31404-5610 | | | C | | | BLACK | | | NOT TOOLED | | |
| 31404-5700 | 31404-5710 | D | BLACK | NOT TOOLED | | | | | | | | |
| 31402-6100 | 31402-6110 | NO | 1 X 6 | A | ROYAL BLUE | LIGHT BLUE | BLACK | 26.33 | (26.82) | TYCO OR MOLEX GET 0.64 | 064-S-006-1-202 | TOOLED |
| 31402-6200 | 31402-6210 | | | B | | | GRAY | | | | | TOOLED, COLOR UNAVAILABLE |
| 31402-6300 | 31402-6310 | | | C | | | BROWN | | | | | TOOLED, COLOR UNAVAILABLE |
| 31402-6400 | 31402-6410 | | | D | | | GREEN | | | | | TOOLED |
| 31402-6500 | 31402-6510 | | | B | | | BLACK | | | | | TOOLED |
| 31402-6600 | 31402-6610 | | | C | | | BLACK | | | | | TOOLED |
| 31402-6700 | 31402-6710 | | | D | | | BLACK | | | | | TOOLED |
| 31403-6100 | 31403-6110 | | | A | | | BLACK | | | | | TOOLED |
| 31403-6200 | 31403-6210 | | | B | | | GRAY | | | | | TOOLED |
| 31403-6300 | 31403-6310 | | | C | | | BROWN | | | | | TOOLED, COLOR UNAVAILABLE |
| 31403-6400 | 31403-6410 | | | D | | | GREEN | | | TOOLED, COLOR UNAVAILABLE | | |
| 31403-6500 | 31403-6510 | | | B | | | BLACK | | | TOOLED | | |
| 31403-6600 | 31403-6610 | | | C | | | BLACK | | | TOOLED | | |
| 31403-6700 | 31403-6710 | | | D | | | BLACK | | | TOOLED | | |
| 31404-6100 | 31404-6110 | | | A | | | BLACK | | | TOOLED | | |
| 31404-6200 | 31404-6210 | | | B | | | GRAY | | | TOOLED | | |
| 31404-6300 | 31404-6310 | | | C | | | BROWN | | | TOOLED, COLOR UNAVAILABLE | | |
| 31404-6400 | 31404-6410 | | | D | | | GREEN | | | TOOLED, COLOR UNAVAILABLE | | |
| 31404-6500 | 31404-6510 | | | B | | | BLACK | | | TOOLED | | |
| 31404-6600 | 31404-6610 | | | C | | | BLACK | | | TOOLED | | |
| 31404-6700 | 31404-6710 | D | BLACK | TOOLED | | | | | | | | |
| 31404-6800 | 31404-6810 | C | NATURAL | OK TO TOOL | | | | | | | | |

| | | | | | | |
|---|--|---|--|---------------------|--------------|---|
| ADD NEW P/N EC NO. UAU2015-0819 DRAWN: DENG02 2014/11/20 CHKD: APPR: VKOSHY 2014/11/21 REV DESCRIPTION | QUALITY SYMBOLS | GENERAL TOLERANCES (UNLESS SPECIFIED) | DIMENSION STYLE | SCALE | DESIGN UNITS | THIRD ANGLE PROJECTION |
| | ∇=0 ∇=0 ∇=0 | 4 PLACES ± mm ± INCH 3 PLACES ± --- ± --- 2 PLACES ± 0.13 ± --- 1 PLACE ± 0.3 ± --- 0 PLACE ± ± | MM ONLY | 4:1 | METRIC | DRAWN BY DATE RCARLSON 2003/09/25 CHECKED BY DATE RCARLSON 2004/09/28 APPROVED BY DATE VKOSHY 2010/11/22 |
| | ANGULAR ± 3 ° DRAFT WHERE APPLICABLE MUST REMAIN WITHIN DIMENSIONS | MATERIAL NO. SEE CHART | TITLE 0.64 USCAR CONNECTOR SEALED SINGLE ROW ASSEMBLY molex DOCUMENT NO. SD-31402-211 | SHEET NO. 4 OF 5 | | |

| PART NUMBER WITHOUT CPA | PART NUMBER WITH CPA | CLIPSLOT OPTION | ROW/ CIRCUITS | KEY | MATE SEAL COLOR | PERMETER SEAL COLOR | CONNECTOR COLOR | WIDTH DIM (A) | MIN. PASS THRU DIA. | FEMALE TERMINAL SUPPLIER | USCAR FOOTPRINT DRAWING NO. | STATUS |
|-------------------------|----------------------|-----------------|---------------|-----|-----------------|---------------------|-----------------|---------------|---------------------|--------------------------|-----------------------------|------------|
| 31402-8100 | 31402-8110 | NO | 1 X 8 | A | TBD | TBD | BLACK | 31.25 | (31.90) | TYCO OR MOLEX GET 0.64 | 064-S-008-1-Z02 | NOT TOOLED |
| 31402-8200 | 31402-8210 | | | B | | | GRAY | | | | | NOT TOOLED |
| 31402-8300 | 31402-8310 | | | C | | | BROWN | | | | | NOT TOOLED |
| 31402-8400 | 31402-8410 | | | D | | | GREEN | | | | | NOT TOOLED |
| 31402-8500 | 31402-8510 | | | B | | | BLACK | | | | | NOT TOOLED |
| 31402-8600 | 31402-8610 | | | C | | | BLACK | | | | | NOT TOOLED |
| 31402-8700 | 31402-8710 | | | D | | | BLACK | | | | | NOT TOOLED |
| 31403-8100 | 31403-8110 | | | A | | | BLACK | | | | | NOT TOOLED |
| 31403-8200 | 31403-8210 | | | B | | | GRAY | | | | | NOT TOOLED |
| 31403-8300 | 31403-8310 | | | C | | | BROWN | | | | | NOT TOOLED |
| 31403-8400 | 31403-8410 | | | D | | | GREEN | | | | | NOT TOOLED |
| 31403-8500 | 31403-8510 | | | B | | | BLACK | | | | | NOT TOOLED |
| 31403-8600 | 31403-8610 | | | C | | | BLACK | | | NOT TOOLED | | |
| 31403-8700 | 31403-8710 | | | D | | | BLACK | | | NOT TOOLED | | |
| 31404-8100 | 31404-8110 | | | A | | | BLACK | | | NOT TOOLED | | |
| 31404-8200 | 31404-8210 | | | B | | | GRAY | | | NOT TOOLED | | |
| 31404-8300 | 31404-8310 | | | C | | | BROWN | | | NOT TOOLED | | |
| 31404-8400 | 31404-8410 | | | D | | | GREEN | | | NOT TOOLED | | |
| 31404-8500 | 31404-8510 | | | B | | | BLACK | | | NOT TOOLED | | |
| 31404-8600 | 31404-8610 | | | C | | | BLACK | | | NOT TOOLED | | |
| 31404-8700 | 31404-8710 | | | D | | | BLACK | | | NOT TOOLED | | |

ADDITIONAL CAVITY PLUG CONFIGURATIONS:

| ROW/ CIRCUITS | FEMALE TERMINAL | MOLEX P/N WITH CPA | MOLEX P/N WITHOUT CPA | KEY OPTION | CLIPSLOT OPTION | COLOR | CIRCUIT NUMBER: '0' INDICATED PLUG LOCATION | | | | | | TOTAL CIRCUITS PLUGGED | STATUS |
|---------------|-----------------|--------------------|-----------------------|------------|-----------------|-------|---|---|---|---|---|---|------------------------|----------------|
| | | | | | | | 1 | 2 | 3 | 4 | 5 | 6 | | |
| 1X6 | TYCO/MOLEX GET | 31402-6110 | 31402-6100 | A | NO | BLACK | | | | | | | 0 | TOOLED |
| | | 31402-6111 | 31402-6101 | A | NO | BLACK | 0 | 0 | 0 | 0 | 0 | 0 | 6 | TOOLED |
| | | 31402-6112 | 31402-6102 | A | NO | BLACK | 0 | 0 | 0 | | | | 2 | TOOLED |
| | | 31402-6113 | 31402-6103 | A | NO | BLACK | | | 0 | | | | 1 | TOOLED |
| | | 31402-6114 | 31402-6104 | A | NO | BLACK | 0 | 0 | 0 | 0 | | | 4 | TOOLED |
| | | 31402-6115 | 31402-6105 | A | NO | BLACK | | | 0 | | 0 | 0 | 3 | TOOLED |
| | 31402-6150 | 31402-6140 | A | YES | BLACK | | | | | | | 0 | TOOLED | |
| | 31403-6110 | 31403-6100 | A | NO | BLACK | | | | | | | 0 | TOOLED | |
| | 31403-6111 | 31403-6101 | A | NO | BLACK | 0 | 0 | 0 | 0 | 0 | 0 | 6 | TOOLED | |
| | 31403-6112 | 31403-6102 | A | NO | BLACK | | | 0 | | | | 1 | TOOLED | |
| | 31403-6113 | 31403-6103 | A | NO | BLACK | 0 | 0 | 0 | | 0 | | 4 | TOOLED (J9) | |
| | 31404-6110 | 31404-6100 | A | NO | BLACK | | | | | | | 0 | TOOLED | |
| | 31404-6111 | 31404-6101 | A | NO | BLACK | 0 | 0 | 0 | 0 | 0 | 0 | 6 | TOOLED | |
| | 31404-6112 | 31404-6102 | A | NO | BLACK | | | 0 | | | | 2 | TOOLED | |
| | 31404-6113 | 31404-6103 | A | NO | BLACK | 0 | | | | | 0 | 2 | TOOLED | |
| | 31404-6116 | 31404-6106 | A | NO | BLACK | | | | | | 0 | 1 | TOOLED | |
| | 31404-6117 | 31404-6107 | A | NO | BLACK | 0 | | 0 | | | 0 | 3 | TOOLED | |
| | 31404-6118 | 31404-6108 | A | NO | BLACK | 0 | | | | | | 1 | TOOLED | |
| | 31404-6119 | 31404-6109 | A | NO | BLACK | | | 0 | | 0 | 0 | 3 | TOOLED | |
| | 31404-6132 | 31404-6122 | A | NO | BLACK | | | 0 | | | | 1 | TOOLED | |
| | 31404-6213 | 31404-6203 | B | NO | GRAY | 0 | | | | | 0 | 2 | TOOLED (J10) | |
| | 31404-6214 | 31404-6204 | B | NO | GRAY | | | | | | 0 | 1 | OK TO TOOL (K) | |
| | 31404-6812 | 31404-6802 | C | NO | NATURAL | | | | 0 | 0 | 0 | 3 | OK TO TOOL | |
| | 1X3 | TYCO/MOLEX GET | 31402-3113 | 31402-3103 | A | NO | BLACK | | | 0 | | | 1 | OK TO TOOL (K) |

| | | | | | | | | | | | |
|---|---|---|-----------------------------------|---------------------|-------------------------------|----------------------------|---|---|----------------------------------|-------------------------------------|----------------------------|
| ADD NEW P/N EC NO. UAU2015-0819 DRAWN: DENG02 2014/11/20 CHKD: [initials] APPR: VKOSHY 2014/11/21 REV DESCRIPTION | QUALITY SYMBOLS ∇=0 ∇=0 ∇=0 | GENERAL TOLERANCES (UNLESS SPECIFIED) 4 PLACES ± mm INCH 3 PLACES ± 0.13 ± --- 2 PLACES ± 0.3 ± --- 1 PLACE ± 0.3 ± --- 0 PLACE ± ± ANGULAR ± 3 ° DRAFT WHERE APPLICABLE MUST REMAIN WITHIN DIMENSIONS | DIMENSION STYLE MM ONLY | SCALE 4:1 | DESIGN UNITS METRIC | THIRD ANGLE PROJECTION | DRAWN BY DATE R CARLSON 2003/09/25 CHECKED BY DATE R CARLSON 2004/09/28 APPROVED BY DATE VKOSHY 2010/11/22 | TITLE 0.64 USCAR CONNECTOR SEALED SINGLE ROW ASSEMBLY | MATERIAL NO. SEE CHART | DOCUMENT NO. SD-31402-211 | SHEET NO. 5 OF 5 |
| | THIS DRAWING CONTAINS INFORMATION THAT IS PROPRIETARY TO MOLEX INCORPORATED AND SHOULD NOT BE USED WITHOUT WRITTEN PERMISSION | | | | | | | | | | |