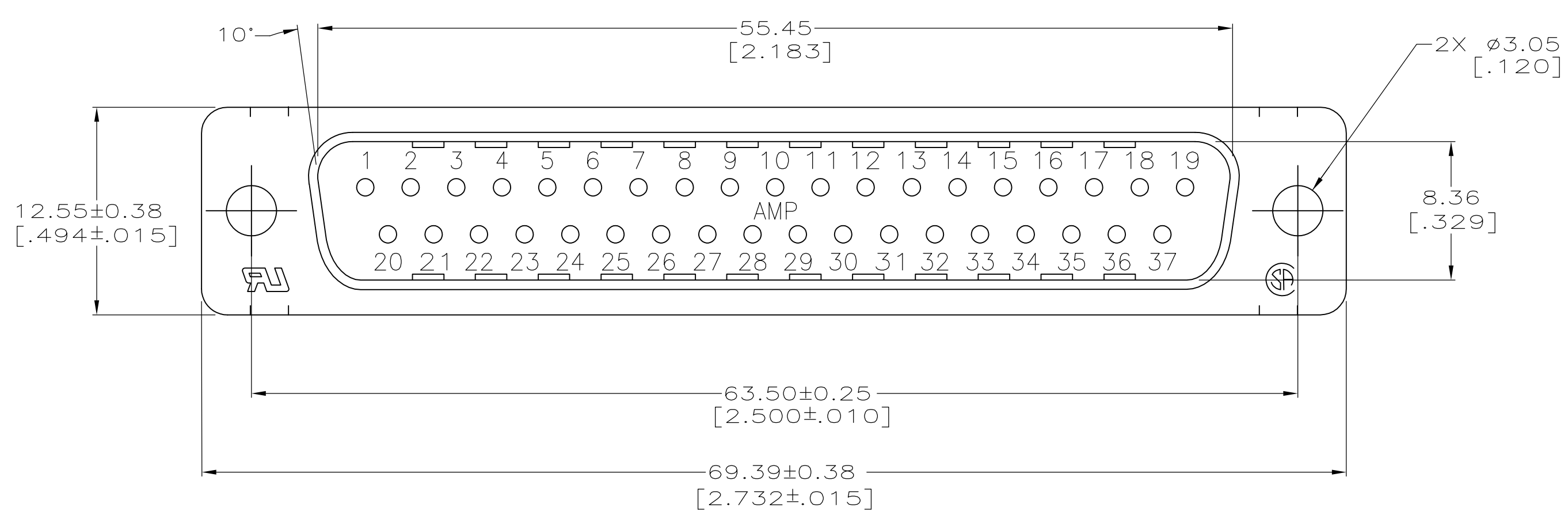
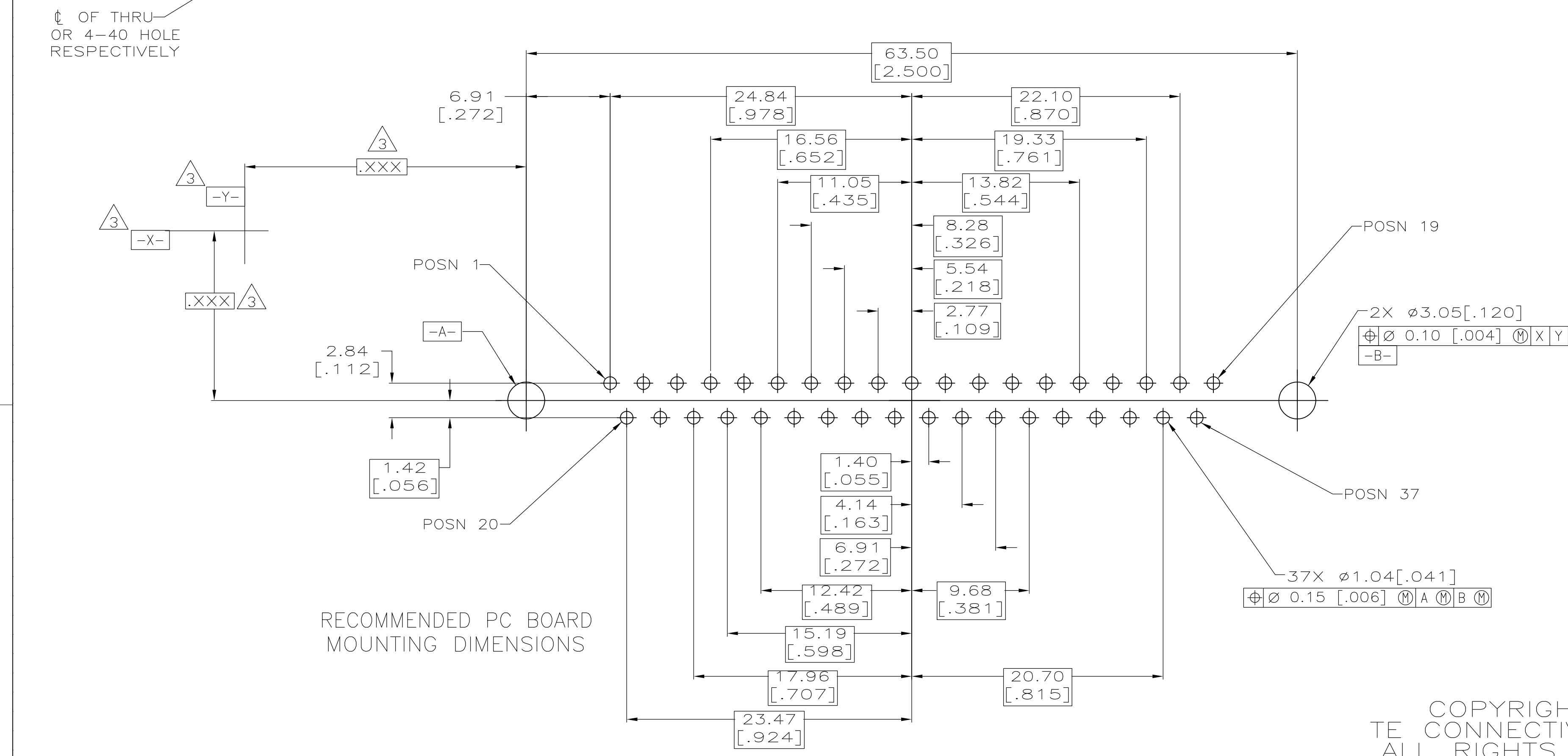
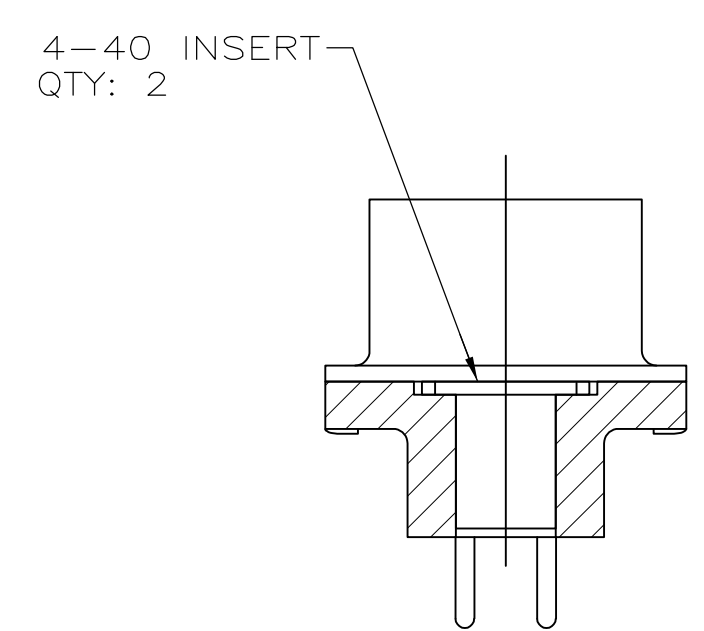
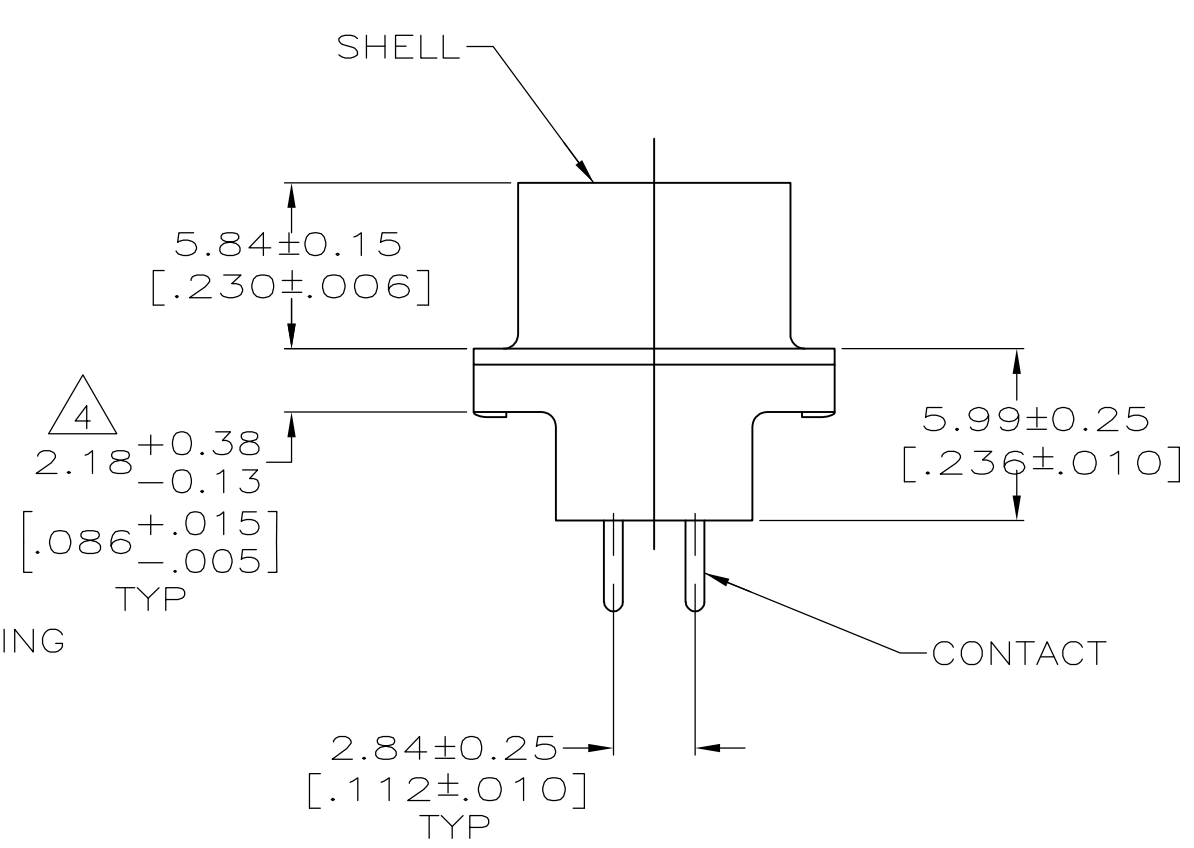
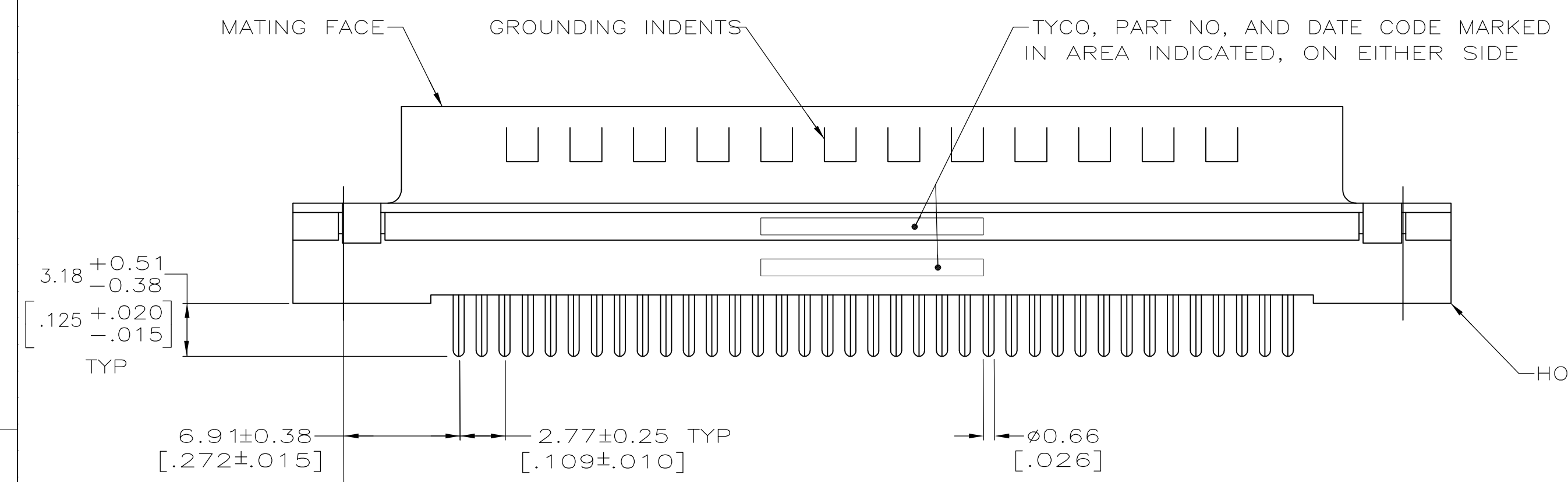


LOC	DIST	REVISIONS			
P	LR	DESCRIPTION	DATE	DWN	APVD
B1		REVISED PER ECO-11-004835	11MAR11	RK	HMR



- 1 HOUSING: BLACK POLYESTER, UL 94V-0 RATED  
CONTACTS: BRASS  
SHELL: CARBON STEEL  
INSERTS: BRASS
- 2 SHELLS: 5.08µm[.000200] MIN TIN OVER 2.54µm[.000100] MIN COPPER.  
CONTACTS: GOLD PLATED FOR A LENGTH OF 3.81 [.150] FROM MATING END, 0.76µm[.000030] MIN GOLD IN MATED AREA, 2.54µm[.000100] MIN TIN ON OPPOSITE END, ALL OVER 1.27µm[.000050] MIN NICKEL.  
-OR-  
GOLD FLASH OVER PALLADIUM NICKEL PLATED FOR A LENGTH OF 3.81 [.150] FROM MATING END, 0.76µm[.000030] MIN PALLADIUM NICKEL IN MATED AREA, 2.54µm[.000100] MIN TIN ON OPPOSITE END, ALL OVER 1.27µm[.000050] MIN NICKEL.  
INSERTS: UNPLATED
- 3 DATUMS AND BASIC DIMENSIONS ESTABLISHED BY CUSTOMERS
- 4 2.79 [.110] MAX IN SHELL TAB CLINCH AREAS



DETAIL D

COPYRIGHT 2005  
TE CONNECTIVITY CORP  
ALL RIGHTS RESERVED

4-40 INSERT (DETAIL D)	5747375-8
-	5747375-2
MOUNTING HARDWARE	PART NO

THIS DRAWING IS A CONTROLLED DOCUMENT.		DWN B. LATTUCA 23SEPT05		TE Connectivity	
DIMENSIONS: mm[INCHES]		CHK S. BOLASH 23SEPT05		NAME	
0 PLC ± -		APVD M. WALMSLEY 23SEPT05		108-40025	
1 PLC ± -		PRODUCT SPEC		PLUG ASSEMBLY, SIZE 4, 37 POSITION, VERTICAL, FRONT METAL SHELL, AMPLIMITE HD-20	
2 PLC ± 0.13 [005]		APPLICATION SPEC		114-40023	
3 PLC ± -		MATERIAL		SIZE CAGE CODE DRAWING NO	
4 PLC ± -		FINISH		A1 00779 C=5747375	
ANGLES ± -		CUSTOMER DRAWING		RESTRICTED TO	
SCALE 4:1		SHEET 1 OF 1		REV B1	