

TABLE 1			
AHSP P/N	LENGTH "A"	ACD P/N	DESCRIPTION
NDVVYG-C102	2000±40MM	SF-NDVVYG0002-002M	OSFP 28AWG PASSIVE, 2M

REVISIONS						
ZONE	REV.	ECN	DESCRIPTION	BY	DATE	APPROVED
ALL	A	MKHN-18121403	NEW RELEASE	HCL-PB	12/26/2018	M.HUSSAIN
	B	RGAO-20121603	ADDED ACD P/N COLUMN TO TABLE 1. ADDED CE STAMP TO SHEET 1. ADDED REFERENCE DIMENSION TO BENDING RADIUS.	N.ZENG	12/17/2020	Y.CHEN
	C	RGAO-21020301	ADDED DESCRIPTION COLUMN TO TABLE 1.	N.ZENG	2/4/2021	Y.CHEN

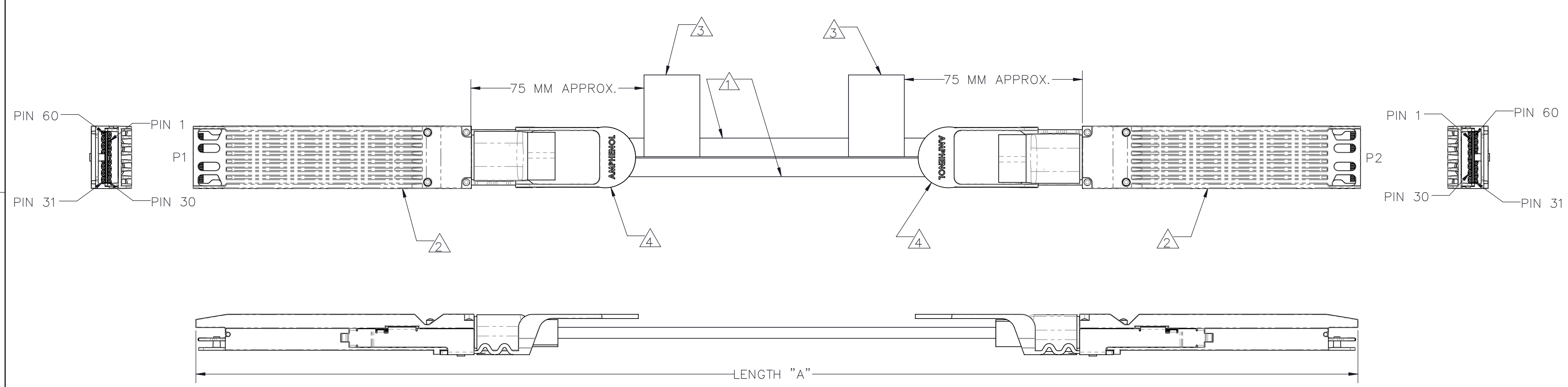
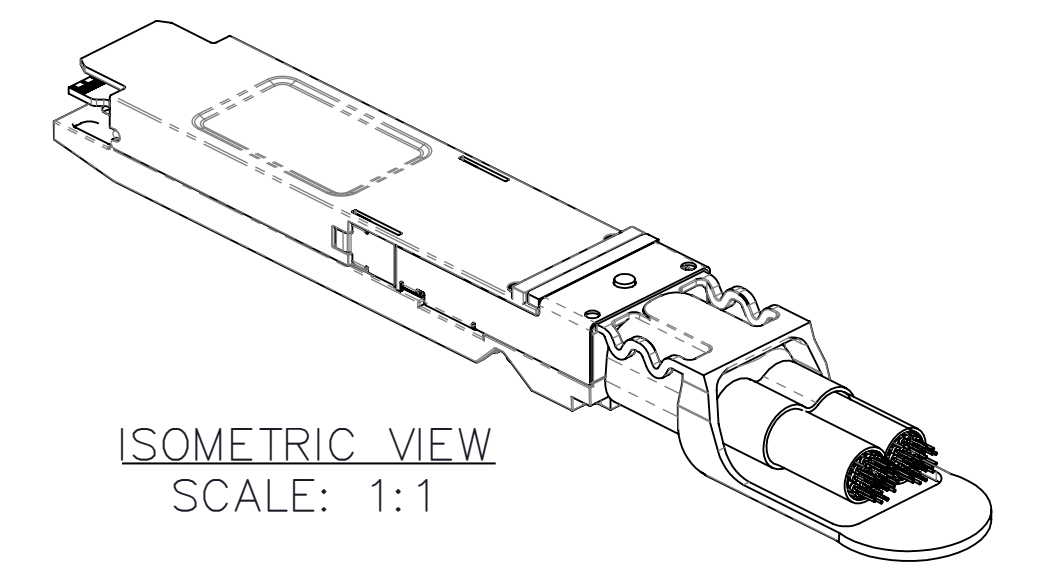
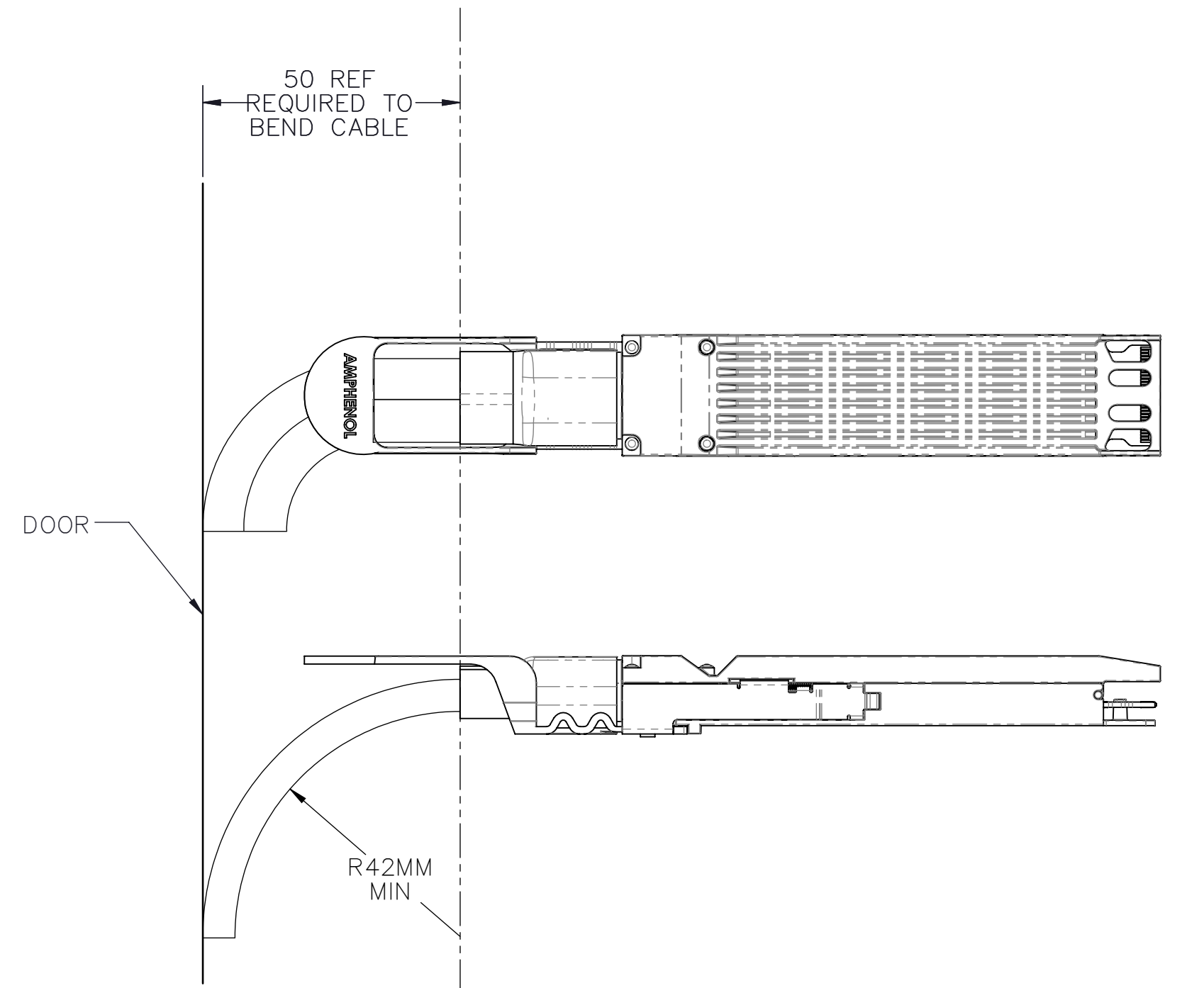
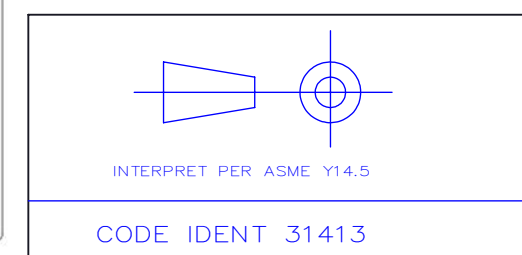
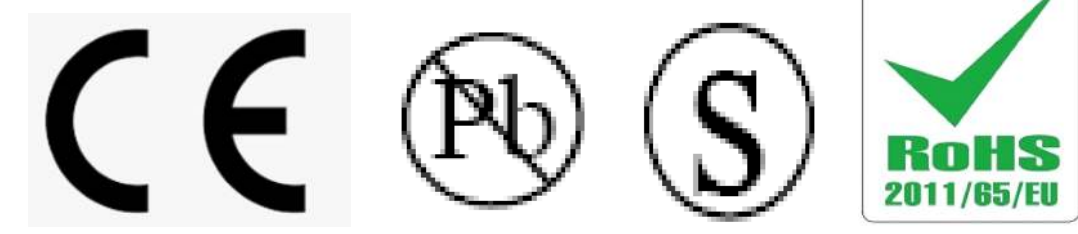


TABLE 2	
ITEM No.	DESCRIPTION
1	28 AWG, 8-PR, PVC JKT, UL 75°C, CM OR AWM STYLE 20276 80°C
2	PLUG, OSFP+, REFERENCE "OSFP MSA"
3	LABEL, FLAGGED - AHSP PN, SN, LENGTH
4	PULL TAB, BLUE 2718
5	EPROM - REFERENCE SFF-8636, PAGE A0 ONLY

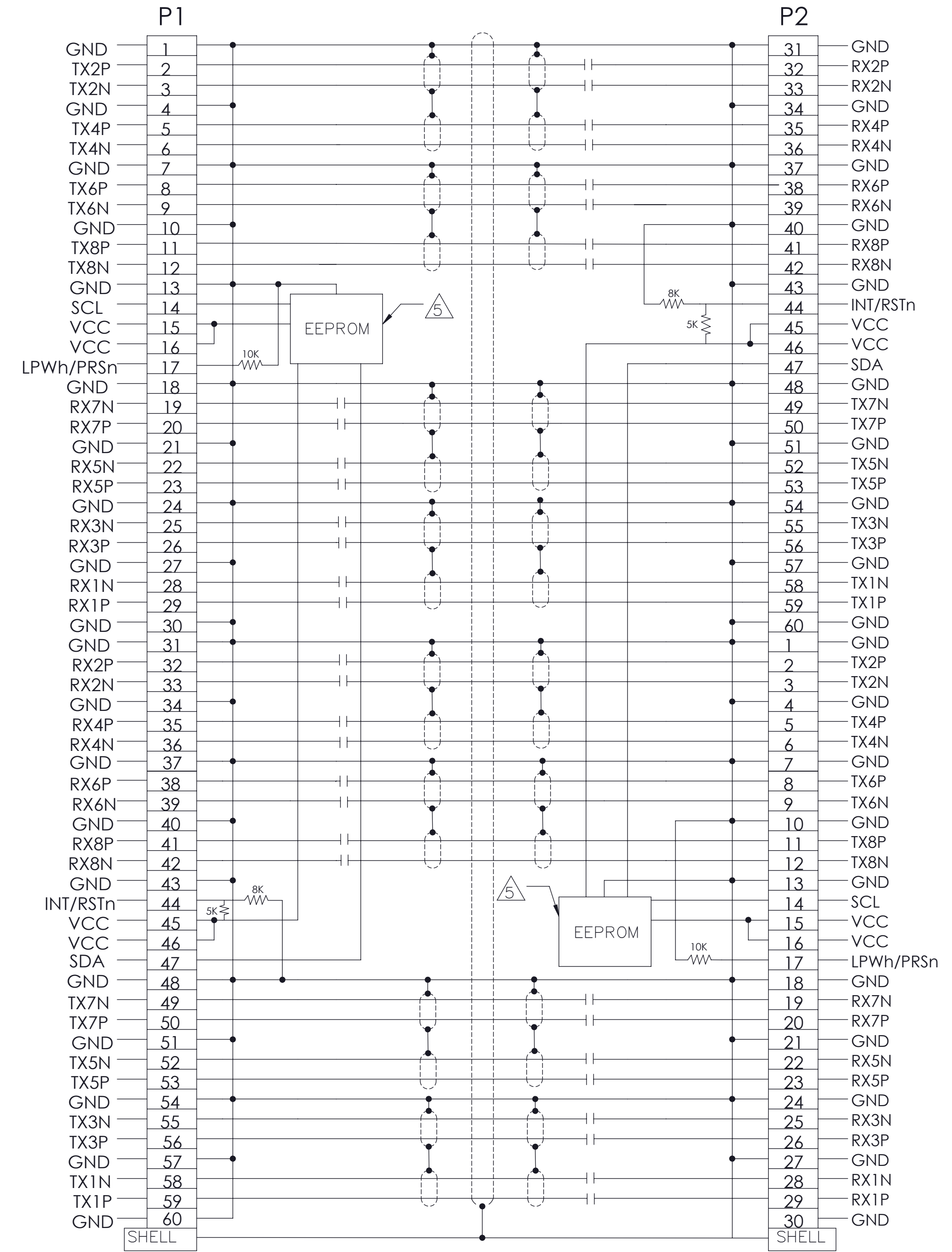


- NOTES:
- THIS DRAWING IS RESERVED FOR AMPHENOL CABLES ON DEMAND.
  - ASSEMBLIES SHALL BE COMPLIANT TO OSFF MSA SPECIFICATION.
  - CABLE ASSEMBLIES, COMPONENTS AND SUB-COMPONENTS SHALL BE COMPLIANT TO EU DIRECTIVE 2011/65/EU-RoHS2.
  - CABLE ASSEMBLIES MUST MEET SHIELDING EFFECTIVENESS REQUIREMENTS OF 35DB MINIMUM FROM 1-10GHZ AND 30DB FROM 10-18 GHZ.
  - EPROM CONTENT SHALL BE COMPLIANT WITH OSFP MSA & SFF-8636 SPECIFICATIONS FOR 100GBASE-CR-4. EPROM REVISION IS EQUAL TO CUSTOMER PART NUMBER REVISION UNLESS OTHERWISE NOTED.
  - PACKAGE COMPLETED ASSY IN AN APPROPRIATELY SIZED ESD BAG.
  - UL LABEL MUST BE ON SHIPPING CARTON PER SUBJECT 764 OF THE UL COMPONENT WIRING HARNESS (ZPFW2) FILE #E86140. CSA LABEL MUST BE ON SHIPPING CARTON.



TOLERANCES	DWN 12/14/2018	<p><b>Amphenol AHSP</b></p> <p>A Division of Amphenol Corporation</p> <p>200 Innovative Way, Suite 201, Nashua, N.H. 03062 (603) 879-3000</p>	TITLE
0.0 ± 0.1	M.HUSSAIN 12/14/2018		CABLE ASSY, OSFP PASSIVE, 100Ω, 28 AWG
0.00 ± 0.08	M.HUSSAIN 12/14/2018		PART NO. SEE TABLE 1
0.000 ± -	APVD 12/14/2018		DRAWING NO. C-NDVVYG-C199
ANGLES ± 1.0°	M.HUSSAIN	REV N/A	
UNLESS OTHERWISE SPECIFIED DIMENSIONS ARE IN MM			REV C
CUSTOMER USE DRAWING			SIZE D SCALE 2:1 SHEET 1 of 2

REVISIONS						
ZONE	REV.	ECN	DESCRIPTION	BY	DATE	APPROVED
			SEE SHEET 1			



NOTE: DC BLOCKING CAP VALUE IS 100nF

TOLERANCES		DWN	12/14/2018	<b>Amphenol AHSP</b> A Division of Amphenol Corporation 200 Innovative Way, Suite 201, Nashua, N.H. 03062 (603) 879-3000
0.0	± 0.1	CHK	12/14/2018	
0.00	± 0.08		M.HUSSAIN	
0.000	± -	APVD	12/14/2018	
ANGLES	± 1.0°		M.HUSSAIN	
UNLESS OTHERWISE SPECIFIED DIMENSIONS ARE IN MM				TITLE CABLE ASSY, OSFP PASSIVE, 100Ω, 28 AWG
CUSTOMER USE DRAWING		PART NO.	SEE TABLE 1	REV N/A
		DRAWING NO.	C-NDVVYG-C199	REV C
SIZE	D	SCALE	1:1	SHEET 2 of 2

