

CUSTOMER DRAWING

CATALOG # PMSODLXC

ECN #	APPRVD.	DATE
22-185505	JB	30NOV22

SAFETY ORGANIZATIONS

THIS FILTER HAS BEEN FORMALLY RECOGNIZED, CERTIFIED OR APPROVED BY THE LISTED AGENCY. THEREFORE, ALL TEST/REQUIREMENTS SPECIFIED IN THE LATEST REVISION OF THE FOLLOWING AGENCY STANDARDS HAVE BEEN MET:

UL RECOGNIZED: UL 1283
 VDE APPROVED: EN 60939-2

OPERATING SPECIFICATIONS

LINE CURRENT/VOLTAGE: 10 AMP, 120/250 VAC,
 10 AMP/40°C, 250 VAC

LINE FREQUENCY: 50-60Hz

MAXIMUM LEAKAGE CURRENT,
 EACH LINE TO GROUND: 2µA @ 120V 60Hz
 5µA @ 250V 50Hz

OPERATING AMBIENT TEMP. RANGE: -10°C TO +40°C @ RATED CURRENT, I_r.

IN AN AMBIENT, T_a, HIGHER THAN 40°C, THE MAXIMUM OPERATING CURRENT, I_o, IS AS FOLLOWS:

$$I_o = I_r \sqrt{\frac{85 - T_a}{45}}$$

RELIABILITY SPECIFICATIONS:

STORAGE TEMPERATURE: -40°C TO +85°C
 HUMIDITY: 21 DAYS @ 40°C 95% RH.
 CURRENT OVERLOAD TEST: 6 TIMES I_r FOR 8 SECONDS

TEST SPECIFICATIONS:

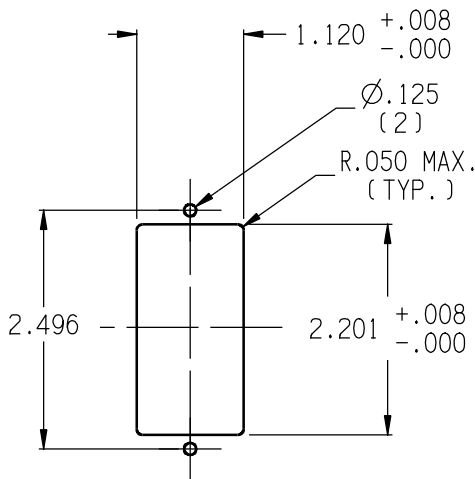
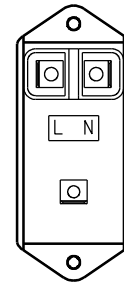
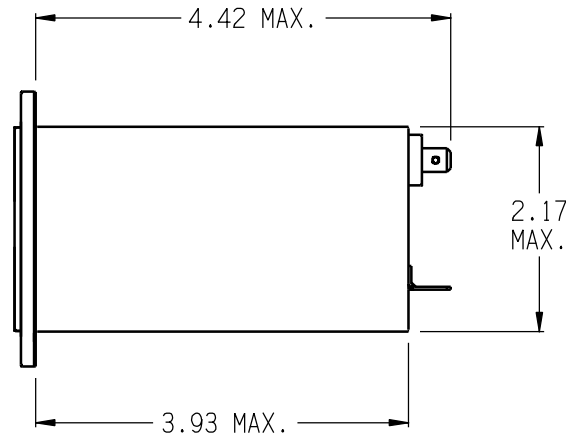
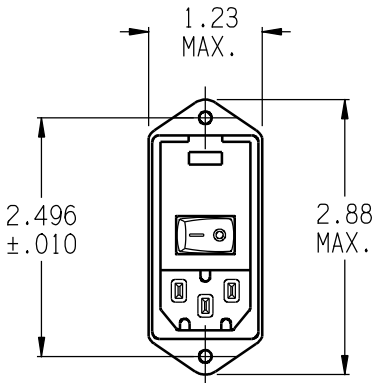
INDUCTANCE: 4.0 mH NOMINAL
 CAPACITANCE: (MEASURED @ 1KHz, 0.250VAC MAX., 25°C±1°C)
 LINE TO GROUND: N/A
 LINE TO LINE: 2.0µF ±20%
 DISCHARGE RESISTOR: 165K Ω
 L/G AND L/L I.R.
 NO DISCHARGE RESISTOR: 6000MΩ (MIN.) @ 100VDC, 20°C AND 50% RH

RECOMMENDED RECEIVING INSPECTION HIPOT:

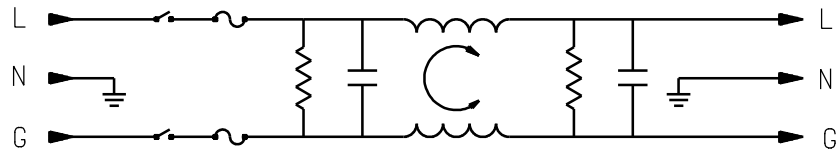
LINE TO GROUND: 1500VAC OR 2250VDC FOR 1 MINUTE
 LINE TO LINE: 1450VDC FOR 1 MINUTE

FILTER APPROVAL:

THE BEST WAY TO SELECT AND QUALIFY A FILTER IS FOR YOUR ENGINEERING TO TEST THE UNIT IN YOUR EQUIPMENT.



PANEL CUTOUT



50Ω - 50Ω (MINIMUM) INSERTION LOSS									THIRD ANGLE PROJECTION	<p>Tyco Electronics CORCIM PRODUCTS, 620 S. BUTTERFIELD RD. MUNDELEIN IL 60060</p>		
FREQUENCY MHz	.01	.05	.10	.15	.50	1.0	5.0	10.0	30.0	UNLESS OTHERWISE SPECIFIED, TOLERANCE TO BE ±.025 MATERIAL & FINISH: AS SUPPLIED		
COMMON dB	5	17	22	23	24	25	21	18	14			
DIFF. dB	10	20	20	35	67	75	75	70	60	TYCO ELECTRONICS PART NO. 2-1609109-5 SCALE: NTS DATE: 28MAY08 CATALOG NO. PMSODLXC REV. C DRW. BY: SD ORIG: ELC		