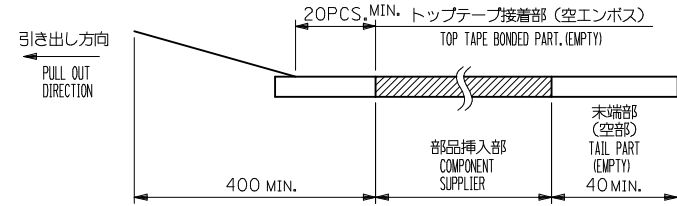
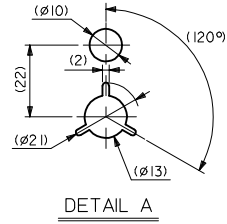
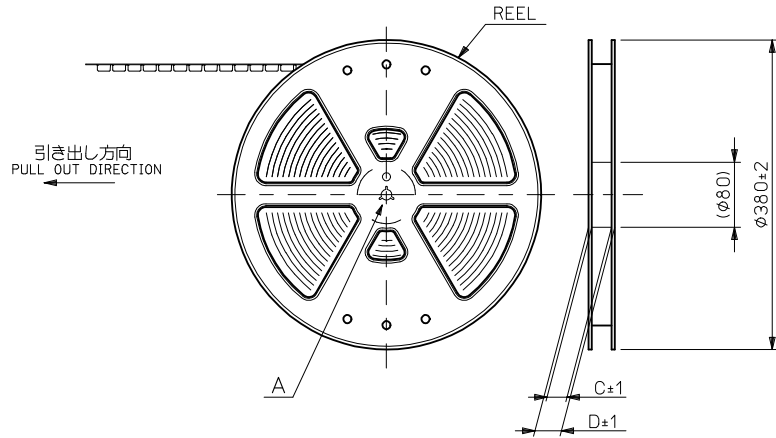
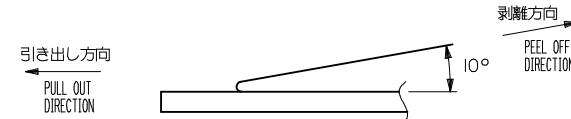


注記 NOTES

- 製品詳細寸法については、図面SD-54393-024を参照下さい。
RE DETAILED DIMENSION, SEE SD-54393-024.
- 梱包数量：2000個/リール
NUMBER OF CONNECTORS : 2000PCS/REEL
- リードテープ長さ LEAD TAPE LENGTH



- トップテープの剥離強度：0.1N~1.3N {10gf~130gf}
(剥離方向は下図参照)
尚、本規格値は出荷時に適用。(但し、輸送時に剥離が発生しないこと。)
PEELING OFF FORCE OF TOP TAPE : 0.1N ~ 1.3N {10gf ~ 130gf}
(PEELING DIRECTION AS SHOWN IN FOLLOWING FIG.)
THIS REQUIREMENT SHOULD BE APPLIED AT SHIPMENT.
PEEL OFF SHOULD NOT BE ALLOWED, DURING TRANSPORTATION.

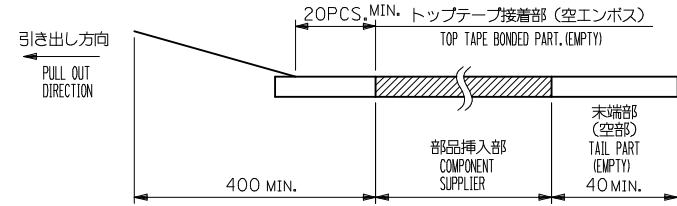
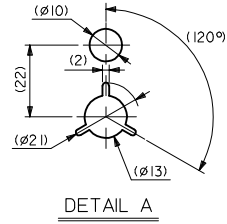
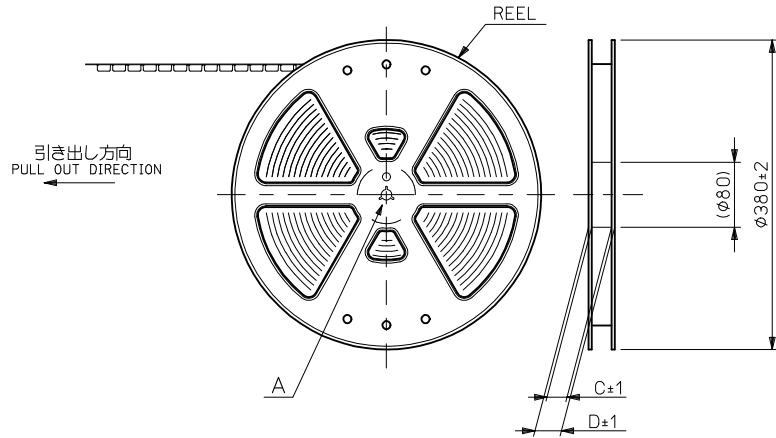


- 材料 (MATERIAL)
キャリアテープ (CARRIER TAPE) : ポリプロピレン (POLYPROPYLENE)
トップテープ (TOP TAPE) : PET, PE, PEF
リール (REEL) : ポリスチレン (PS) <リサイクル材を含む>
POLYSTYREN (PS) <RECYCLE MATERIAL CONTAINED>
- 本製品は54393-**-91の鉛フリー品です。
THIS PRODUCT IS LEAD FREE OF 54393-**-91

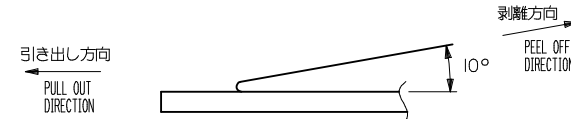
REVISED EC NO: J2017-0534 DRAWINGS CHKD: APPR: MSASAO	DESCRIPTION 2017/04/27 2017/05/26	GENERAL TOLERANCES (UNLESS SPECIFIED)		DIMENSION STYLE MM ONLY		SCALE ---	54393-**-81	MODEL NO.	
		0.25 UNDER ±		DRAWN BY DATE		DESIGN UNITS METRIC			
		0.25 OVER 0.5 UNDER ±		H.SHIMABUKUR '04/01/29		THIRD ANGLE PROJECTION			
		0.5 OVER 1.0 UNDER ±		CHECKED BY DATE		TITLE 0.3 FPC CONN (EASY ON) HSG ASSY EMBSTP PKG -LEAD FREE-			
D	REV	0 OVER 10 UNDER ±---		K.TOJO '04/01/29		DOCUMENT NO.			
		10 OVER 30 UNDER ±---		APPROVED BY DATE		SHEET NO.			
		30 OVER ±---		M.SASAO '04/01/29		1 OF 3			
		ANGULAR ±--- °		MATERIAL NO.		SD-54393-023			
DRAFT WHERE APPLICABLE MUST REMAIN WITHIN DIMENSIONS				SIZE A3		THIS DRAWING CONTAINS INFORMATION THAT IS PROPRIETARY TO MOLEX ELECTRONIC TECHNOLOGIES, LLC AND SHOULD NOT BE USED WITHOUT WRITTEN PERMISSION			

注記 NOTES

- 製品詳細寸法については、図面SD-54393-024を参照下さい。
RE DETAILED DIMENSION, SEE SD-54393-024.
- 梱包数量：2000個/リール
NUMBER OF CONNECTORS : 2000PCS/REEL
- リードテープ長さ LEAD TAPE LENGTH



- トップテープの剥離強度：0.1N~1.3N {10gf~130gf}
(剥離方向は下図参照)
尚、本規格値は出荷時に適用。(但し、輸送時に剥離が発生しないこと。)
PEELING OFF FORCE OF TOP TAPE : 0.1N ~ 1.3N {10gf ~ 130gf}
(PEELING DIRECTION AS SHOWN IN FOLLOWING FIG.)
THIS REQUIREMENT SHOULD BE APPLIED AT SHIPMENT.
PEEL OFF SHOULD NOT BE ALLOWED, DURING TRANSPORTATION.



- 材料 (MATERIAL)
キャリアテープ (CARRIER TAPE) : ポリプロピレン (POLYPROPYLENE)
トップテープ (TOP TAPE) : PET, PE, PEF
リール (REEL) : ポリスチレン (PS) <リサイクル材を含む>
POLYSTYREN (PS) <RECYCLE MATERIAL CONTAINED>
- 本製品は54393-**-91の鉛フリー品です。
THIS PRODUCT IS LEAD FREE OF 54393-**-91

REVISED EC NO: J2017-0534 DRAWINGS CHKD: APPR: MSASAO	DESCRIPTION 2017/04/27 2017/05/26	GENERAL TOLERANCES (UNLESS SPECIFIED)		DIMENSION STYLE MM ONLY		SCALE ---	54393-**-81 DESIGN UNITS METRIC	MODEL NO. THIRD ANGLE PROJECTION
		0.25 UNDER	±	DRAWN BY H. SHIMABUKUR	DATE '04/01/29	TITLE 0.3 FPC CONN (EASY ON) HSG ASSY EMBSTP PKG -LEAD FREE-		
D	REV	0.25 OVER	0.5 UNDER	±	CHECKED BY K. TOJO	DATE '04/01/29		
		0.5 OVER	1.0 UNDER	±	APPROVED BY M. SASAO	DATE '04/01/29		
		10 OVER	30 UNDER	± ---	MATERIAL NO.		DOCUMENT NO.	SHEET NO.
		30 OVER	± ---	ANGULAR ± --- °		SEE CHART	SD-54393-023	1 OF 3
DRAFT WHERE APPLICABLE MUST REMAIN WITHIN DIMENSIONS				SIZE A3	THIS DRAWING CONTAINS INFORMATION THAT IS PROPRIETARY TO MOLEX ELECTRONIC TECHNOLOGIES, LLC AND SHOULD NOT BE USED WITHOUT WRITTEN PERMISSION			

10 9 8 7 6 5 4 3 2 1

F

E

D

C

B

A

F

E

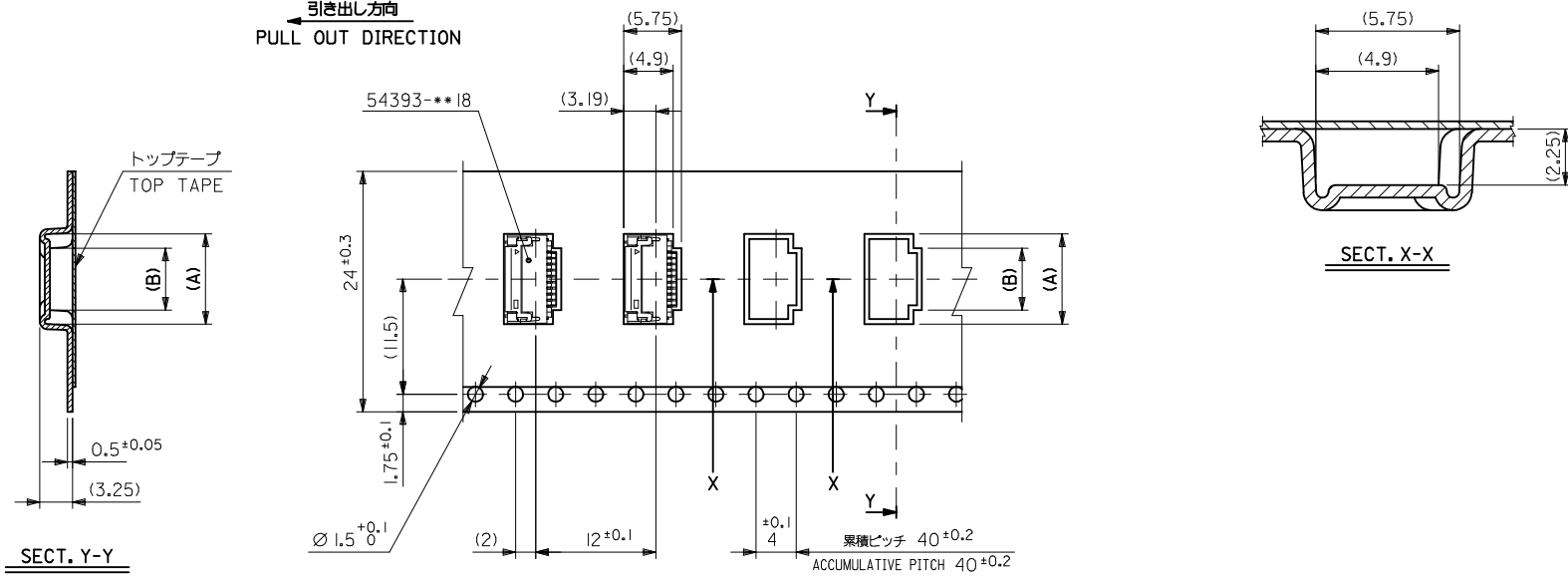
D

C

B

A

引き出し方向
PULL OUT DIRECTION



24mm幅キャリアテープ
24mm WIDTH CARRIER TAPE

24	29.4	25.4	11.6	14.4	54393-3981	39
キャリアテープ幅 CARRIER TAPE WIDTH	D	C	B	A	MATERIAL NO.	標致 CKT.
					54393-***81	MODEL NO.

REVISED EC NO: J2017-0534 DRAWINGS CHKD: APPR: MSASAO 2017/04/27 2017/05/26	GENERAL TOLERANCES (UNLESS SPECIFIED)		DIMENSION STYLE MM ONLY		SCALE ---	DESIGN UNITS METRIC	THIRD ANGLE PROJECTION
	0.25 UNDER	±	DRAWN BY H. SHIMABUKUR	DATE '04/01/29	TITLE 0.3 FPC CONN (EASY ON) HSG ASSY EMBSTP PKG -LEAD FREE-		
	0.25 OVER 0.5 UNDER	±	CHECKED BY K. TOJO	DATE '04/01/29	molex DOCUMENT NO. SD-54393-023 SHEET NO. 2 OF 3		
	0.5 OVER 1.0 UNDER	±	APPROVED BY M. SASAO	DATE '04/01/29			
0 OVER 10 UNDER	±---	MATERIAL NO.		SEE CHART			
10 OVER 30 UNDER	±---	DRAFT WHERE APPLICABLE MUST REMAIN WITHIN DIMENSIONS		THIS DRAWING CONTAINS INFORMATION THAT IS PROPRIETARY TO MOLEX ELECTRONIC TECHNOLOGIES, LLC AND SHOULD NOT BE USED WITHOUT WRITTEN PERMISSION			
30 OVER	±---	SIZE A3					

9 8 7 6 5 4 3 2 1

10 9 8 7 6 5 4 3 2 1

F

E

D

C

B

A

F

E

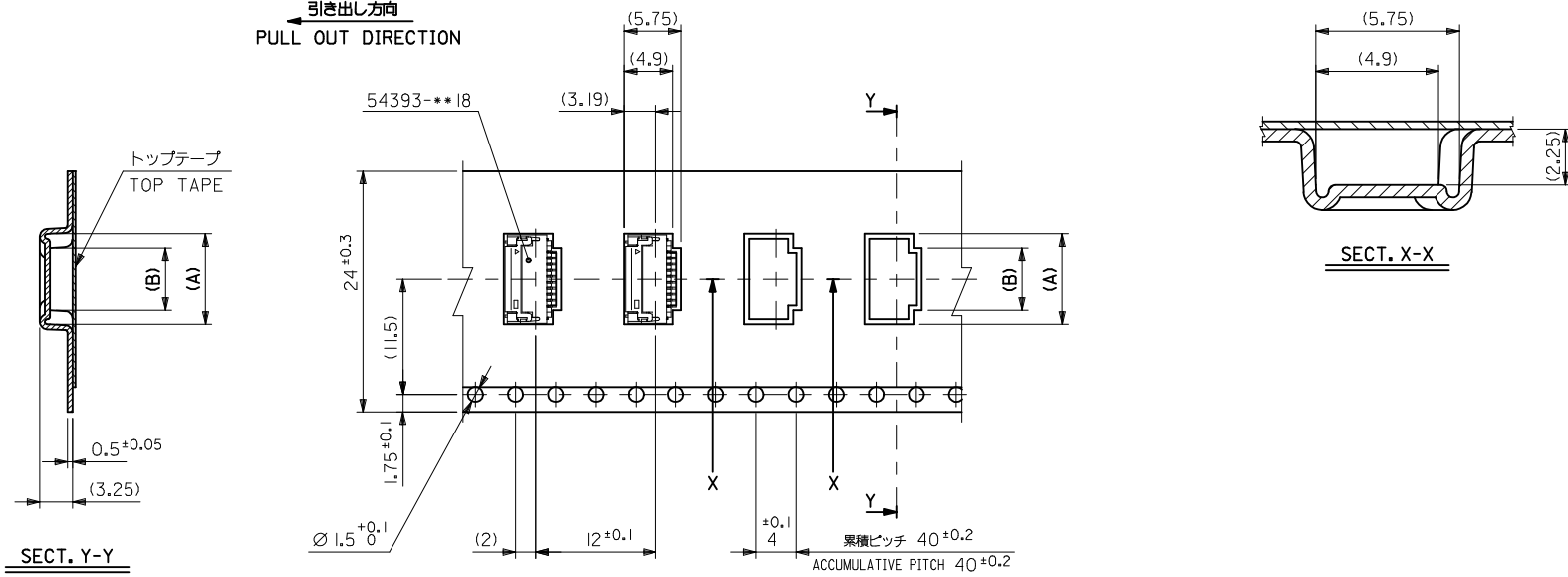
D

C

B

A

引き出し方向
PULL OUT DIRECTION



24mm幅キャリアテープ
24mm WIDTH CARRIER TAPE

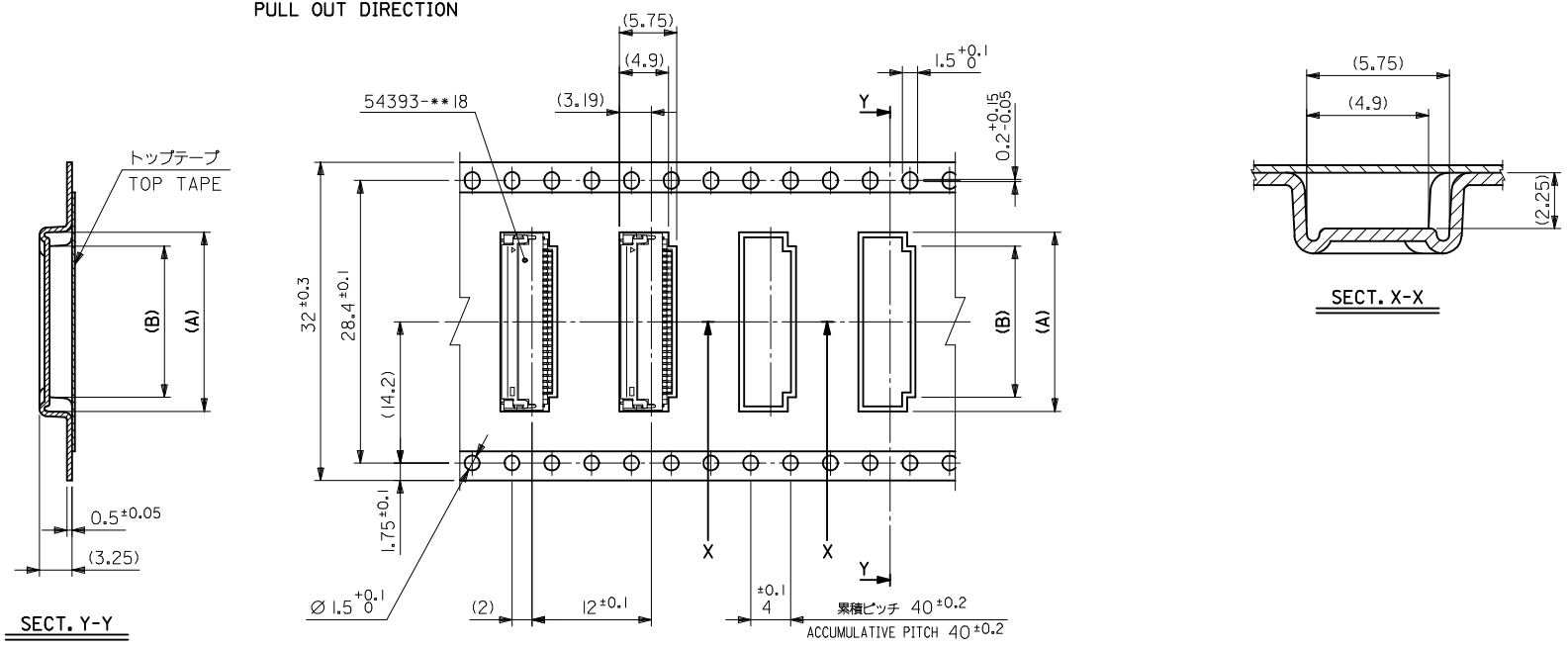
24	29.4	25.4	11.6	14.4	54393-3981	39
キャリアテープ幅 CARRIER TAPE WIDTH	D	C	B	A	MATERIAL NO.	標致 CKT.
					54393-***81	MODEL NO.

REVISED EC NO: J2017-0534 DRAWN: 2017/04/27 CHKD: APPR: MSASAO 2017/05/26	GENERAL TOLERANCES (UNLESS SPECIFIED)		DIMENSION STYLE MM ONLY		SCALE ---	DESIGN UNITS METRIC	THIRD ANGLE PROJECTION
	0.25 UNDER	±	DRAWN BY H. SHIMABUKUR	DATE '04/01/29	TITLE 0.3 FPC CONN (EASY ON) HSG ASSY EMBSTP PKG -LEAD FREE-		
	0.25 OVER 0.5 UNDER	±	CHECKED BY K. TOJO	DATE '04/01/29	molex DOCUMENT NO. SD-54393-023 SHEET NO. 2 OF 3		
	0.5 OVER 1.0 UNDER	±	APPROVED BY M. SASAO	DATE '04/01/29			
0 OVER 10 UNDER	±---	MATERIAL NO.		SEE CHART			
10 OVER 30 UNDER	±---	DRAFT WHERE APPLICABLE MUST REMAIN WITHIN DIMENSIONS		THIS DRAWING CONTAINS INFORMATION THAT IS PROPRIETARY TO MOLEX ELECTRONIC TECHNOLOGIES, LLC AND SHOULD NOT BE USED WITHOUT WRITTEN PERMISSION			
30 OVER	±---	SIZE A3					
ANGULAR ±--- °							

9 8 7 6 5 4 3 2 1

10 9 8 7 6 5 4 3 2 1

引き出し方向
PULL OUT DIRECTION



32mm幅キャリアテープ
32mm WIDTH CARRIER TAPE

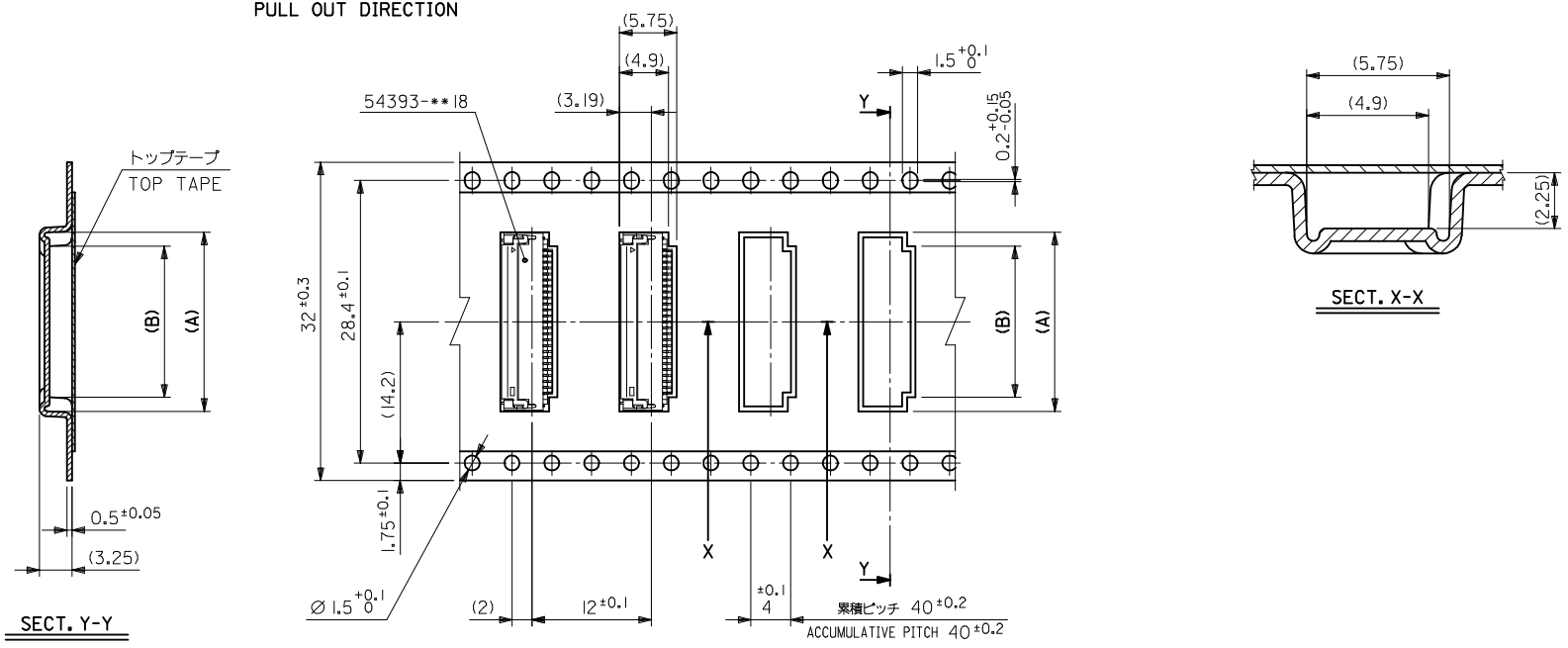
32	37.4	33.4	15.2	18.0	54393-5181	51
キャリアテープ幅 CARRIER TAPE WIDTH	D	C	B	A	MATERIAL NO.	極致 CKT.
					54393-***81	MODEL NO.

REVISED EC NO: J2017-0534 DRWNGS 2017/04/27 CHKD: CHIKD APPR: MSASAO 2017/05/26	GENERAL TOLERANCES (UNLESS SPECIFIED)		DIMENSION STYLE MM ONLY		SCALE ---	DESIGN UNITS METRIC	THIRD ANGLE PROJECTION
	0.25 UNDER	±	DRAWN BY	DATE	TITLE		
	0.25 OVER 0.5 UNDER	±	H. SHIMABUKUR	'04/01/29	0.3 FPC CONN (EASY ON) HSG ASSY EMBSTP PKG -LEAD FREE-		
	0.5 OVER 1.0 UNDER	±	K. TOJO	'04/01/29	molex DOCUMENT NO. SD-54393-023 SHEET NO. 3 OF 3		
0 OVER 10 UNDER	±---	APPROVED BY	DATE				
10 OVER 30 UNDER	±---	M. SASAO	'04/01/29				
30 OVER	±---	MATERIAL NO.		SEE CHART			
ANGULAR	±---°	SIZE A3		THIS DRAWING CONTAINS INFORMATION THAT IS PROPRIETARY TO MOLEX ELECTRONIC TECHNOLOGIES, LLC AND SHOULD NOT BE USED WITHOUT WRITTEN PERMISSION			
DRAFT WHERE APPLICABLE MUST REMAIN WITHIN DIMENSIONS							

9 8 7 6 5 4 3 2 1

10 9 8 7 6 5 4 3 2 1

引き出し方向
PULL OUT DIRECTION

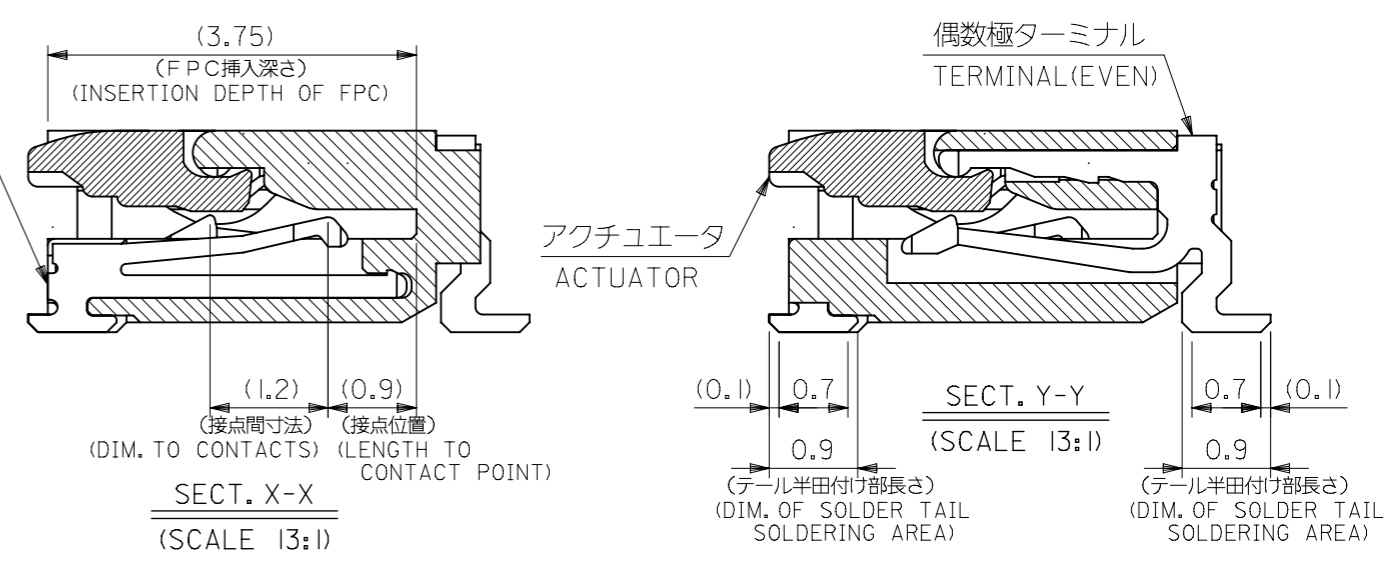
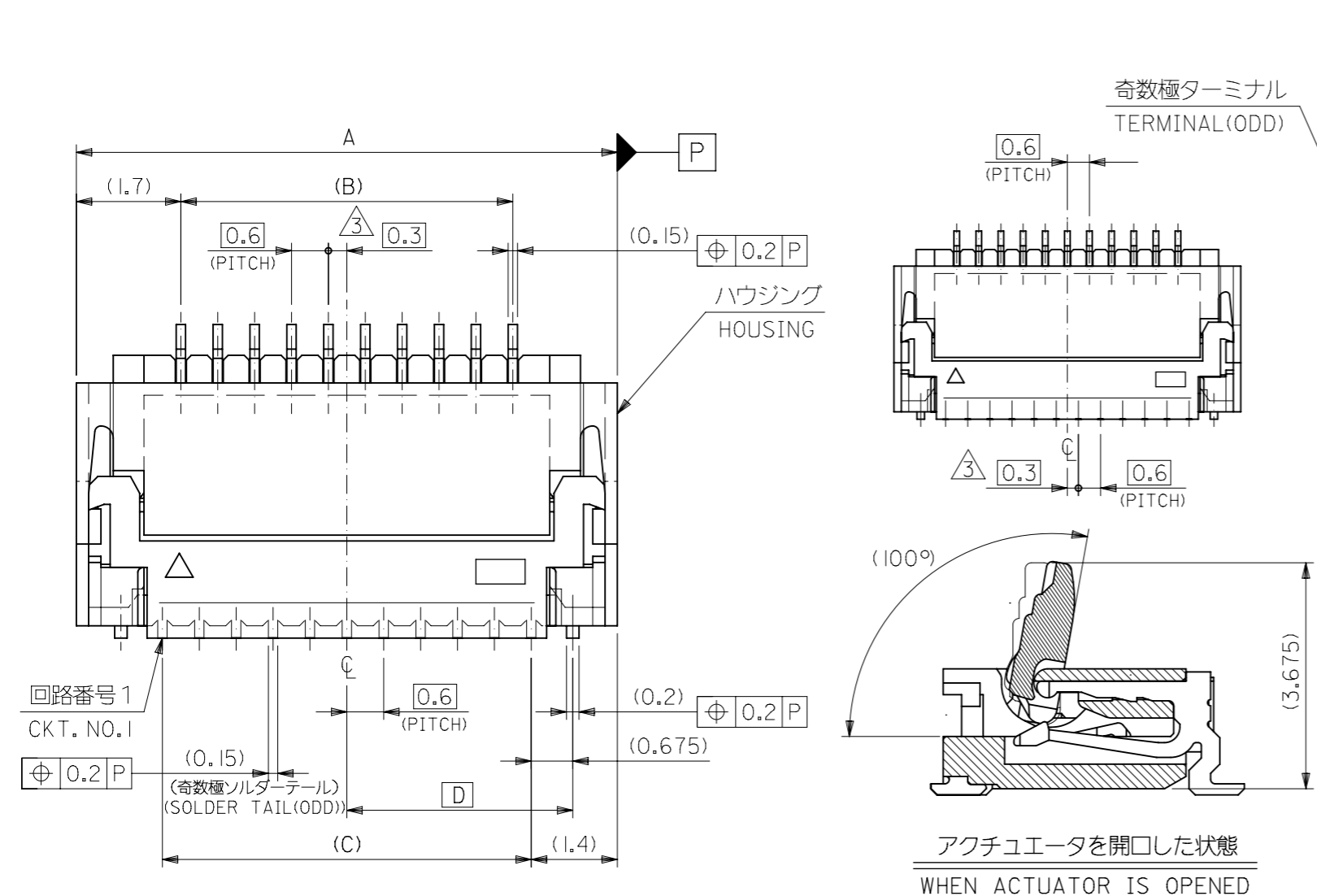


32mm幅キャリアテープ
32mm WIDTH CARRIER TAPE

32	37.4	33.4	15.2	18.0	54393-5181	51
キャリアテープ幅 CARRIER TAPE WIDTH	D	C	B	A	MATERIAL NO.	極致 CKT.
					54393-***81	MODEL NO.

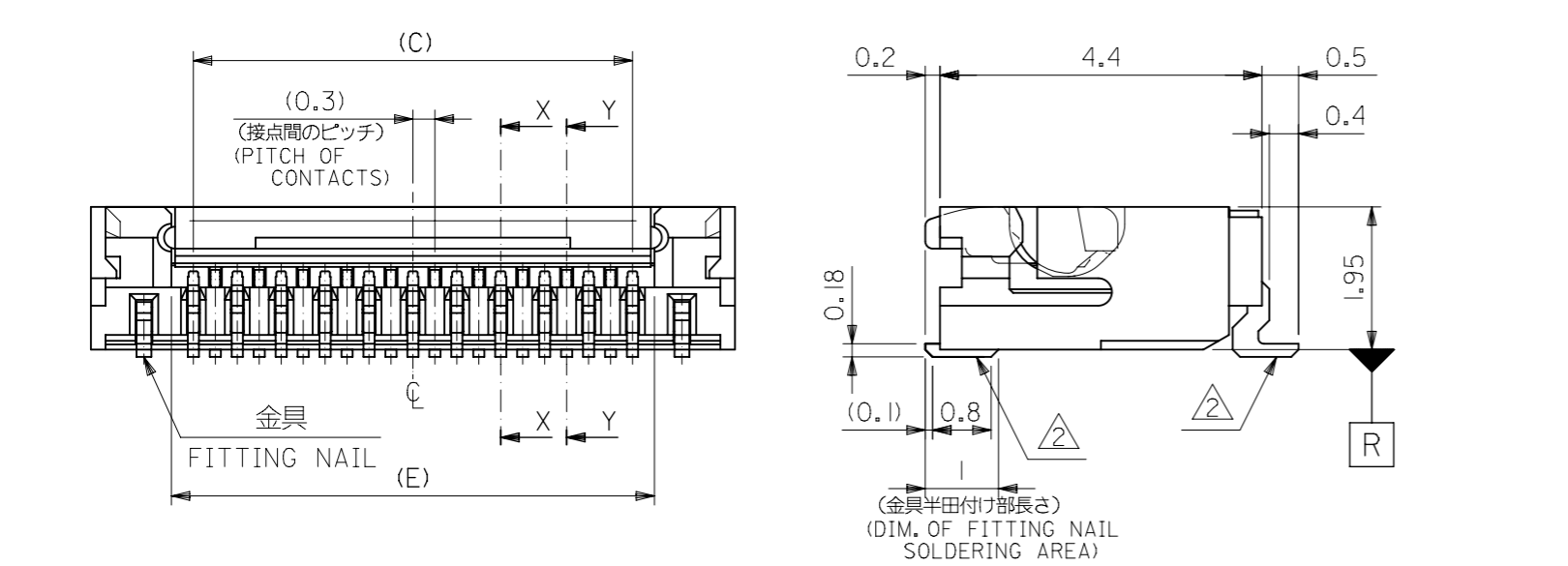
REVISED EC NO: J2017-0534 DRWNGES 2017/04/27 CHKD: CHIKD: APPR: MSASAO 2017/05/26	GENERAL TOLERANCES (UNLESS SPECIFIED)		DIMENSION STYLE MM ONLY		SCALE ---	DESIGN UNITS METRIC	THIRD ANGLE PROJECTION
	0.25 UNDER	±	DRAWN BY	DATE	TITLE		
	0.25 OVER 0.5 UNDER	±	H. SHIMABUKUR	'04/01/29	0.3 FPC CONN (EASY ON) HSG ASSY EMBSTP PKG -LEAD FREE-		
	0.5 OVER 1.0 UNDER	±	K. TOJO	'04/01/29	molex DOCUMENT NO. SD-54393-023 SHEET NO. 3 OF 3		
0 OVER 10 UNDER	±---	APPROVED BY	DATE				
10 OVER 30 UNDER	±---	M. SASAO	'04/01/29	SEE CHART			
30 OVER	±---	MATERIAL NO.		THIS DRAWING CONTAINS INFORMATION THAT IS PROPRIETARY TO MOLEX ELECTRONIC TECHNOLOGIES, LLC AND SHOULD NOT BE USED WITHOUT WRITTEN PERMISSION			
ANGULAR	±--- °	DRAFT WHERE APPLICABLE MUST REMAIN WITHIN DIMENSIONS		SIZE A3			

9 8 7 6 5 4 3 2 1



注記 NOTES

- 使用材料 MATERIAL
 ハウジング : LCP, UL94V-0
 HOUSING
 アクチュエータ : PPS, UL94V-0
 ACTUATOR
 ターミナル : リン青銅 (t=0.15), ニッケル下地金メッキ
 TERMINAL : PHOS-BRO., GOLD OVER NICKEL PLATING.
 金具 : リン青銅 (t=0.2), ニッケル下地金メッキ
 FITTING NAIL : PHOS-BRO., TIN OVER NICKEL PLATING.
- ソルダータール半田付け面のズレ量、及び金具半田付け面のズレ量は、基準面 **R** に対し、
 上方向0MAX. 下方向0.18MAX.とする。
 又、相互のパラッキ量は0.1MAX.とする。
 MISALIGNMENT OF SOLDER TAILS AND FITTING NAILS FROM **R**
 UPPER DIRECTION : 0 MAX., LOWER DIRECTION : 0.18 MAX.
 OFFSET BETWEEN SOLDER TAILS AND FITTING NAILS : 0.1 MAX.
- (N-1)/2が偶数の場合、偶数極側に適用。
 (N-1)/2が奇数の場合、奇数極側に適用。
 IF (N-1)/2 = EVEN, APPLY FOR
 EVEN CIRCUIT SIDE,
 IF (N-1)/2 = ODD, APPLY FOR
 ODD CIRCUIT SIDE,
- 一般公差 : ±0.3
 GENERAL TOLERANCES : ±0.3
- 本製品は 54393-**77
 の鉛フリー品です
 THIS PRODUCT IS LEAD FREE
 OF 54393-**77



15.6	8.175	15	14.4	17.8	54393-5181	54393-5118	51
6.6	3.675	6	5.4	8.8	54393-2181	54393-2118	39
E	D	C	B	A	EMBOSSED TAPE ORDER No. オーダー番号		MATERIAL NO. CKT.
					54393-**18		MODEL NO.

THIS DRAWING CONTAINS INFORMATION THAT IS PROPRIETARY TO MOLEX ELECTRONIC TECHNOLOGIES, LLC AND SHOULD NOT BE USED WITHOUT WRITTEN PERMISSION

SCALE: mm NTS

GENERAL TOLERANCES (UNLESS SPECIFIED)

	MM	INCH
4 PLACES ±	±	±
3 PLACES ±	±	±
2 PLACES ±	±	±
1 PLACE ±	±	±
0 PLACES ±	±	±
ANGULAR TOL ± °		

CURRENT REV DESC: OBSOLETE PART NO

EC NO: 628886
 DRWN: VLOKESHA 2019/10/31
 CHK'D: GGA 2020/01/13
 APPR: GGA 2020/01/13

INITIAL REVISION:
 DRWN: H.SHIMABUKUR 2004/01/29
 APPR: M.SASAO 2004/01/29

DRAFT WHERE APPLICABLE MUST REMAIN WITHIN DIMENSIONS

THIRD ANGLE PROJECTION

DRAWING: A3-SIZE

SERIES: 54393

MATERIAL NUMBER: SEE CHART

CUSTOMER: GENERAL MARKET

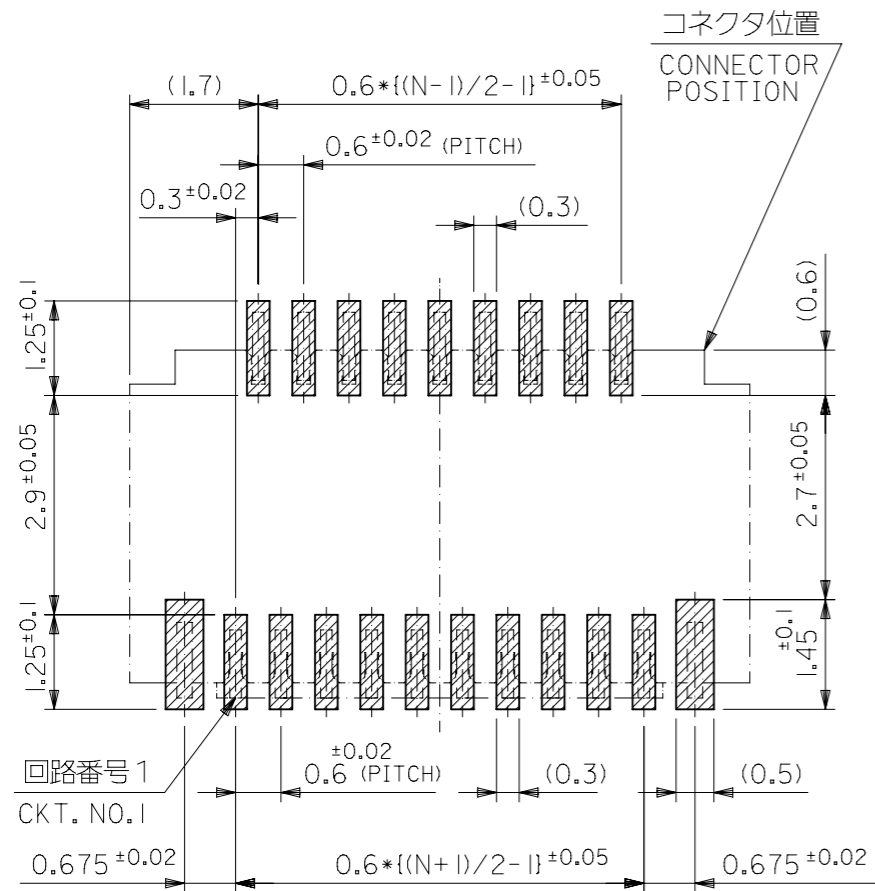
SHEET NUMBER: 1 OF 2

DOCUMENT NUMBER: SD-54393-024

DOC TYPE: PSD

DOC PART: 001

REVISION: E1



F P C 挿入側
FPC INSERTION SIDE

参考基板レイアウト
RECOMMENDED P.C.BOARD
PATTERN DIM. (REF.)

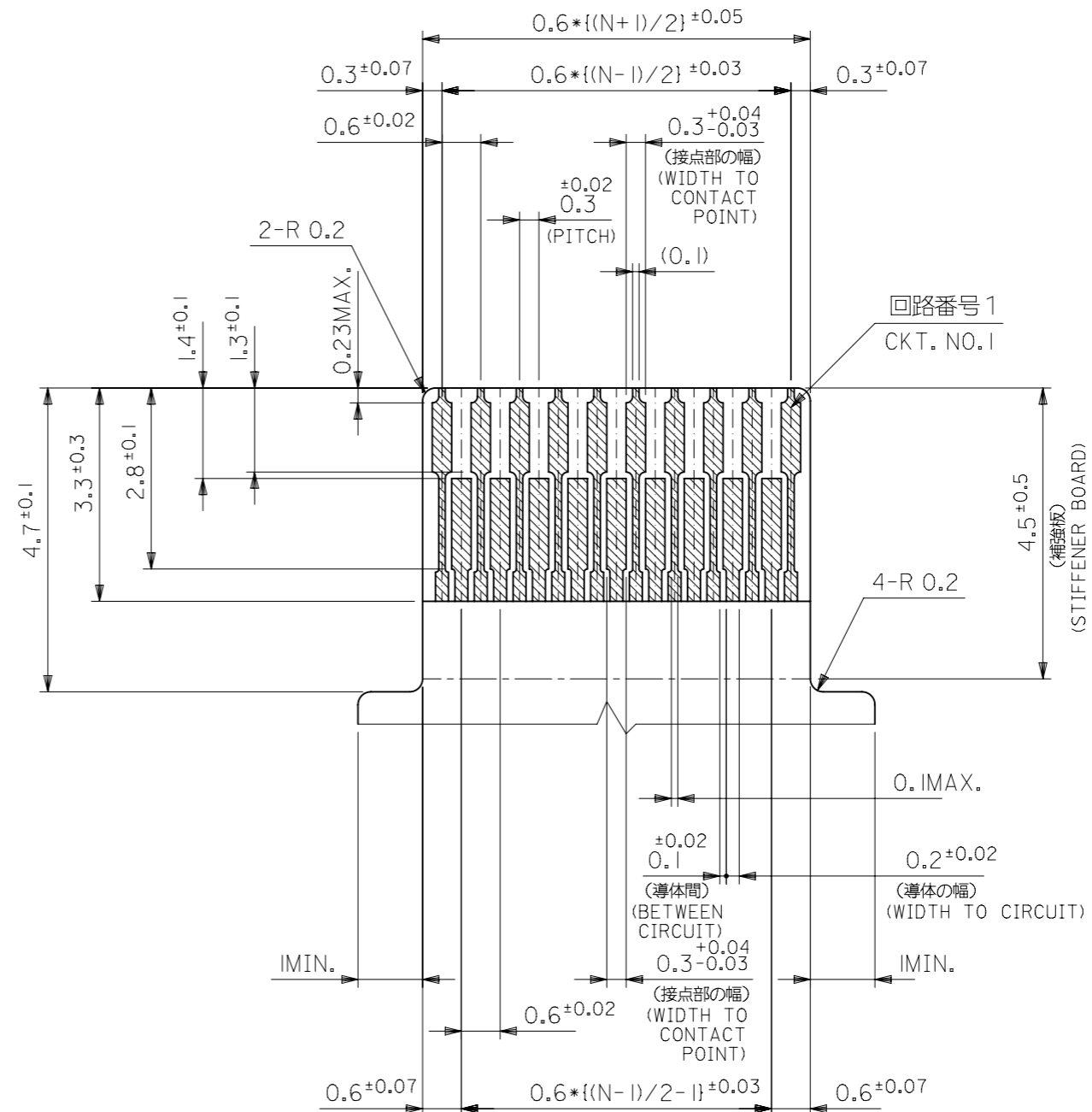
(マウント面)
(MOUNTING SIDE)

F P C について :

打抜き方向は導体側から補強板側を推奨致します。
補強フィルム材質はポリイミドを推奨致します。
接着剤は熱硬化接着剤を推奨致します。

ABOUT FPC:

RECOMMENDED PUNCHER DIRECTION : FROM CONDUCTOR SIDE TO STIFFENER BOARD SIDE.
RECOMMENDED MATERIAL:
STIFFENER FILM : POLYIMIDE
BONDING AGENT : THERMOSETTING BONDING AGENT



適合 F P C 推奨寸法
APPLICABLE FPC
RECOMMENDED DIM.

(仕上がり厚さ : 0.2 ±0.03)
(THICKNESS : 0.2 ±0.03)

THIS DRAWING CONTAINS INFORMATION THAT IS PROPRIETARY TO MOLEX ELECTRONIC TECHNOLOGIES, LLC AND SHOULD NOT BE USED WITHOUT WRITTEN PERMISSION									
DIMENSION UNITS		SCALE		CURRENT REV DESC: OBSOLETE PART NO					
mm		NTS							
GENERAL TOLERANCES (UNLESS SPECIFIED)									
		MM		INCH		EC NO: 628886			
4 PLACES		±		±		DRWN: VLOKESHA		2019/10/31	
3 PLACES		±		±		CHK'D: GGA		2020/01/13	
2 PLACES		±		±		APPR: GGA		2020/01/13	
1 PLACE		±		±		INITIAL REVISION:			
0 PLACES		±		±		DRWN: H.SHIMABUKUR		2004/01/29	
ANGULAR TOL		± °		± °		APPR: M.SASAO		2004/01/29	
DRAFT WHERE APPLICABLE MUST REMAIN WITHIN DIMENSIONS				THIRD ANGLE PROJECTION		DRAWING		SERIES	
						A3-SIZE		54393	
DOCUMENT NUMBER		DOC TYPE		DOC PART		REVISION			
SD-54393-024		PSD		001		E1			
MATERIAL NUMBER		CUSTOMER		SHEET NUMBER					
SEE CHART		GENERAL MARKET		2 OF 2					