



MADE
IN THE **USA**

Companion Products (each sold separately):

- GL100-0212: Glove Box Dispenser - Single (shown below)



Product Description:

- Glove Box Dispenser - Triple
- Holds three boxes of gloves
- Three-way keyholes for vertical or horizontal wall mounting
- Quartz Beige ABS Plastic

Primary Area for Product Usage:

- Anywhere gloves are needed

Dispenses:

- Box(es) no larger than 5.51"W x 11.00"H x 3.74"D (14.0 cm x 25.4 cm x 9.5 cm)
- Box(es) no smaller than 3.75"W x 8.00"H x 2.80"D (14.0 cm x 25.4 cm x 9.5 cm)

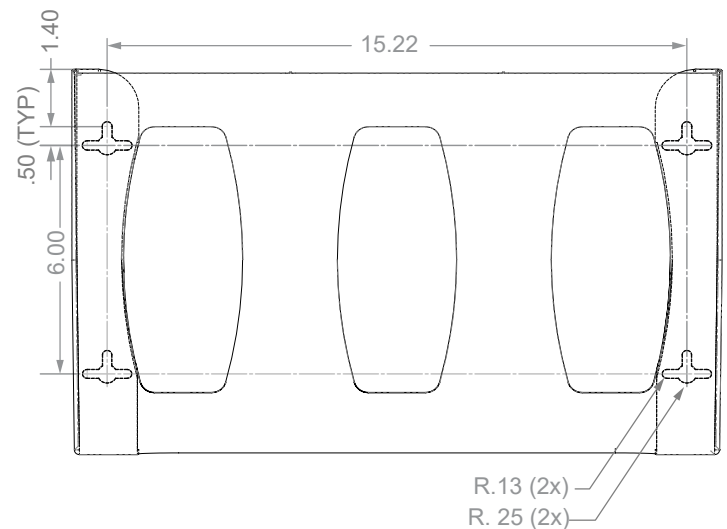
Package Specifications:

- Package Quantity: 6 per case
- 21"L x 14"W x 10"H (53.3 cm x 35.6 cm x 25.4 cm)
- 10.0 lbs (4.5 kg) - approximated

Product Specifications (overall external dimensions):

- 17.08"W x 10.11"H x 4.22"D (43.4 cm x 25.7 cm x 10.7 cm)
- 1.40 lbs (0.6 kg) - approximated

Mounting Specifications:

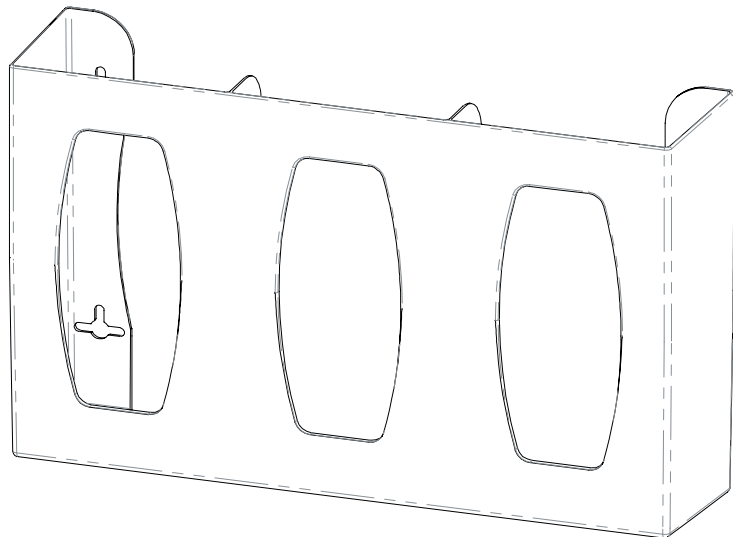




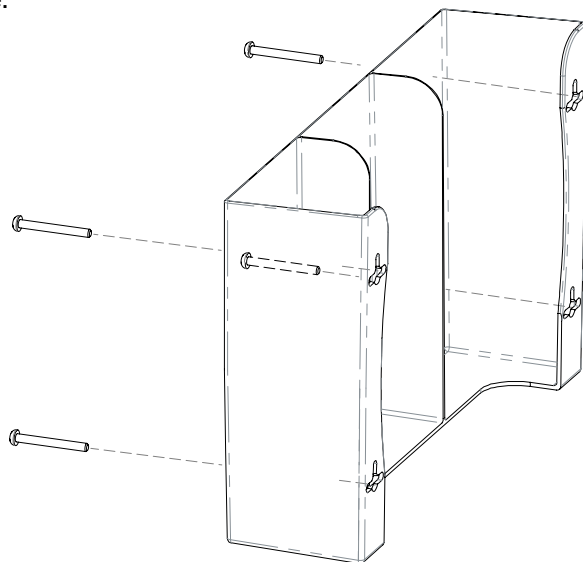
Installation

Always mount dispensers securely *prior* to loading with product.

- Dividers hold each box for ease of loading and removing even when mounted horizontal.



- Mount securely to a wall with screws approved and supplied by building maintenance.



Parts included:

- Dispenser

Tools Required:

- No tools required to assemble dispenser

Care and Construction

ABS Plastic

Material Characteristics

Designed for Long-Term Heavy-Duty Applications

The combination of copolymers (Acrylonitrile, Butadiene, and Styrene) gives ABS an excellent combination of strength, rigidity, and toughness.

ABS is chemical and stress-crack resistant. It is tough, dimensionally stable, and will hold up to long-term use. It possesses high strength and performance characteristics at a reasonable cost.

Care and Cleaning

Use mild soap and water to clean. Petroleum-based oils, solvents, and paints should not be used.

Standard hospital cleaning supplies can be used.