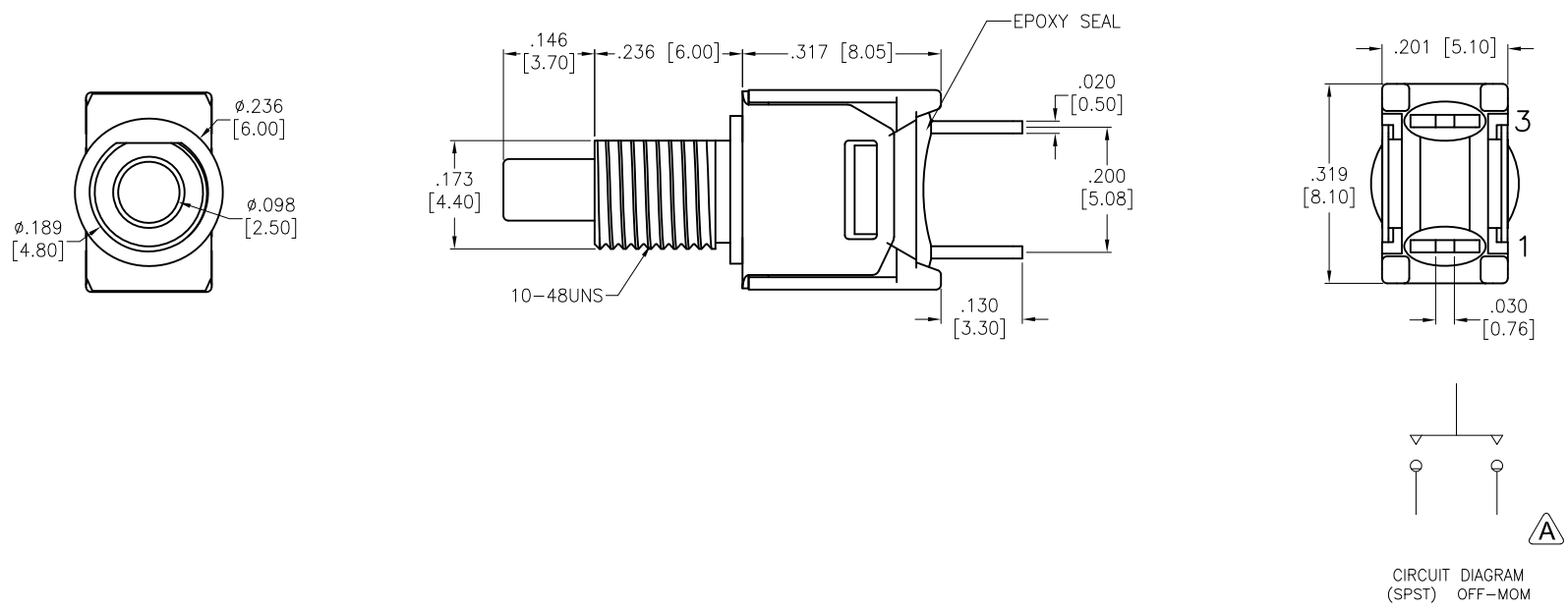


Rev	AWO #	Description	Date	Appr
-		RELEASED	3/9/21	
A		UPDATE SPEC.	6/21/21	WX/RC

APPROVED: \_\_\_\_\_  
 DATE: \_\_\_\_\_ TITLE: \_\_\_\_\_



**SPECIFICATIONS:**  
 Material:  
 Movable Contact: Copper Alloy, Silver Plated  
 Terminal: Copper Alloy, Silver Plated  
 Electrical:  
 Rating: 1 Amps with resistive load @ 125VAC or 28VDC  
 Contact resistance: 20 mΩ max  
 Insulation resistance: 1,000 Mohms min  
 Dielectric withstanding voltage: 1,500V RMS @Sea level  
 Temperature Rating:  
 Operating temperature: -30°C to +85°C  
 Environmental:  
 Lead free, RoHS compliant



UNLESS OTHERWISE SPECIFIED  
 ALL DIMENSIONS ARE INCHES [MM]  
 TOLERANCES: EXCEPT AS NOTED

INCHES		HOLES	
.X	± .10	∅X	± .10
.XX	± .020	∅.XX	± .015
.XXX	± .015	∅.XXX	± .010

APPROVALS		DATE
DRAWN	WX	3/9/21
CHECKED	AC	3/9/21
APPROVED		

**ADAM TECH** 909 Rahway Avenue,  
 Union, NJ 07083  
 Phone: 908-687-5000  
 Fax: 908-687-5710

TITLE: SUB-MINIATURE PUSHBUTTON SWITCH,  
 OFF-MOMENTARY, SPST, SILVER PLATED, PCBTYPE

SIZE X	PART NO. SW-PB9-BA00BQE-5	REV. A
-----------	------------------------------	-----------

REF: S00198T SCALE: NTS SHEET 1 OF 1