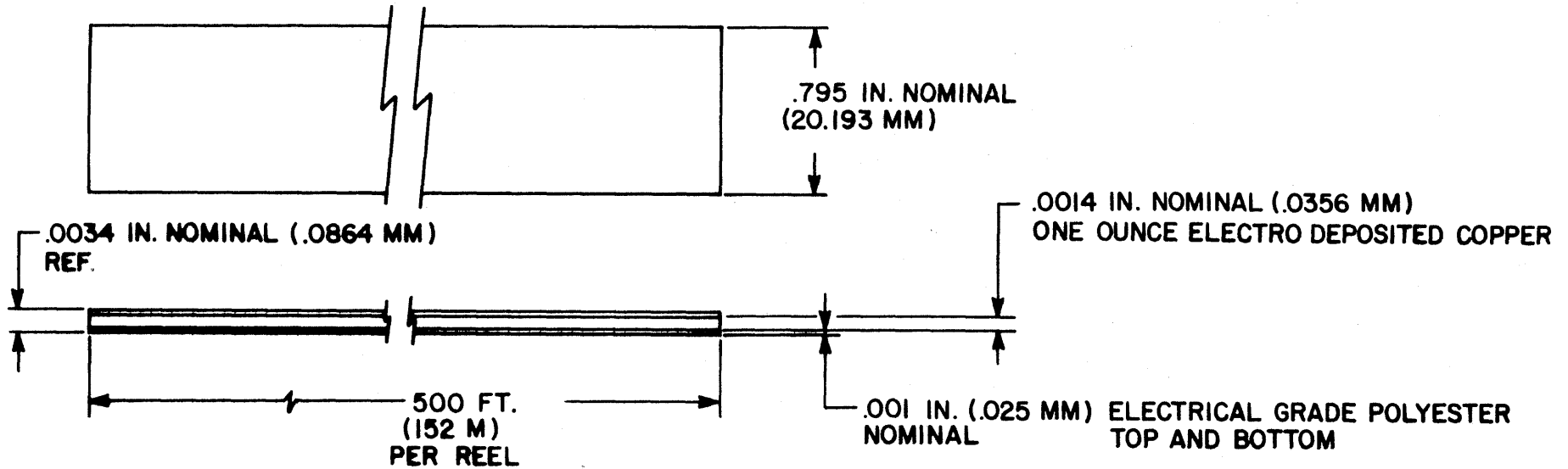


REVISIONS				
ZONE	LTR	DESCRIPTION	DATE	APPROVED
	N/C	INITIAL RELEASE, ECN # 4824	4/26/84	M. Higgs



**NOTES:**

1. SHIELD TO BE SUPPLIED ON A REEL.
2. LENGTH TOLERANCE IS  $\pm 10\%$

**SPECIFICATION CONTROL DRAWING**

© Raychem Corporation 1984

DRAWN	WELCH	7/18/84	<b>Raychem</b>	RAYCHEM CORPORATION 300 CONSTITUTION DRIVE MENLO PARK, CALIFORNIA 94025	
CHECKED	M. Higgs	4/19/84			
APPROVED	M. Higgs	4/19/84	TITLE SHIELD FOR FLAT CABLE, COPPER-POLYESTER LAMINATE, 2 SIDES, .795 NOMINAL WIDTH		
APPROVED			SIZE <b>B</b>	CODE IDENT	DWG. NO.
APPROVED				NO. 06090	<b>CHA-0062</b>
			WEIGHT		SHEET 1 OF 1

If this document is printed it becomes uncontrolled.  
Check with the web for latest revision.

DO NOT SCALE THIS DRAWING