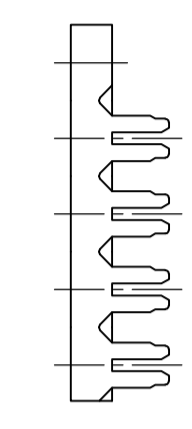
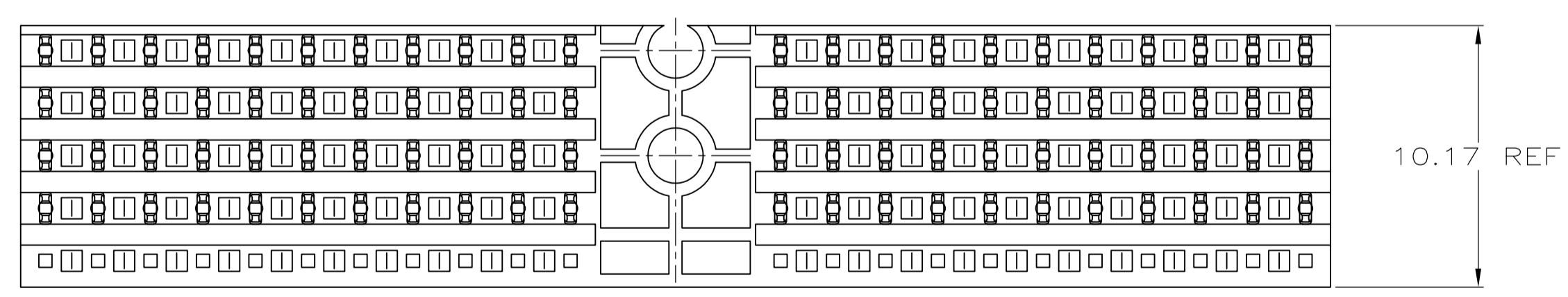
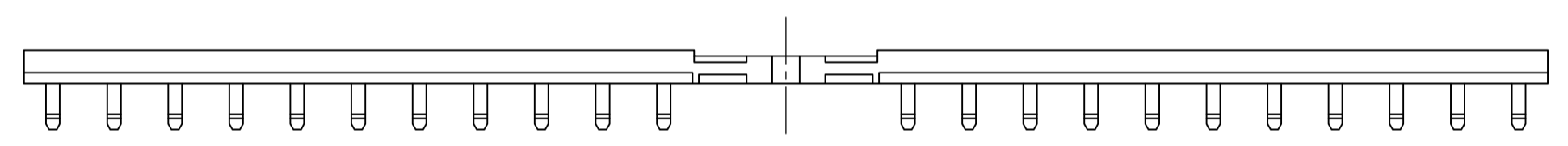
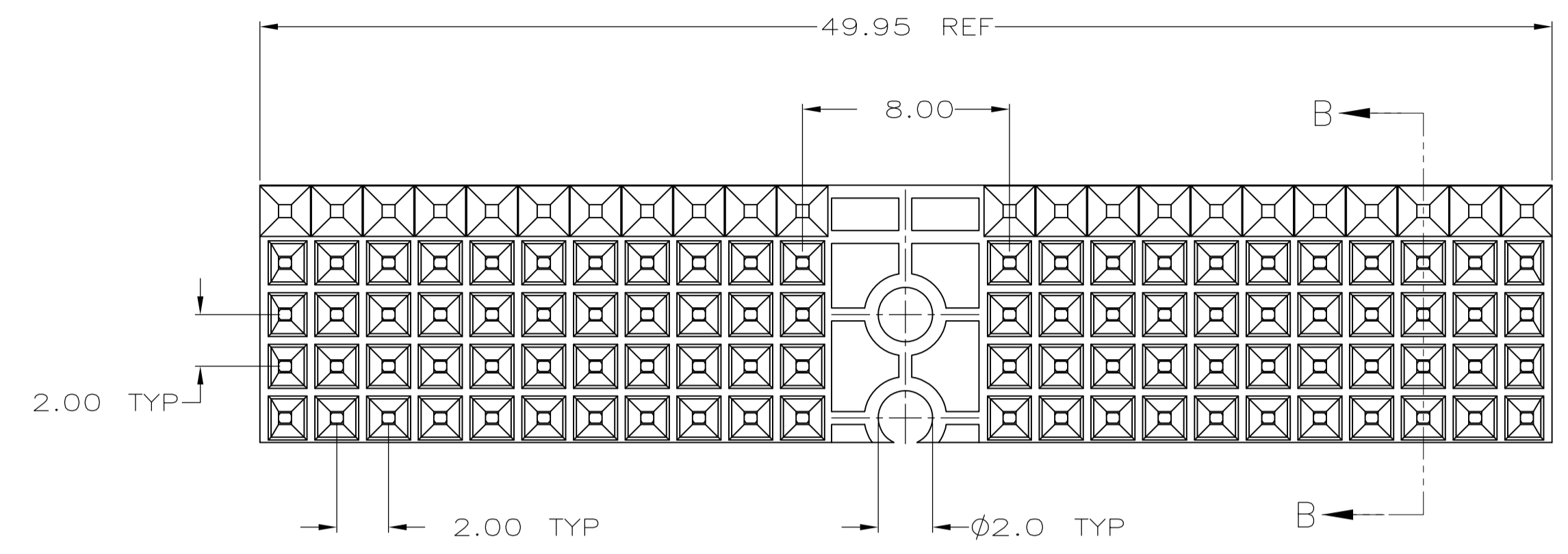
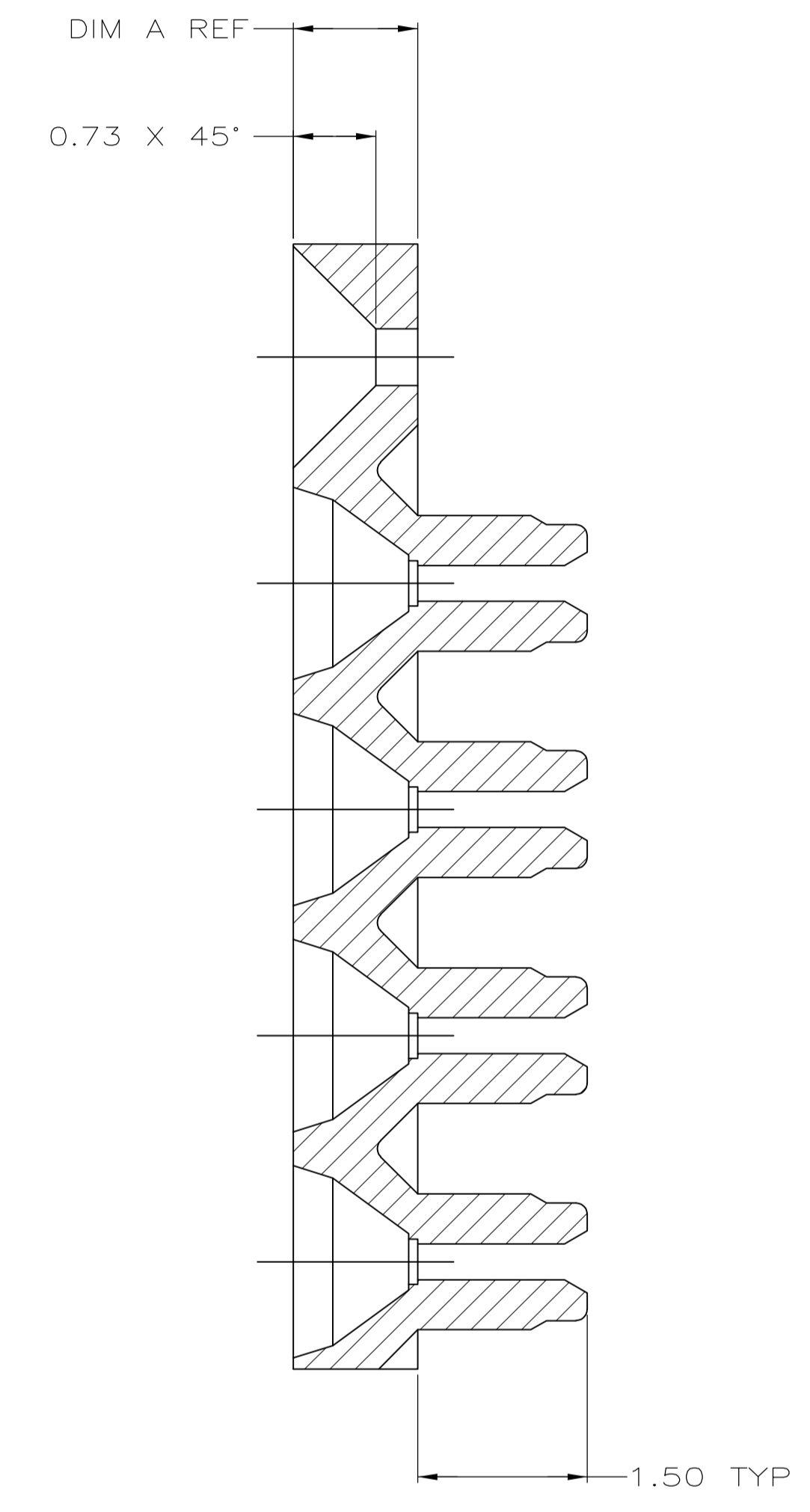


LOC	DIST	REVISIONS				
AD	47	REV	DESCRIPTION	DATE	DWN	APVD
		C	REV PER EC 0S12-0217-03	19 MAR 04	BC	GS
		C1	REVISED PER ECO-10-000443	15JAN10	KK	AEG
		D	ECR-10-019054	15SEP10	DP	MQW



- 646386-2 AS SHOWN
 - 2 SPACERS REQUIRED PER EACH MALE ASSEMBLY.
- ⚠ MATERIAL: UNFILLED POLYESTER, COLOR: GREY.
 ⚠ OBSOLETE PART NUMBER.
 ⚠ OBSOLETE PARTS: OBSOLETE CIS STREAMLINING PER D.RENAUD/D.SINISI



SECTION B-B
SCALE 20:1

	1.9	646386-6
	1.7	⚠ 646386-5
	1.5	⚠ 646386-4
	1.3	⚠ 646386-3
⚠ OBSOLETE	1.1	646386-2
	0.9	646386-1
	DIM "A" REF	PART NUMBER

<small>THIS DRAWING IS A CONTROLLED DOCUMENT FOR AMP INCORPORATED. IF A SUBJECT TO CHANGE AND THE CONTROLLING ENGINEERING ORGANIZATION SHOULD BE CONTACTED FOR THE LATEST REVISION.</small>		DWN: J.LOCONDRO 21NOV96 CHK: R.W.FLICKER 21NOV96 R.P.V.D. R.W.FLICKER 21NOV96 PRODUCT SPEC: - APPLICATION SPEC: - WEIGHT: - CUSTOMER DRAWING: -	AMP AMP Incorporated Harrisburg, PA 17105-3608
DIMENSIONS: mm TOLERANCES UNLESS OTHERWISE SPECIFIED: 0-PLC: ± 1-PLC: ±0.10 2-PLC: ±0.05 3-PLC: ±0.010 4-PLC: ± ANGLES: ±1° FINISH: -	DIM A REF 0.73 X 45° 1.50 TYP	NAME: SPACER, TYPE A FOR Z-PACK 2mm HM, 8 ROW MALE ASSEMBLY SIZE: A1 CAGE CODE: 00779 DRAWING NO: 646386	SCALE: - SHEET: 1 OF 1 REV: 0