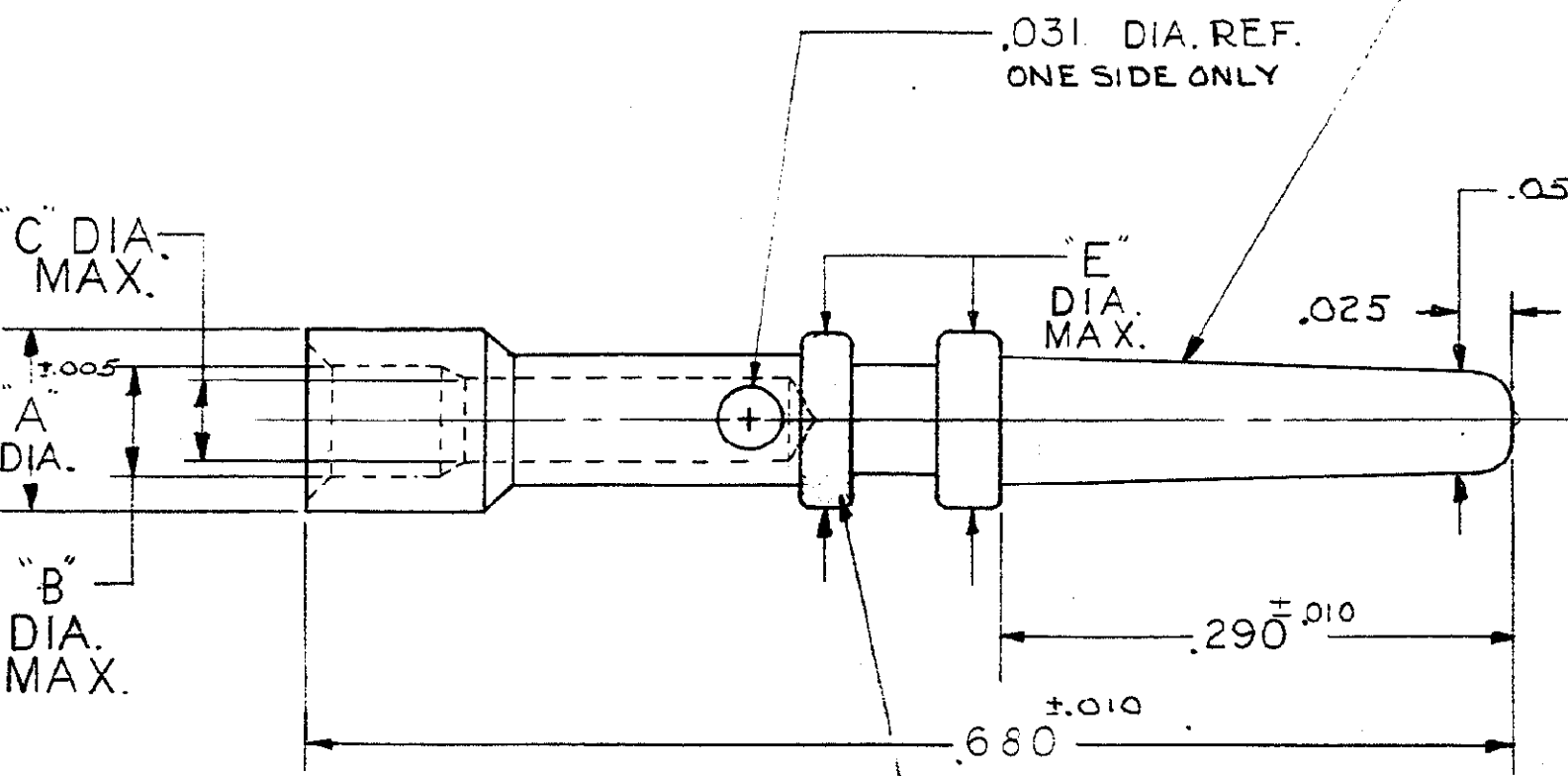
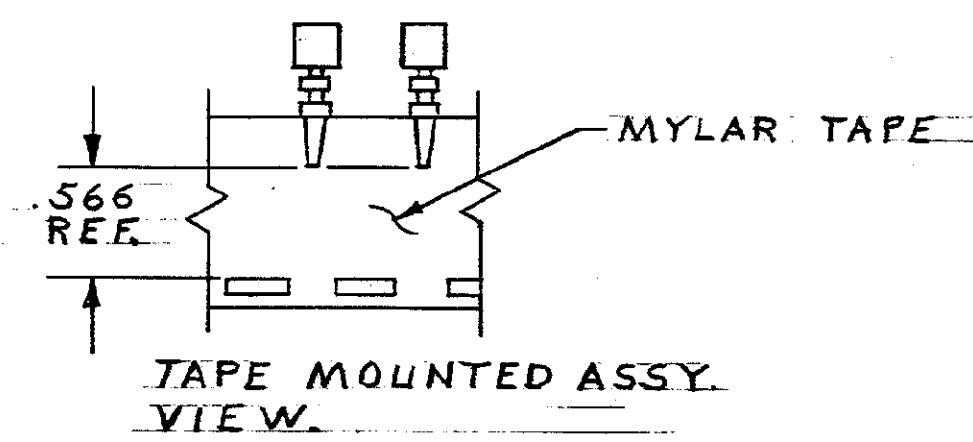


© 1963 BY AMP INCORPORATED. ALL RIGHTS RESERVED. AMP PRODUCTS COVERED BY PATENTS AND/OR PATENTS PENDING. APPROVED PER GOVT CONTRACT NO.

NUMBER 66205



COLOR CODE SEE TABLE



- ▲ BRIGHT TIN-LEAD .0001 THICK
- ▲ SILVER: .0002 THICK
- ▲ GOLD: .000030 GOLD OVER .000050 NICKEL
- ▲ OBSOLETE PART NUMBER.
- ▲ SUPSD & REDRAWN; SEE DWG 66208
- ▲ SUPSD & REDRAWN; SEE DWG 66211

| REVISIONS | | | | | |
|-----------|------|----------------------------------|-----------|----------|-----|
| SYM | ZONE | DESCRIPTION | DATE | APPROVAL | |
| A | # | REVISED U-625 | 2-3-4 | M.S. | |
| B | # | REVISED V-636 | 11-16-4 | M.S. | |
| B1 | | REVISED 2078 2055 | 4-1-63 | M.S. | |
| C | | LOC. S WAS AB, DIST. 12 WAS 39 | ECN 9347 | 11-8-72 | DS |
| D | | ADDED 66211-6 TAPE MOUNTED | ECN 7420 | 4-10-73 | GW |
| E | | BRIGHT TIN .0001 WAS TIN .0002 | EA 970 | 1-24-79 | SLA |
| F | | BRIGHT TIN-LEAD WAS BRIGHT TIN | EA 1818 | 6-18-81 | DS |
| G | | OBSOLETE 66205-3 | ECNS2626 | 3-14-84 | DS |
| H | | OBSOLETE VARIOUS AM'S | ECN S3379 | 11-29-86 | R.8 |
| J | | OBSOLETE 66210-3 | ECN S3733 | 4-14-87 | R.8 |
| K | | OBS 66208-2 PER ECN DF0357 | | 5-26-88 | CC |
| L | | OBS 66209-4, 66210-2 ECN DF-0521 | TW. | 9-26-88 | AP |
| M | | SUPSD 66208 & 66211 | CT | 1-17-89 | QA |

| TAPE NO. | PART NO. | A | B | C | E | FINISH | WIRE SIZE | INS. RANGE | COLOR CODE |
|----------|-----------|------|------|------|------|-----------------|-----------|------------|------------|
| | 66211-4/S | | | | | BRIGHT TIN-LEAD | | | BLUE |
| | 66211-3/S | .134 | .110 | .068 | .135 | SILVER | 18 TO 16 | .102 MAX. | |
| | 66211-2 | | | | | GOLD | | | |
| | 66210-4/S | | | | | BRIGHT TIN-LEAD | | .070 | |
| | 66210-3/S | .105 | .091 | .050 | .100 | SILVER | | .083 | |
| | 66210-2 | | | | | GOLD | | | |
| | 66209-4/S | | | | | BRIGHT TIN-LEAD | 24 TO 20 | .055 | YELLOW |
| | 66209-3/S | .105 | .082 | .050 | .100 | SILVER | | .070 | |
| | 66209-2 | | | | | GOLD | | | |
| | 66208-4/S | | | | | BRIGHT TIN-LEAD | | .040 | |
| | 66208-3/S | .105 | .068 | .050 | .100 | SILVER | | .058 | |
| | 66208-2 | | | | | GOLD | | | |
| | 66207-4/S | | | | | BRIGHT TIN-LEAD | | .060 | |
| | 66207-3/S | .105 | .086 | .036 | .100 | SILVER | | .078 | |
| | 66207-2 | | | | | GOLD | | | |
| | 66206-4/S | | | | | BRIGHT TIN-LEAD | 28 TO 24 | .045 | RED |
| | 66206-3/S | .105 | .070 | .036 | .100 | SILVER | | .062 | |
| | 66206-2 | | | | | GOLD | | | |
| | 66205-4/S | | | | | BRIGHT TIN-LEAD | | .031 | |
| | 66205-3/S | .105 | .056 | .036 | .100 | SILVER | | .048 | |
| | 66205-2 | | | | | GOLD | | | |

| AMP INFO | | QTY REQD | NOMENCLATURE OR DESCRIPTION | PART OR IDENTIFYING NO |
|---|-----------------|-------------|-----------------------------|------------------------|
| M 3 | LOC DF | | | |
| LIST OF MATERIALS OR PARTS LIST | | | | |
| UNLESS OTHERWISE SPECIFIED DIMENSIONS ARE IN INCHES TOLERANCES ON | | SIGNATURE | | DATE |
| FRACTIONS ± 1/64 | DECIMALS ± .015 | M. Smith | | 11-18-3 |
| ANGLES ± | | S. Kaufman | | 11-19-63 |
| MATERIAL | | M. Lora | | 11-20-63 |
| HEAT TREAT | | D. P. ... | | 11-21-63 |
| FINISH | | DESIGN APPD | | CODE IDENT NO |
| SEE TABLE | | | | 00779 |
| | | OTHER APPD | | SIZE |
| | | | | C |
| | | | | NUMBER |
| | | | | 66205 |
| | | | | SCALE 10-1 |
| | | | | WT |
| | | | | CALC |
| | | | | ACTUAL |
| | | | | SHEET 1 OF 1 |

CUSTOMER DRAWING