

AXL P FBPS BASE - Base module



2316393

<https://www.phoenixcontact.com/us/products/2316393>

Please be informed that the data shown in this PDF document is generated from our online catalog. Please find the complete data in the user documentation. Our general terms of use for downloads are valid.



Axioline P base for PROFIBUS PA power supply plugs. Provides Fieldbus power supply redundancy when two plugs are installed.

Product description

The AXL P FBPS BASE is a modular, single-channel, PROFIBUS PA power supply base with PROFIBUS PA trunk and power connectors.

Commercial data

Item number	2316393
Packing unit	1 pc
Sales key	DR06
Product key	DRIP53
Catalog page	Page 99 (C-6-2019)
GTIN	4055626368375
Weight per piece (including packing)	198.9 g
Weight per piece (excluding packing)	198.2 g
Customs tariff number	85366990
Country of origin	US

AXL P FBPS BASE - Base module

2316393

<https://www.phoenixcontact.com/us/products/2316393>

Technical data

Connection data

Supply

Conductor cross section, flexible	0.20 mm ² ... 1.50 mm ²
Conductor cross section, rigid	0.20 mm ² ... 1.50 mm ²
Conductor cross section AWG	24 ... 16

Interfaces

Data: AxioLine P local bus

Connection method	Bus base module
-------------------	-----------------

Data: PROFIBUS PA

Connection method	Push-in / plug connection
Number of bus devices	256
Termination resistor	100 Ω

Electrical properties

Maximum power dissipation for nominal condition	17.58 W
---	---------

Supply

Supply voltage range	18.5 V DC ... 30.5 V DC
Typical current consumption	750 mA ()
Max. current consumption	950 mA (18.5 V DC, 500 mA load)

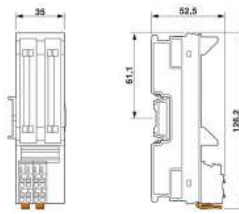
Product properties

Product type	Power supply
Product family	AxioLine P

Insulation characteristics

Overvoltage category	II
Degree of pollution	2

Dimensions

Dimensional drawing	
Width	35 mm
Height	130 mm
Depth	125 mm

AXL P FBPS BASE - Base module



2316393

<https://www.phoenixcontact.com/us/products/2316393>

Mounting

Mounting type	DIN rail mounting
---------------	-------------------

Material specifications

Color	gray
-------	------

Environmental and real-life conditions

Ambient conditions

Degree of protection	IP20
Ambient temperature (operation)	-40 °C ... 70 °C (Mounting position: wall mounting on horizontal DIN rail)
Ambient temperature (storage/transport)	-40 °C ... 85 °C
Altitude	2000 m (above sea level)
Permissible humidity (operation)	5 % ... 95 % (non-condensing)
Permissible humidity (storage/transport)	5 % ... 95 %
Shock	15g
Vibration (operation)	2g

Standards and regulations

Standards/regulations

Standards/regulations	Ring wave noise immunity in acc. with IEC 61000-4-12
-----------------------	--

PROFIBUS standardization

Standards/regulations	IEC 61158-2
-----------------------	-------------

Approvals

ATEX

Identification	⊕ II 3 G Ex ec IIC T4 Gc
Certificate	IBExU 18ATEXB018 X

IECEX

Identification	Ex ec IIC T4 Gc
Certificate	IECEX IBE 18.0023X

UKCA Ex (UKEX)

Identification	II 3G Ex ec IIC T4 Gc X
Certificate	PxCAI22UKEx2316390X

Ex data

UL, USA / Canada	Class I, Div. 2, Groups A, B, C, D T4 Class I, Zone 2, IIC T4
------------------	--

Notes

Utilization restriction

AXL P FBPS BASE - Base module

2316393

<https://www.phoenixcontact.com/us/products/2316393>



CCEx note

Use in potentially explosive areas is not permitted in China.

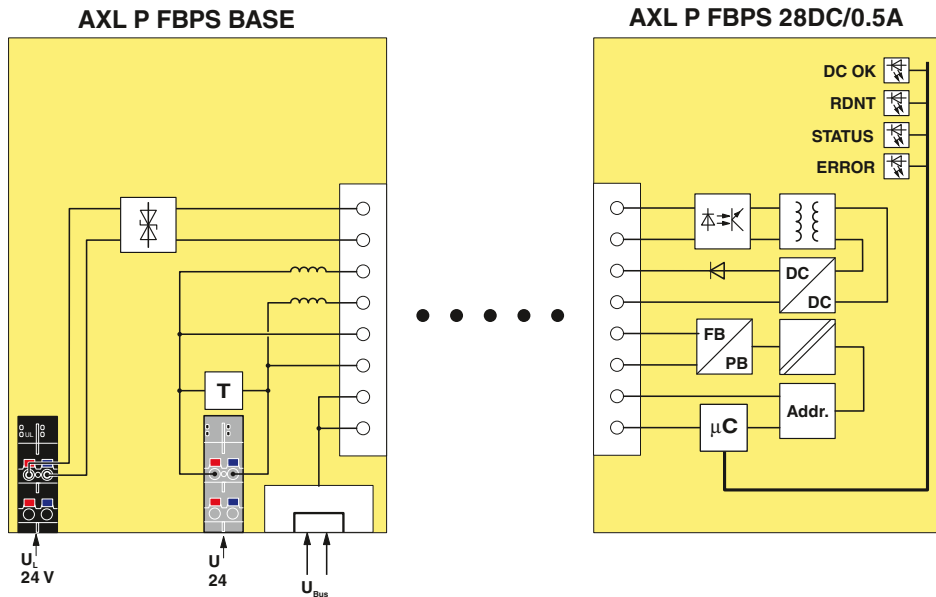
AXL P FBPS BASE - Base module

2316393

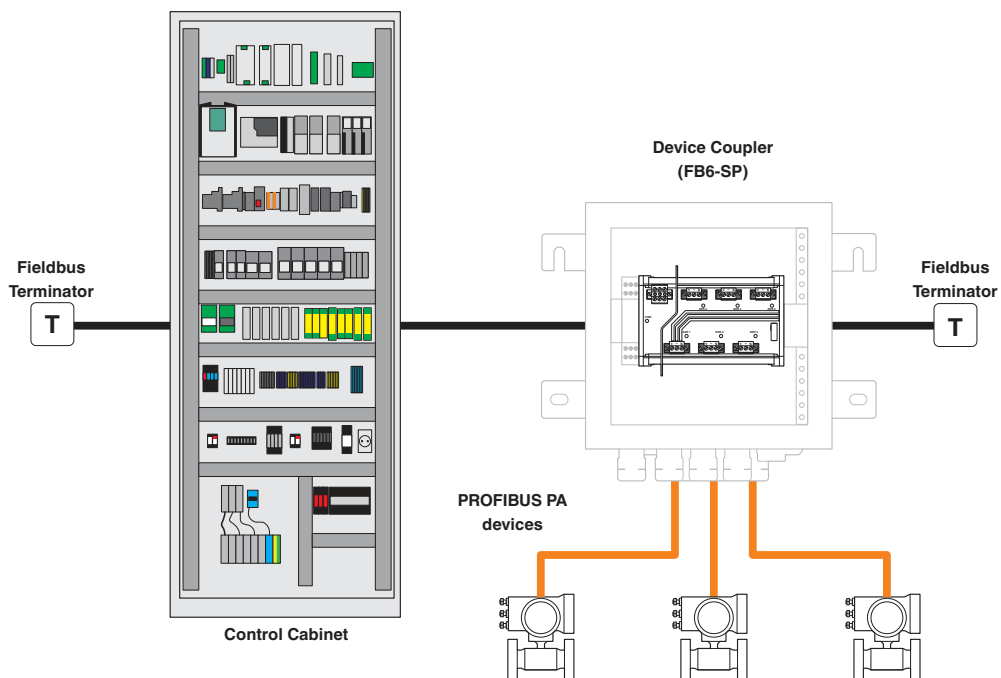
<https://www.phoenixcontact.com/us/products/2316393>

Drawings

Block diagram



Application drawing



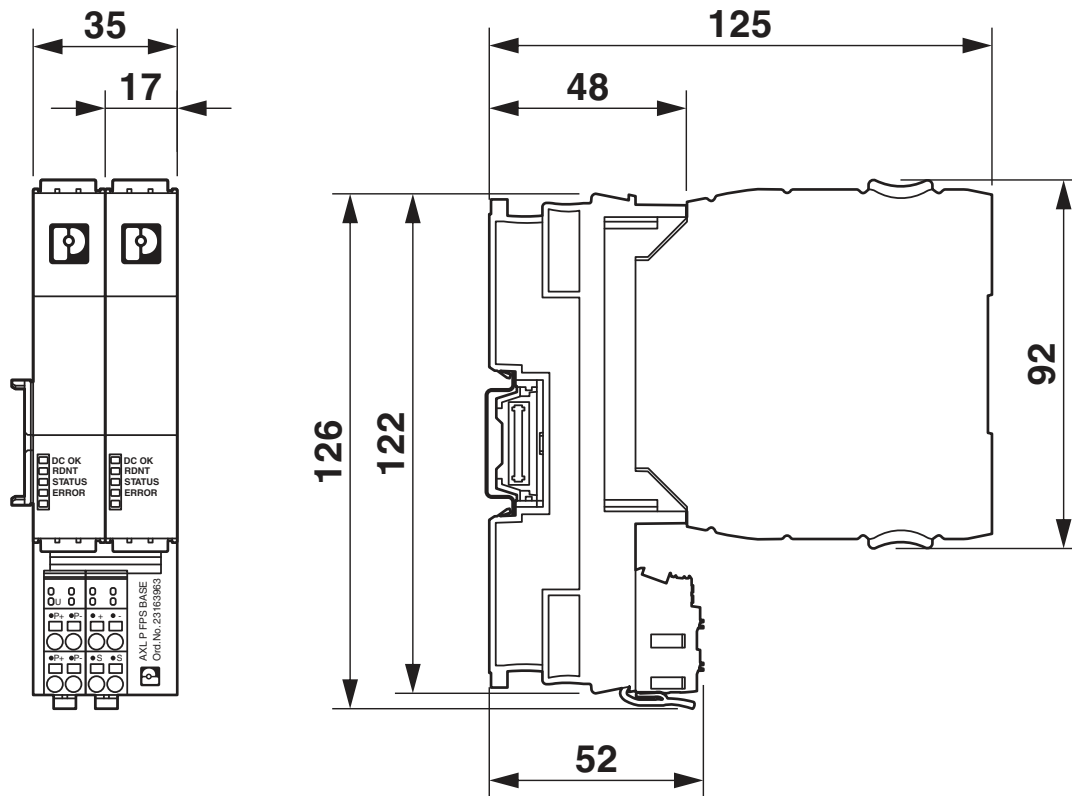
AXL P FBPS BASE - Base module



2316393

<https://www.phoenixcontact.com/us/products/2316393>

Dimensional drawing



Dimensions with power supply plugs installed in base

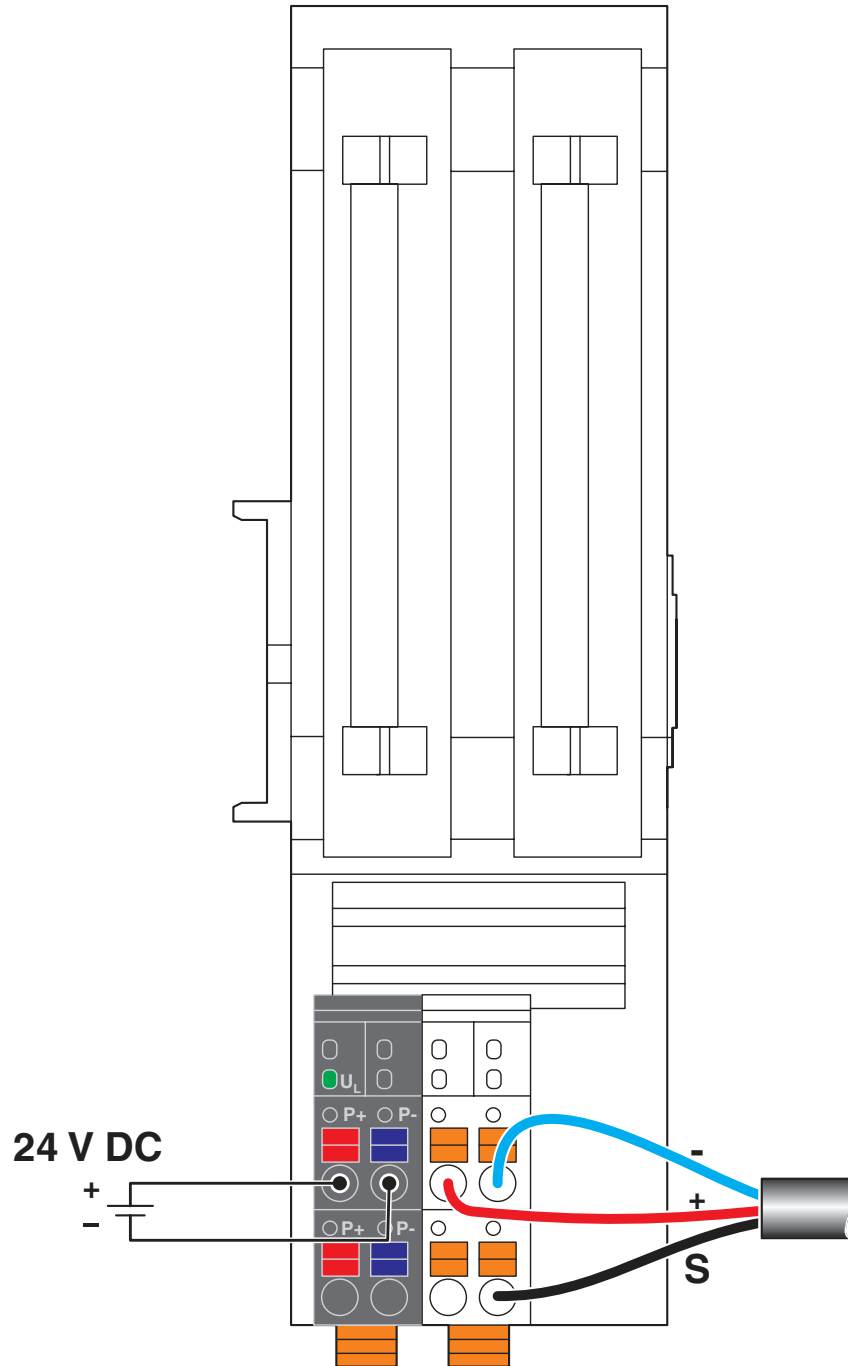
AXL P FBPS BASE - Base module

2316393

<https://www.phoenixcontact.com/us/products/2316393>



Connection diagram



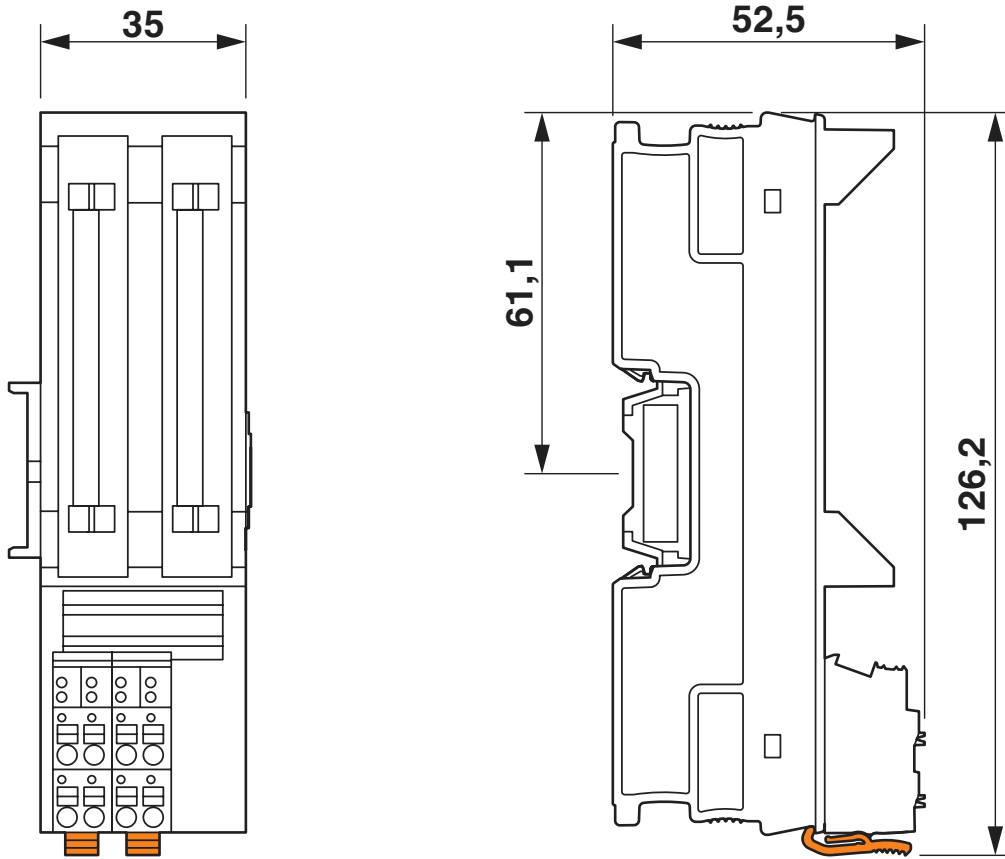
AXL P FBPS BASE - Base module

2316393

<https://www.phoenixcontact.com/us/products/2316393>



Dimensional drawing



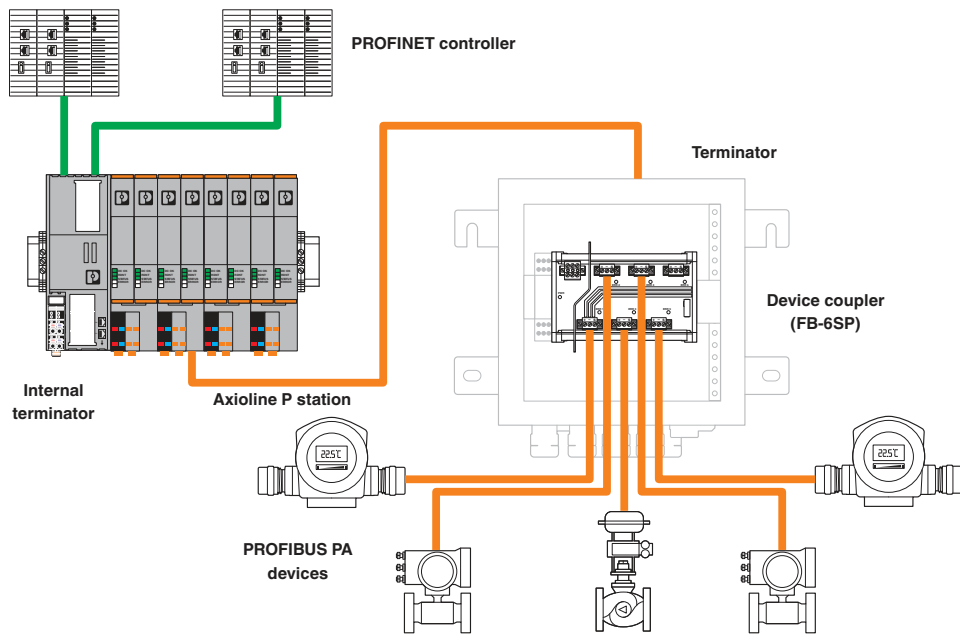
AXL P FBPS BASE - Base module

2316393

<https://www.phoenixcontact.com/us/products/2316393>



Application drawing



AXL P FBPS BASE - Base module



2316393

<https://www.phoenixcontact.com/us/products/2316393>

Approvals

To download certificates, visit the product detail page: <https://www.phoenixcontact.com/us/products/2316393>



EAC

Approval ID: RU C-DE.**08.B.00520



UL Listed

Approval ID: FILE E 238705



cUL Listed

Approval ID: FILE E 238705



IECEx

Approval ID: IECEx IBE 18.0023X



cUL Listed

Approval ID: FILE E 196811



UL Listed

Approval ID: FILE E 196811



ATEX

Approval ID: IBExU 18 ATEX B018 X

cULus Listed

cULus Listed

AXL P FBPS BASE - Base module



2316393

<https://www.phoenixcontact.com/us/products/2316393>

Classifications

ECLASS

ECLASS-11.0	27242610
ECLASS-12.0	27242610
ECLASS-13.0	27242610

ETIM

ETIM 8.0	EC001600
----------	----------

UNSPSC

UNSPSC 21.0	32151600
-------------	----------

AXL P FBPS BASE - Base module



2316393

<https://www.phoenixcontact.com/us/products/2316393>

Environmental product compliance

REACH SVHC	Lead 7439-92-1
China RoHS	Environmentally Friendly Use Period = 50 years
	For information on hazardous substances, refer to the manufacturer's declaration available under "Downloads"

AXL P FBPS BASE - Base module

2316393

<https://www.phoenixcontact.com/us/products/2316393>



Mandatory accessories

AXL P FBPS 28DC/0.5A - Power module

2316394

<https://www.phoenixcontact.com/us/products/2316394>



Axioline P redundant power supply plug for the PROFIBUS PA power supply base. Provides 500 mA @ 28 V DC to Fieldbus couplers along the trunk.

Accessories

AXL P BK PN AF - Bus coupler

2316390

<https://www.phoenixcontact.com/us/products/2316390>



Axioline P bus coupler for PROFINET. Connects to PROFIBUS PA power supplies and Axioline P I/O modules along the AXIOLINE P local bus. (includes power supply connector and bus base module)

AXL P FBPS BASE - Base module

2316393

<https://www.phoenixcontact.com/us/products/2316393>



AXL SHIELD SET - Shield connection

2700518

<https://www.phoenixcontact.com/us/products/2700518>

Axioline shield connection set (contains 2 shield bus holders and 2 SK 5 shield connection clamps)



AXL P TERM PAIR - Termination block

2316402

<https://www.phoenixcontact.com/us/products/2316402>

Axioline P terminator pair



AXL P FBPS BASE - Base module

2316393

<https://www.phoenixcontact.com/us/products/2316393>



AXL P BS 35 - Bus connector

2316396

<https://www.phoenixcontact.com/us/products/2316396>

Axioline P bus base module for housing type FBPS base



Phoenix Contact 2023 © - all rights reserved

<https://www.phoenixcontact.com>

Phoenix Contact USA
586 Fulling Mill Road
Middletown, PA 17057, United States
(+717) 944-1300
info@phoenixcon.com