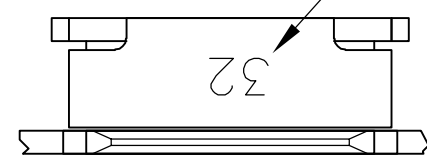


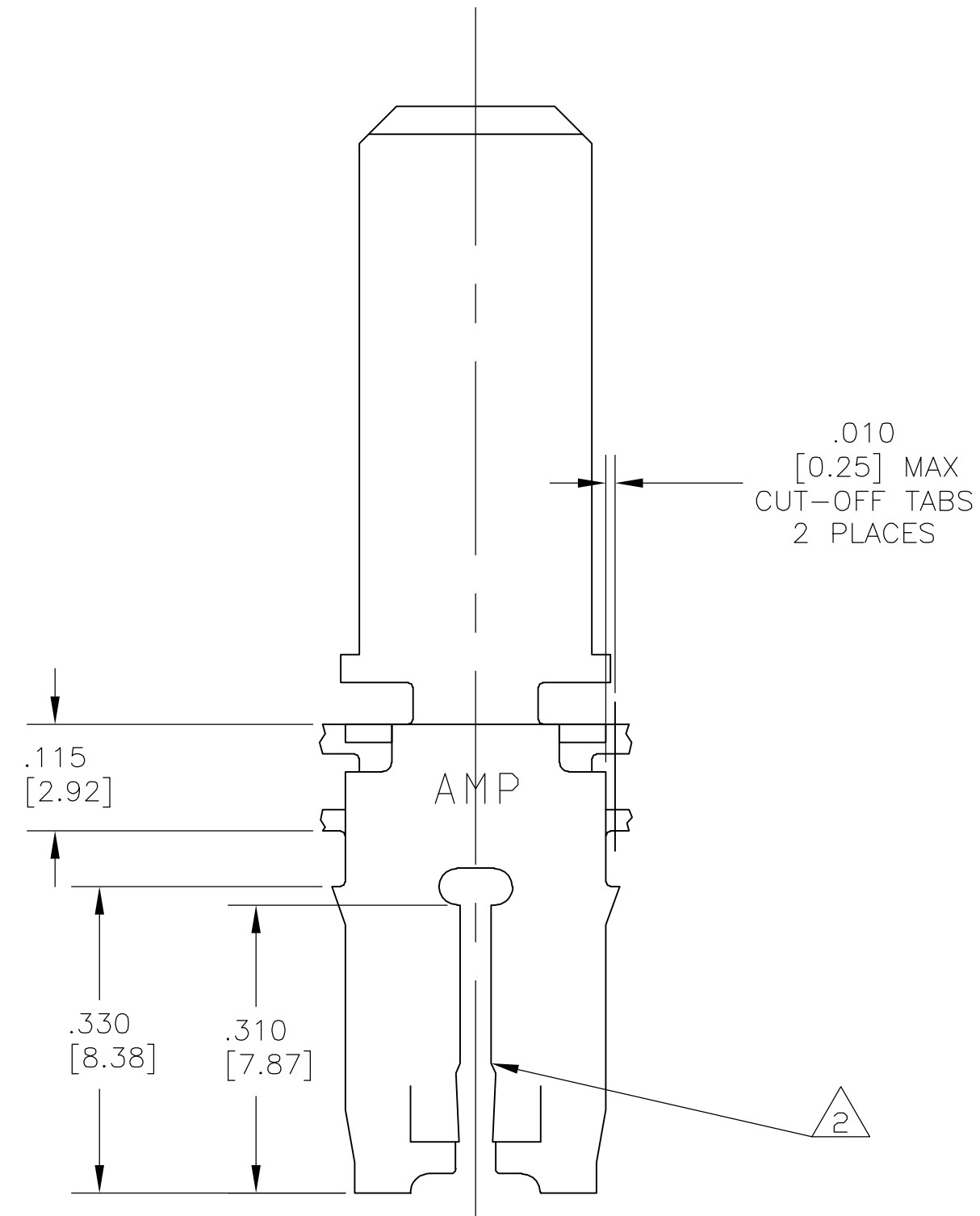
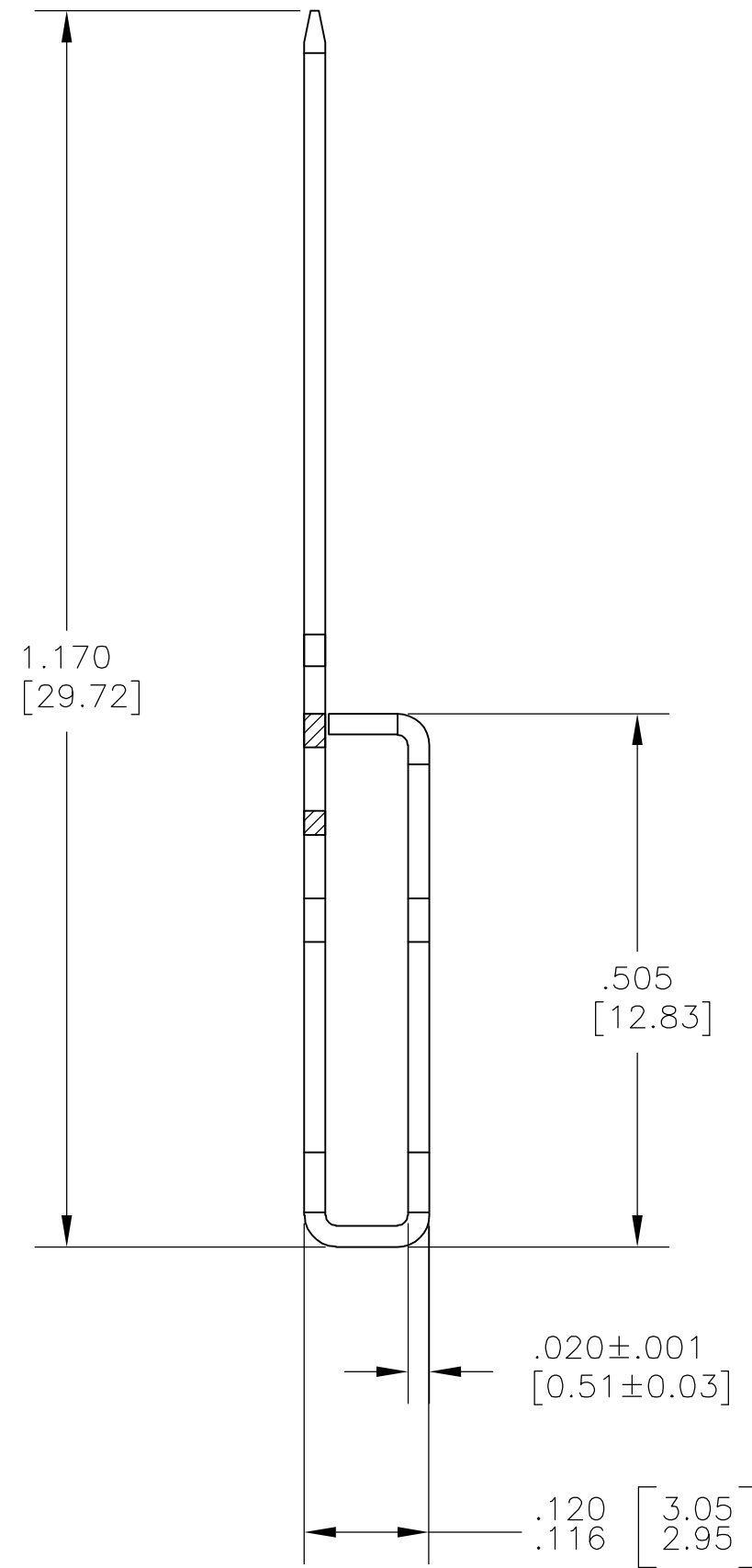
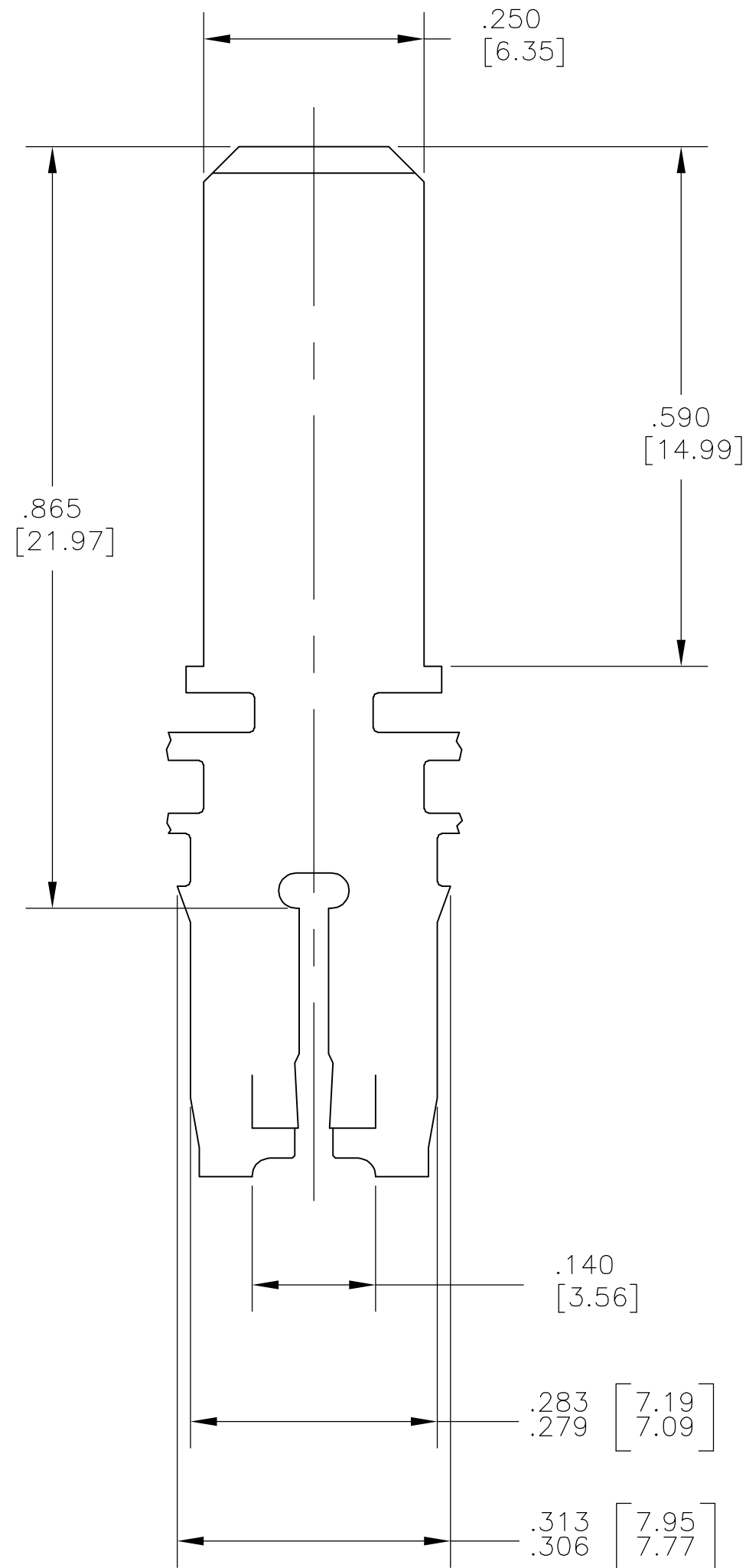
THIS DRAWING IS UNPUBLISHED. RELEASED FOR PUBLICATION
 © COPYRIGHT BY TYCO ELECTRONICS CORPORATION. ALL RIGHTS RESERVED.

LOC		DIST		REVISIONS			
P	LTR	DESCRIPTION		DATE	DWN	APVD	
AF	50	A1	REVISED PER ECR-05-011260		14OCT05	MF	GJ

IDENTIFICATION NUMBER 32 FOR MAGNET WIRE RANGE



- 1 CONTINUOUS STRIP ON REELS WITH TERMINALS LOCATED ON 8.38±0.08 [.330±.003] CENTERS.
- 2 SLOT TERMINATES A SINGLE MAGNET WIRE ONLY. COPPER RANGE: 1.09-1.29mm [#17.5-#16] AWG.



1742320-1
PART NUMBER

THIS DRAWING IS A CONTROLLED DOCUMENT.		DWN MICHAEL S. FEHER 14JUL2005	Tyco Electronics Corporation Harrisburg, PA 17105-3608	
DIMENSIONS: INCHES		CHK GENE JACONO 15JUL2005		
TOLERANCES UNLESS OTHERWISE SPECIFIED:		APVD GENE JACONO 15JUL2005	NAME TAB, .250 [6.35] SERIES, 500 SERIES MAG-MATE	
0 PLC ± -		PRODUCT SPEC 108-2053	SIZE A2	CAGE CODE 00779
1 PLC ± -		APPLICATION SPEC 114-2066	DRAWING NO C=1742320	
2 PLC ± .010 [0.25]		WEIGHT -	RESTRICTED TO -	
3 PLC ± .005 [0.13]		CUSTOMER DRAWING		
4 PLC ± -		SCALE 6:1 SHEET 1 of 1 REV A1		
ANGLES ± -				
FINISH .000080 [0.002032] MIN TIN PLATE				