

VS-08-BU-RJ45/KA/LSA

This product has been replaced by a newer version.

Order No.: 1689459




<http://eshop.phoenixcontact.de/phoenix/treeViewClick.do?UID=1689459>

RJ45 socket insert, modular (Keystone), CAT5e, 8-pos., shielded, with cable connection (LSA), for solid wires AWG 26 ... 22

Ethernet



Commercial data

GTIN (EAN)	 4 017918 893804
Note	Made-to-order
sales group	D511
Pack	5 pcs.
Customs tariff	85366990
Catalog page information	Page 193 (PC-2009)

Product notes

WEEE/RoHS-compliant since:
05/04/2006



<http://www.download.phoenixcontact.com>
Please note that the data given here has been taken from the online catalog. For comprehensive information and data, please refer to the user documentation. The General Terms and Conditions of Use apply to Internet downloads.

Technical data

Mechanical characteristics

Number of positions	8
Number of slots	1
Shielded	Yes
Insertion/withdrawal cycles	≥ 750

Type of connection	LSA
Conductor cross-section	0.13 mm ² ... 0.32 mm ² (solid)
Connection cross-section AWG	26 ... 22 (solid)
Ambient temperature (operation)	-40 °C ... 70 °C

Material data

Inflammability class acc. to UL 94	V0
Contact material	Copper alloy
Contact surface material	Gold over nickel
Degree of protection	IP20

Electrical characteristics

Number of positions	8
Transmission characteristics (category)	CAT5 (IEC 11801:2002), CAT5e (TIA 568B:2001)
Rated current	1.5 A
Surge voltage category	II
Pollution degree	2

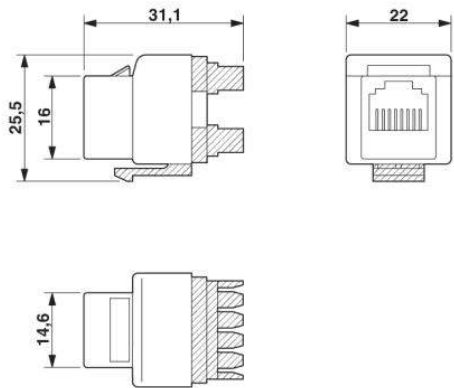
Accessories

Item	Designation	Description
General		
2765505	CT-WZ/A	Split-core tool for connecting cables to LSA-Plus strips
1689433	VS-08-A-RJ45/MOD-1-IP20	RJ45 panel mounting frame, 1x, IP20, for modular socket inserts (Keystone), without mounting screws
1689080	VS-08-A-RJ45/MOD-1-IP67	RJ45 panel mounting frame, IP67, for modular socket inserts (Keystone), for square panel cutout, with grommet, without mounting screws, color: gray
1658642	VS-08-A-RJ45/MOD-1-IP67-BK	RJ45 panel mounting frame, IP67, for modular socket inserts (Keystone), for square panel cutout, with grommet, without mounting screws, color: black
1689844	VS-08-A-RJ45/MOD-1-R-IP67	RJ45 panel mounting frame, IP67, for modular socket inserts (Keystone), for round panel cutout, with grommet, with thread and union nut, color: gray
1658053	VS-08-A-RJ45/MOD-1-R-IP67 BK	RJ45 panel mounting frame, IP67, for modular socket inserts (Keystone), for round panel cutout, with grommet, with thread and union nut, color: black
1652868	VS-08-A-S-RJ45/MOD-1-IP67	RJ45 panel mounting frame, IP67, irradiated for welding applications, for modular socket inserts (Keystone), for square panel cutout, with grommet, without mounting screws

1654772	VS-08-A-S-RJ45/MOD-1-R-IP67	RJ45 panel mounting frame, IP67, irradiated for welding applications, for modular socket inserts (Keystone), for round panel cutout, with grommet, with thread and union nut
---------	-----------------------------	------------------------------------------------------------------------------------------------------------------------------------------------------------------------------

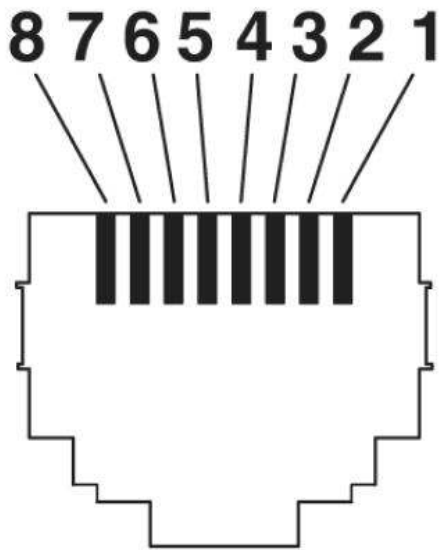
Diagrams/Drawings

Dimensioned drawing



RJ45 socket insert, keystone

Schematic diagram



Address

PHOENIX CONTACT Deutschland GmbH
Flachmarktstr. 8
32825 Blomberg, Germany
Phone +49 5235 3 12000
Fax +49 5235 3 41200
<http://www.phoenixcontact.de>



© 2011 Phoenix Contact
Technical modifications reserved;