

SmartZone™ G5 Security Handle with Reader and Optional Key Pad for Dual Authentication

specifications

Panduit® SmartZone™ G5 Security Handle is specially designed to meet the most rigorous of security challenges (both digital and physical) in today's data center environment. There is a version with an integrated keypad which enables dual authentication by allowing for a card swipe followed by secret pin. We've paid close attention to the market ensuring that not only does it carry the respective regulations required within this environment but it also is GDPR ready, HIPAA ready and PCI-DSS Ready to ensure that this design meets your cabinet security needs not only today but for many years to come.

The G5 Security Handle seamlessly mates with most data center cabinets and has the capability to read both low frequency (125 kHz) and high frequency (13.5 MHz) cards. In addition it can support 200 authorized users and features an integral humidity sensor allowing humidity sensing to be optimally placed near the center of the cabinet. The Status LED provides visual indication of the handle and security status. The Beacon LED is a visual indicator to give you status of the health of the cabinet at a glance. The beacon will flash yellow when the cabinet is in a minor alarm or flash red when the cabinet has a critical alarm. You can also use the beacon's locate function to flash the beacon a certain color to easily locate the cabinet.



technical information

Dimensions: 9.5" x 1.5" (241 mm x 37 mm)

key features and benefits

Door access and control monitoring	Controls access to a rack or cabinet in a data center and provides physical status of a door
Optional combined card reader and keypad	Integrated keypad enables dual authentication
Cabinet compatibility	Seamlessly integrates into Panduit cabinets
Integrated sensors	SmartZone™ G5 Security Handle features an integrated humidity sensor as well as specially designed environmental and door sensors which connect to the SmartZone™ G5 Security Handle
SmartZone™ Software Suite Integration	Captures data that is consolidated by connected SmartZone™ G5 iPDU then utilized by SmartZone™ Software for real-time monitoring management and automated documentation
Beacon LED	Provides the health of the cabinet at a glance. Will flash yellow when for minor alarm or flash red for critical alarm. Also features a locate function to manually flash the beacon to easily locate the cabinet
Status LED	Provides visual indication for authentication, lock state, key usage or handle state
200 Users	Provide card access for up to 200 users
Multi-Frequency Card Reader	Reads both low frequency (125 kHz) and high frequency (13.56 MHz) cards
On board Keypad (ACF06)	Enables dual authentication for high security environments

applications

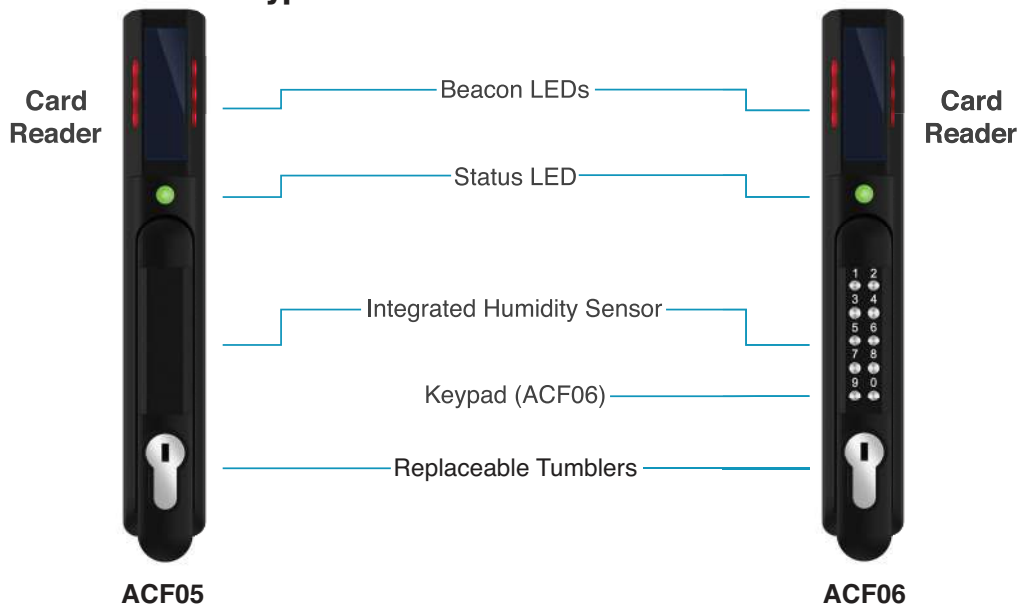
The SmartZone™ G5 Security Handle with built-in Prox Card Reader enables effective door access and control. These handles and optional keypad are designed for indoor mounting to a cabinet in a data center.

The SmartZone™ G5 Security Handle connects directly to Panduit G5 iPDU and transmits real-time information enabling control and management of cabinet access either directly through the on-board web interface or via SmartZone™ Cloud Software.

technical specification

Parameters	With Card Reader
Degree of protection	IP55
Electrical connection to the G5 PDU	Harness part number ACF20. JST to RJ45 plug. Harness part number MA030 is RJ45 jack to RJ45 plug. MA030 is designed to mate into the New Zealand bulkhead.
Operating voltage	5V ±0.5V DC
Operating current	Less than 850 mA at 5V DC
Maximum stall current	1.15 A
Card compatibility	MIFARE Classic 1k and 4k 13.56 MHz MIFARE Plus 2k 13.56 MHz MIFARE DESFire 4k 13.56 MHz HID iClass 13.56 MHz HID 125 kHz Prox EM 125 kHz Prox
Operating temperature	32°F to 149°F (0°C to 65°C)
Humidity operating range	10% to 90% RH, non-condensing
Elevation operating range (altitude)	0 — 3,000 meters
Card proximity distance	0 — 0.8 inches (0 — 2cm)

swinghandle with or without keypad



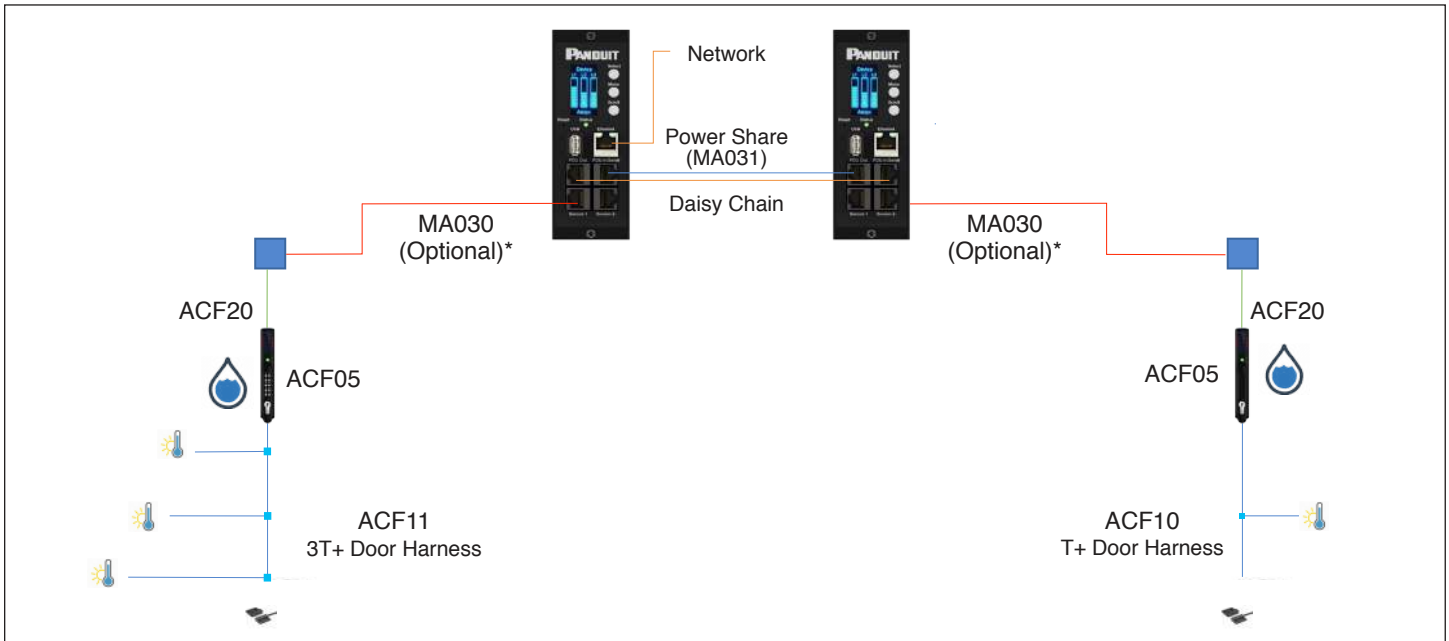
Beacon LED Function	State	Color	Purpose
Locate	Blinking	Blue, Green, Yellow, Red, White, Magenta	Identifies rack location via user command. (customizable)
Critical Alarm	Blinking	Red	Any critical alarm in the system. (not customizable)
Warning Alarm	Blinking	Yellow	Any warning alarm in the system. (not customizable)
Normal State	Solid	Blue, Green, Yellow, Red, White, Magenta	Visual indicator on the handle. (customizable)

*Beacon LED Default is On Solid Green

Status LED Color	Description
Standby — Solid (or off)	Customer selectable color in standby state. (customizable)
Red — Blinking	Blinks three times signaling authentication error. (not customizable)
Green — Blinking	Lock open. (not customizable)
Magenta — Blinking	Key used to unlock, OR mechanical handle lifted away from base. (not customizable)
Yellow — Blinking	Handle open past Door Open Time. (not customizable)
Red — Solid	Lock open for longer than Autolock Time. (look for obstruction — not customizable)
Red — Solid	Door open for longer than Door Open Time. (door sensor — not customizable)

*Status LED Default is On Solid Green

Connection Diagram: SmartZone™ G5 PDUs, SmartZone™ G5 Security Handle and Environmental Monitoring Sensors



*The MA030 features a coupler to optimize door removal and is 10 ft. (3m) in length.

handles, environmental sensors and harnesses

Item Number	Description
ACF05	SmartZone™ Security Handle with Dual Frequency (125 kHz and 13.56 MHz) Card Reader and integral humidity sensor. All handles feature the base tumbler (TU020X) pre-installed at the factory.
ACF06	SmartZone™ Security Handle with Dual Frequency (125 kHz and 13.56 MHz) Card Reader, integral humidity sensor, and keypad for dual authentication. All handles feature the base tumbler (TU020X) pre-installed at the factory.
ACF10	SmartZone™ Security Handle Temperature and Door Sensor. Connects to handle.
ACF11	SmartZone™ Security Handle (3) Temperature and Door Sensor. Connects to handle.
ACF20	SmartZone™ Security Handle to Panduit G5 iPDU Harness (JST to RJ45 Male).
MA030	SmartZone™ Security Handle Patch Cord Extension (RJ45 Female to RJ45 Male).
MA031	Panduit G5 iPDU Power Share Patch Cord (RJ45 Male to RJ45 Male).
CRD-02-10PK	SmartZone™ Security Handle HID Cards 125 kHz (10 Pack).
CRD-03-10PK	SmartZone™ Security Handle HID Cards 13.56 MHz (10 Pack).

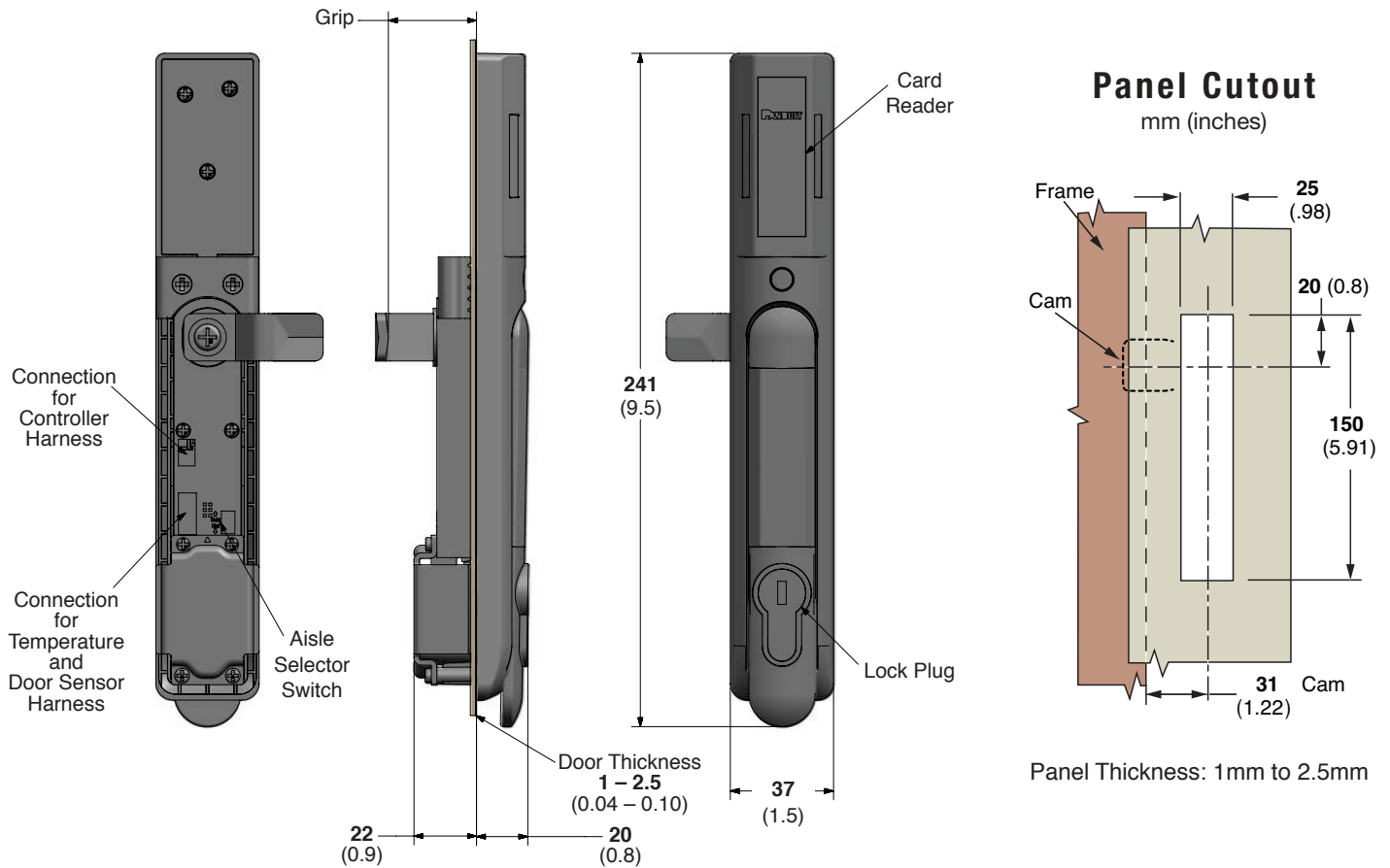
For installation instructions please see SmartZone™ G5 Security Handle installation guide.

replaceable tumblers and keys

Item Number	Lock Tumblers for SmartZone™ G5 Security Handles (10 Packs)	Item Number	Keys for Lock Tumblers (10 Packs)
TU020X	Base Tumbler for Key KE020X, for ACF05, ACF06	KE020X	Base Key for Tumbler TU020X
TU021X	Option 1 Tumbler for Key KE021X, for ACF05, ACF06	KE021X	Option 1 Key for Tumbler TU021X
TU022X	Option 2 Tumbler for Key KE022X, for ACF05, ACF06	KE022X	Option 2 Key for Tumbler TU022X
TU023X	Option 3 Tumbler for Key KE023X, for ACF05, ACF06	KE023X	Option 3 Key for Tumbler TU023X
TU024X	Option 4 Tumbler for Key KE024X, for ACF05, ACF06	KE024X	Option 4 Key for Tumbler TU024X
TU025X	Option 5 Tumbler for Key KE025X, for ACF05, ACF06	KE025X	Option 5 Key for Tumbler TU025X

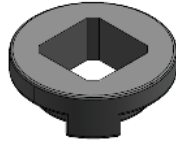
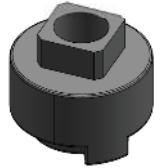
*For increased security optional tumblers are available. 60 Day Lead time on Tumblers/Keys with a MOQ of 500 pcs. (50 of the 10 packs).

SmartZone™ G5 Security Handle



Rotation limiters set the rotation direction of the latch. To flip the actuation direction, remove and reinstall the rotation limiter 90 degrees offset from original orientation.

Two rotation limiters are provided with each handle. The pre-installed one is for standard applications, an extended version can be used when additional clearance is required.

Grip	Rotation Limiter	
17.5 (0.69)	Pre-installed	
20.3 (0.80)	Extended	

Dimensions are in inches. (Dimensions in parenthesis are metric).

WORLDWIDE SUBSIDIARIES AND SALES OFFICES

PANDUIT US/CANADA
Phone: 800.777.3300

PANDUIT EUROPE LTD.
London, UK
Phone: 44.20.8601.7200

PANDUIT SINGAPORE PTE. LTD.
Republic of Singapore
Phone: 65.6305.7575

PANDUIT JAPAN
Tokyo, Japan
Phone: 81.3.6863.6000

PANDUIT LATIN AMERICA
Guadalajara, Mexico
Phone: 52.33.3777.6000

PANDUIT AUSTRALIA PTY. LTD.
Victoria, Australia
Phone: 61.3.9794.9020

For a copy of Panduit product warranties, log on to www.panduit.com/warranty



For more information
Visit us at www.panduit.com
Contact Customer Service by email: cs@panduit.com
or by phone: 800.777.3300

©2021 Panduit Corp.
ALL RIGHTS RESERVED.
PUSP81--WW-ENG
1/2021