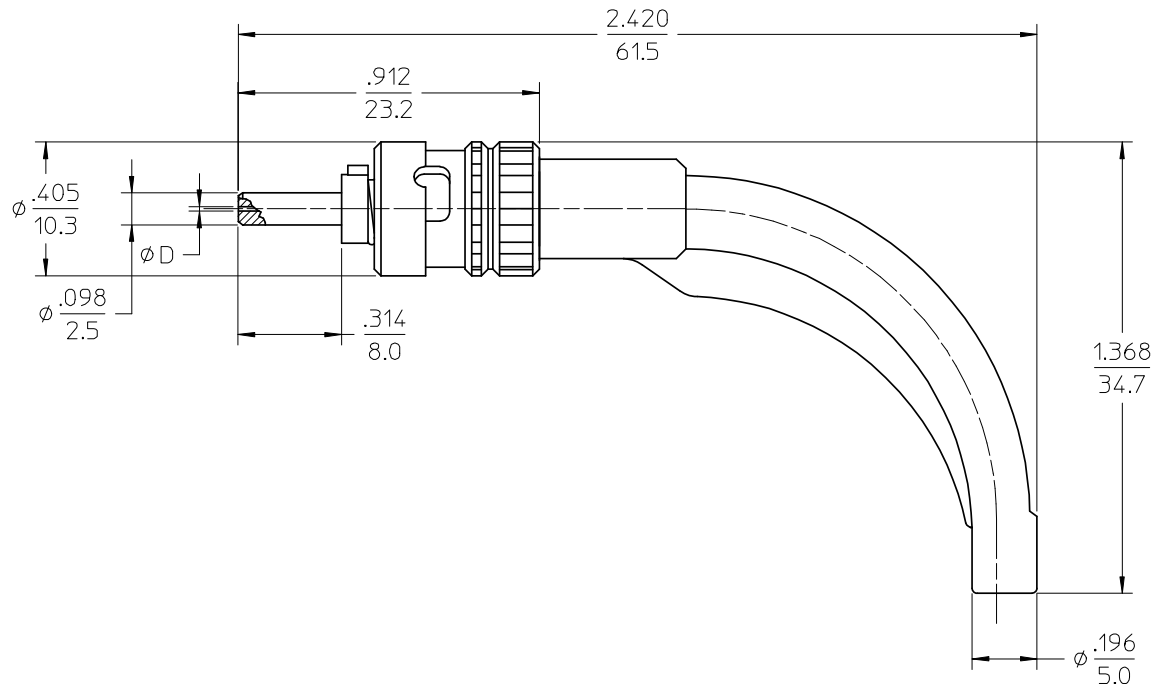


P/N	D (μm)	FERRULE MATERIAL	CABLE DIAMETER	BOOT COLOR	CABLE TYPE
106010-0400	127	Zr PLUS	3 mm	BLACK	MULTIMODE
106010-0440				RED	
106010-2400	125.5	Zr		BLACK	SINGLE MODE
106010-2440				RED	
106010-3400	128			BLACK	MULTIMODE
106010-3440				RED	
106010-5400	126	Zr		BLACK	SINGLE MODE
106010-5440				RED	
106010-7400	127	Zr	BLACK		
106010-7440			RED		



ENTER DESCRIPTION EC NO: MF2008-0531 DRWN: IGUMIN CHKD: IGUMIN APPR: IGUMIN	QUALITY SYMBOLS ▽=0 ▽=0	GENERAL TOLERANCES (UNLESS SPECIFIED)		DIMENSION STYLE IN/MM	SCALE 4:1	DESIGN UNITS INCH	THIRD ANGLE PROJECTION
		4 PLACES ±--- ±---	DRAWN BY PGIBLIN	DATE 2005/10/13	TITLE ST CONNECTOR (PLASTIC NUT, 90D BOOT)		
		3 PLACES ±--- ±---	CHECKED BY	DATE	APPROVED BY IGUMIN		
		2 PLACES ±--- ±---	MATERIAL NO. SEE TABLE		DOCUMENT NO. SD-106010-XXX0		
1 PLACE ±--- ±---	ANGULAR ±1/2°		DATE 2005/10/13		MOLEX INCORPORATED		
DRAFT WHERE APPLICABLE MUST REMAIN WITHIN DIMENSIONS		SIZE B		THIS DRAWING CONTAINS INFORMATION THAT IS PROPRIETARY TO MOLEX INCORPORATED AND SHOULD NOT BE USED WITHOUT WRITTEN PERMISSION			
A1	REV	SHEET NO. 1 OF 1		SHEET NO. 1 OF 1			