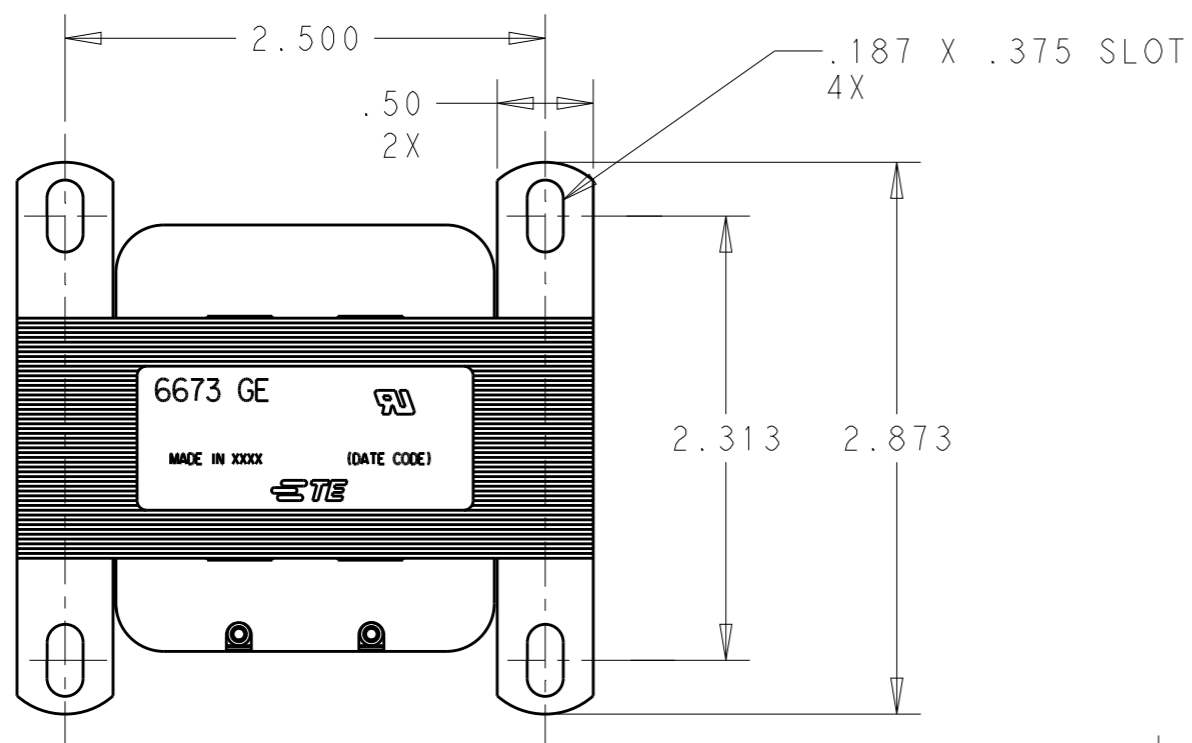
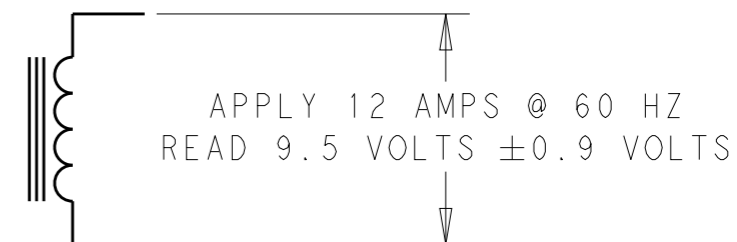


REVISIONS

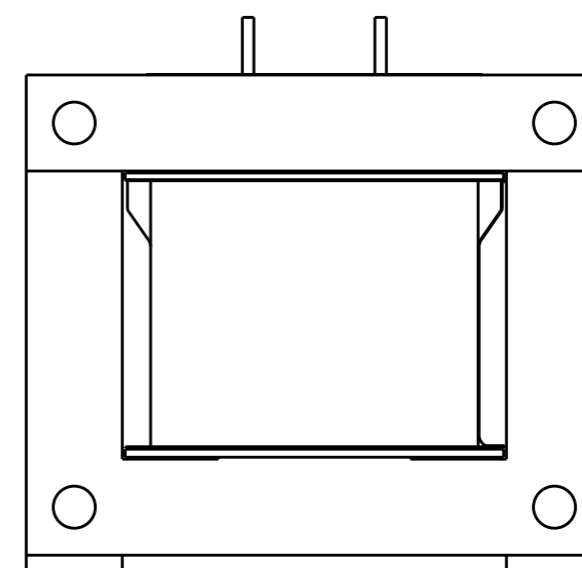
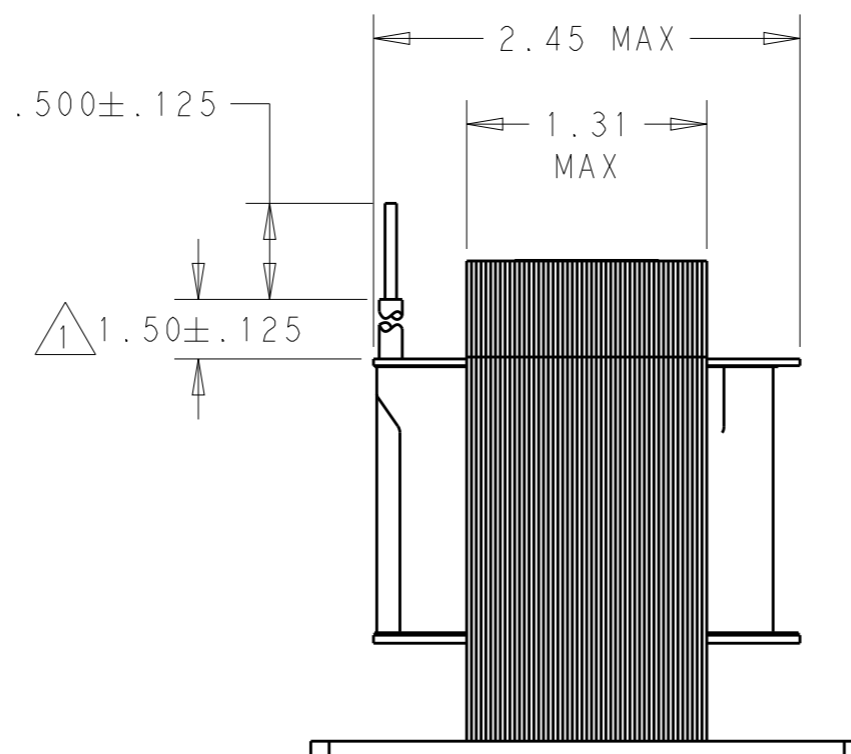
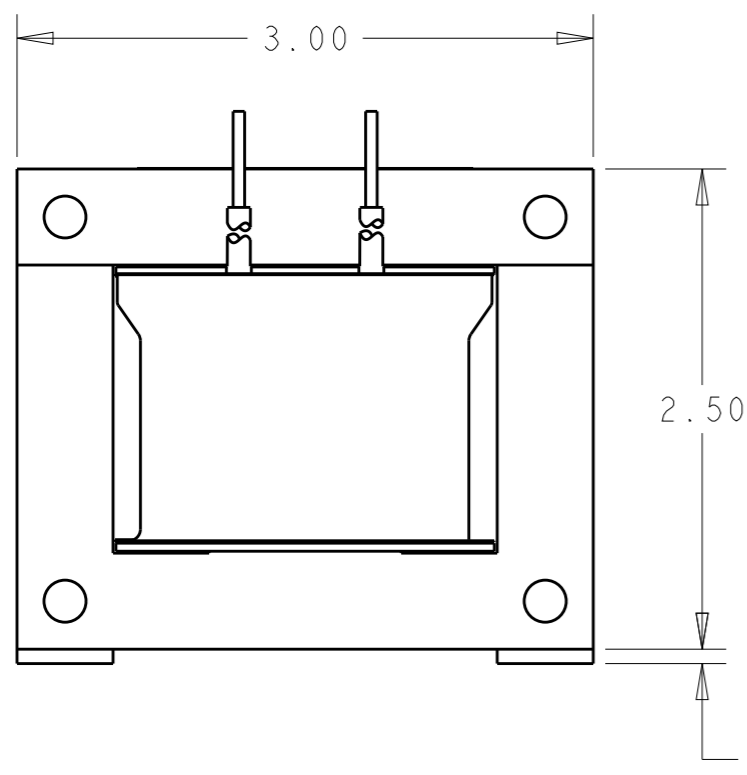
P	LTR	DESCRIPTION	DATE	DWN	APVD
E		ECR-17-011882	17AUG2017	VS	DB



- 1 SLEEVING PVC HT-105, BLACK OR CLEAR.
- 2. CERTIFICATION: UL FILE NO. E102980



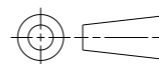
SCHEMATIC



2-1611476-5
TE PART NO.

THIS DRAWING IS A CONTROLLED DOCUMENT.

DIMENSIONS:
INCHES



TOLERANCES UNLESS OTHERWISE SPECIFIED:

- 0 PLC ±-
- 1 PLC ±.1
- 2 PLC ±.03
- 3 PLC ±.015
- 4 PLC ANGLES ±-

MATERIAL -

FINISH -

DWN 06DEC2013

CHK VIC SLACK

APVD D. BLOESCH 06DEC2013

APVD D. BLOESCH 06DEC2013

PRODUCT SPEC -

APPLICATION SPEC -

WEIGHT -

Customer Drawing

STE TE Connectivity

NAME
TRANSFORMER OUTLINE

SIZE	CAGE CODE	DRAWING NO	RESTRICTED TO
A3	00779	C-6673GE	-

SCALE 1:1 SHEET 1 OF 1 REV E