



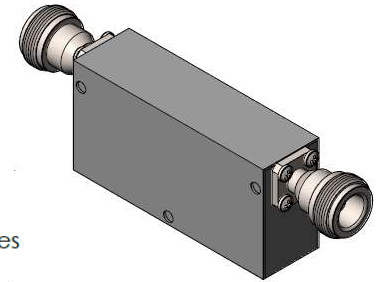
## Part Number: D4I0810N

### Electrical Specifications

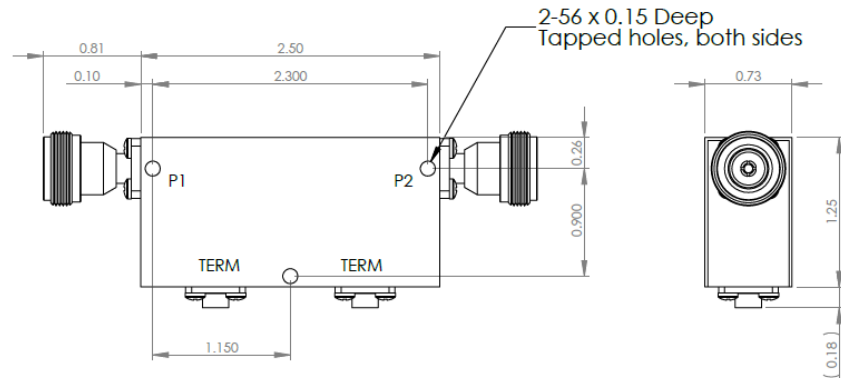
|                        |                   |
|------------------------|-------------------|
| Frequency Range (GHz): | 0.8 – 1.0         |
| Isolation (dB):        | 40 MIN            |
| Insertion Loss (dB):   | 0.8 MAX           |
| VSWR:                  | 1.25:1 MIN        |
| Forward Power (W):     | 200 AVG<br>750 PK |
| Reflective Power (W):  | 10 AVG            |

### Mechanical/Environmental Specifications

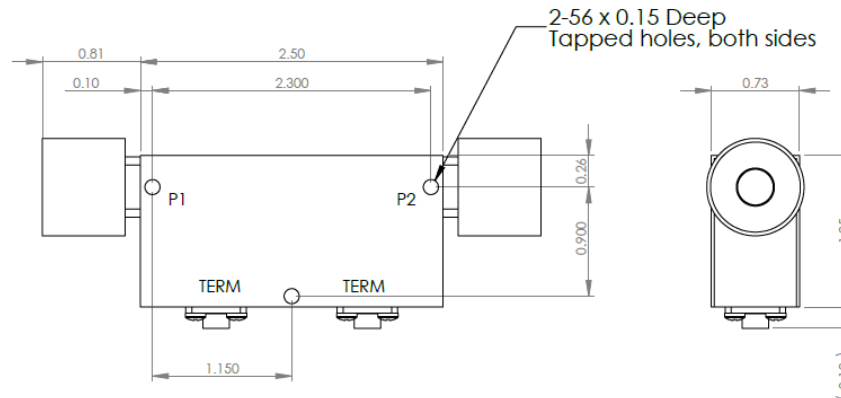
|                   |                     |
|-------------------|---------------------|
| Connector Type:   | Type-N              |
| Connector Body:   | Nickel plated brass |
| Connector Pin:    | Gold plated copper  |
| Load Body:        | Brass               |
| Magnetic Shunt:   | Nickel plated CRS   |
| Operational Temp: | -20°C to +65°C      |
| Weight (oz)       | 5.5 MAX             |



### D4I0810N Dimensions



### D4I0810N-3 Dimensions



Dimensions are in inches  
Tolerance

XX ±0.03  
XXX ±0.010

| Type of Device  | PN Suffix | Connector Configuration<br>Input / Output | PN Example |
|---|-----------|---|------------|
| Single and Dual Junction<br>Isolator, 2-Port Device<br>Input / Output | N/A       | Female / Female                           | D4I0810N   |
|   | -1        | Male / Female                             | D4I0810N-1 |
|   | -2        | Female / Male                             | D4I0810N-2 |
|   | -3        | Male / Male                               | D4I0810N-3 |



# MEASURED DATA

Part Number: D4I0810N, +25°C

