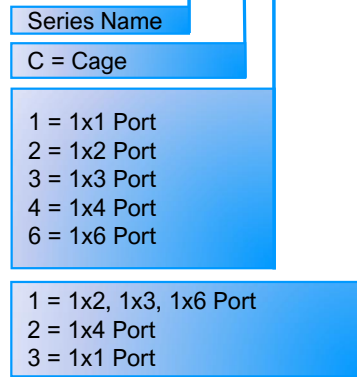




**PART NUMBER FOR CAGE:**  
**CN174C-X001-0X**



**MATERIALS AND FINISH:**

- EMI fingers: Stainless Steel
- Cage: Stainless Steel
- Partition: Stainless Steel

**QSFP-DD MSA COMPLIANT**

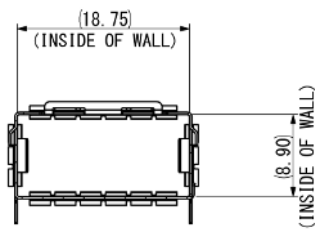
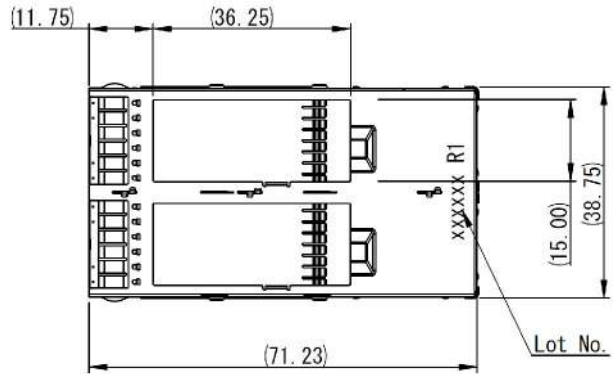
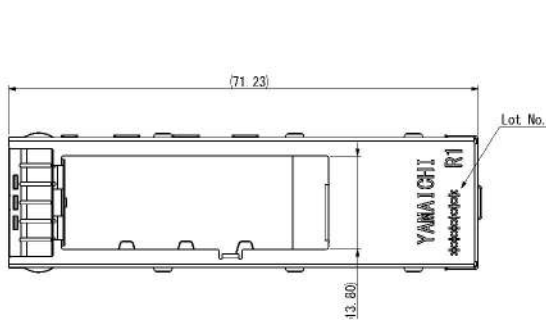
**SPECIFICATIONS:**

- Operating Temp.: +65°C MAX
- Insertion Force: 90 N MAX
- Extraction Force: 50 N MAX

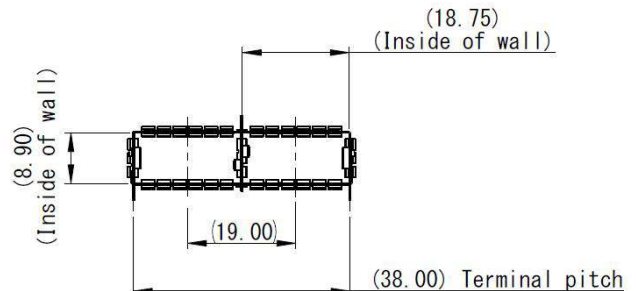
**FEATURES:**

- QSFP-DD MSA Design Guideline Compliant
- Supports Belly-to-Belly Mount
- Offers multiple port configurations
- RoHS and REACH Compliant

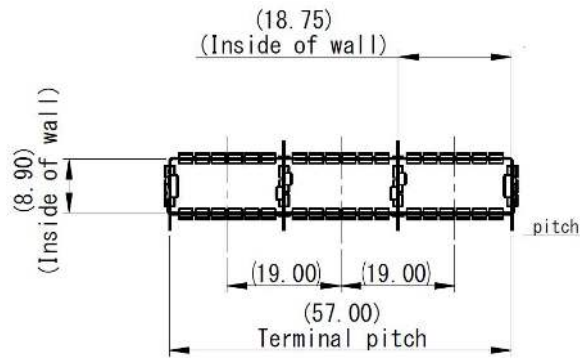
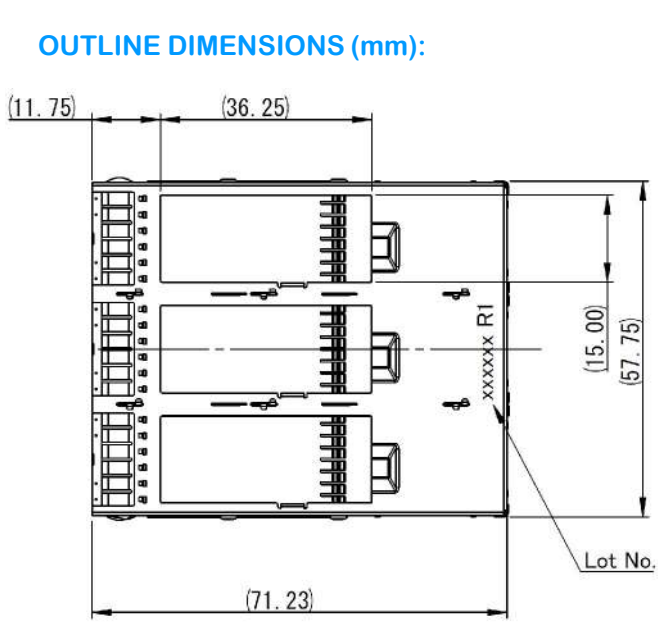
**OUTLINE DIMENSIONS (mm):**



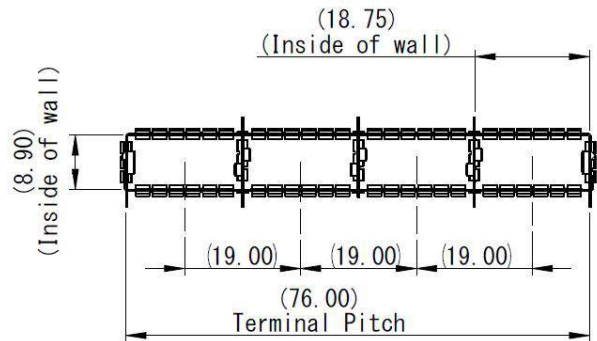
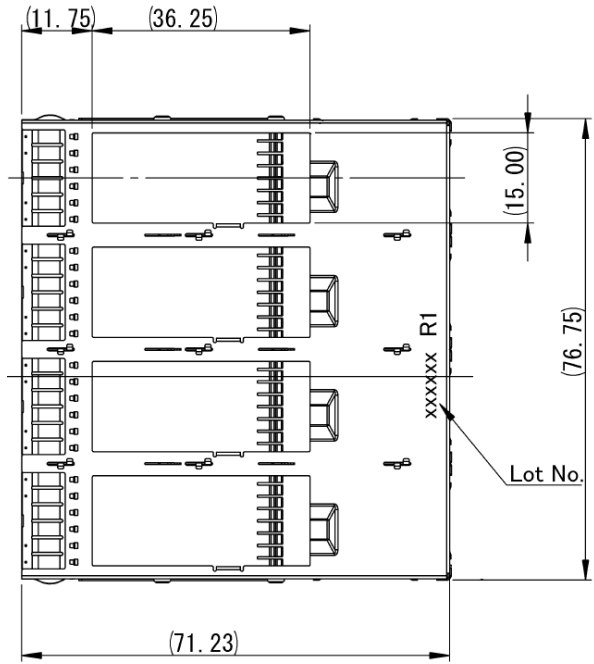
**CN174C-1001-03**



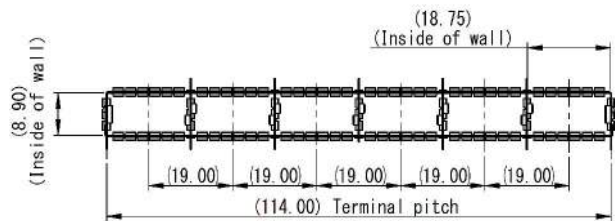
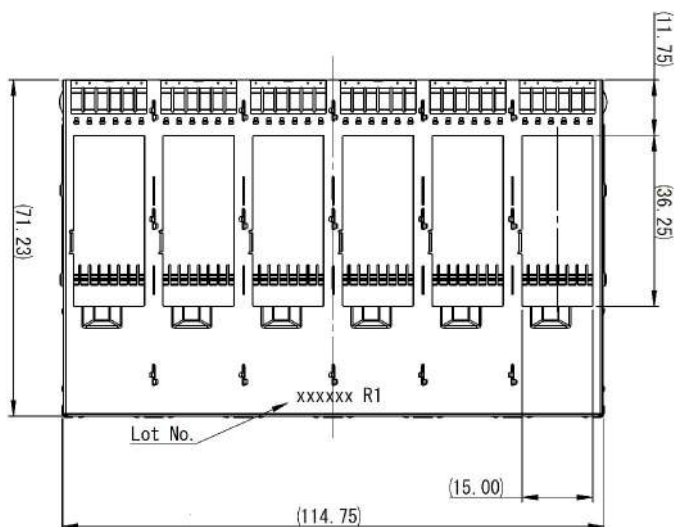
**CN174C-2001-01**

**OUTLINE DIMENSIONS (mm):**


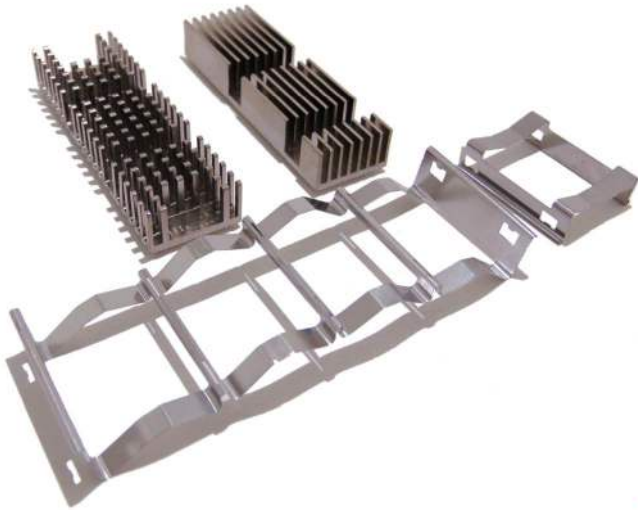
**CN174C-3001-01**



**CN174C-4001-02**



**CN174C-6001-01**



**PART NUMBER FOR HEAT SINKS & CLIPS:**  
**CN174X-076-000X**

Series Name

F = Heat Sink  
M = Clip

For Heat Sinks:  
6 = Front-Back Fin for 1xN Cage  
7 = Front-Back Fin for 1x1 Cage  
9 = Grid Pin Fin for 1x1 Cage

For Clip:  
5 = 1x3 Cage Heat Sink Clip  
6 = 1x4 Cage Heat Sink Clip  
7 = 1x1 Cage Heat Sink Clip  
8 = 1x6 Cage Heat Sink Clip  
9 = 1x2 Cage Heat Sink Clip

**MATERIALS AND FINISH:**

- Clip: Stainless Steel
- Heat Sink: Aluminum with Anodize finish

**QSFP-DD MSA COMPLIANT**

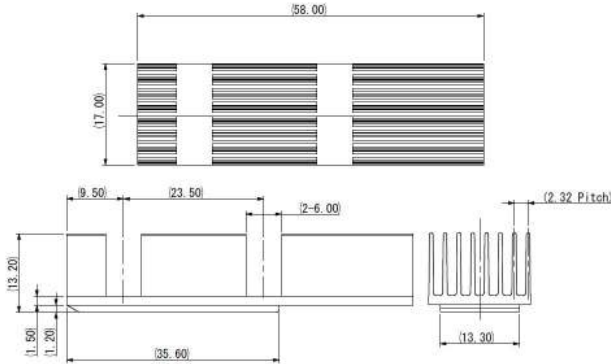
**SPECIFICATIONS:**

- Operating Temp.: +65°C MAX
- Insertion Force: 90 N MAX
- Extraction Force: 50 N MAX

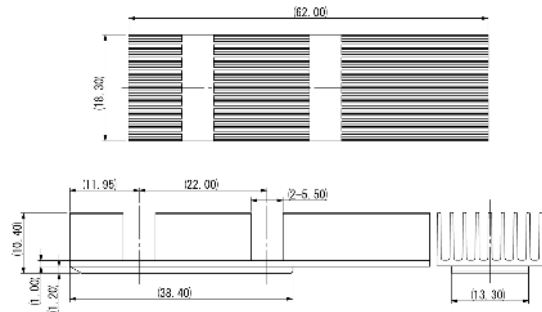
**FEATURES:**

- QSFP-DD MSA Design Guideline Compliant
- Offers Side-to-Side and Front-to-Back configurations
- Customization on Heat Sink design available
- RoHS and REACH Compliant

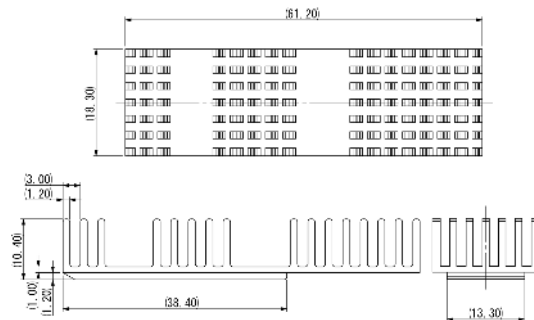
**OUTLINE DIMENSIONS (mm):**



**CN174F-076-0006**

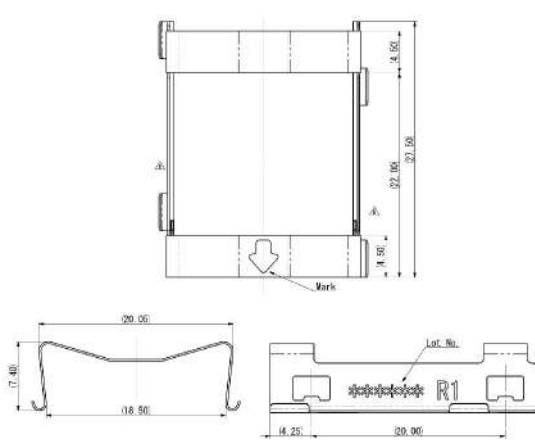


**CN174F-076-0007**

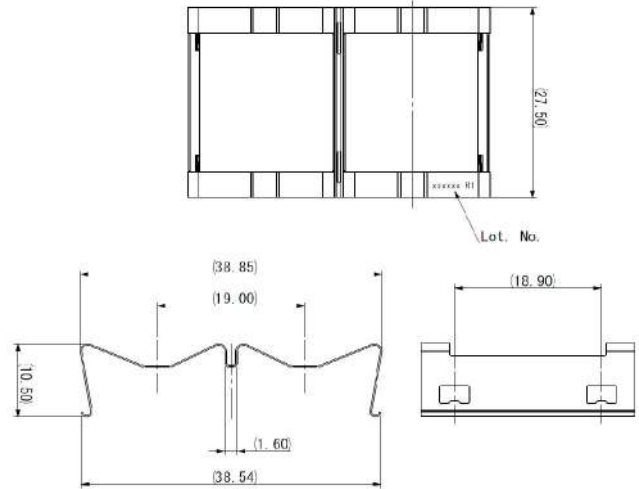


**CN174F-076-0009**

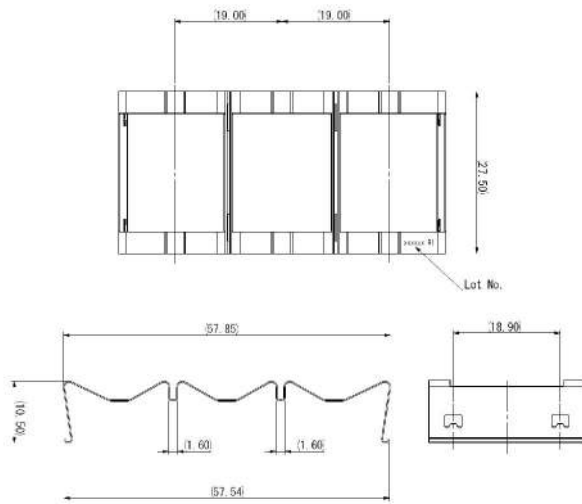
**OUTLINE DIMENSIONS (mm):**



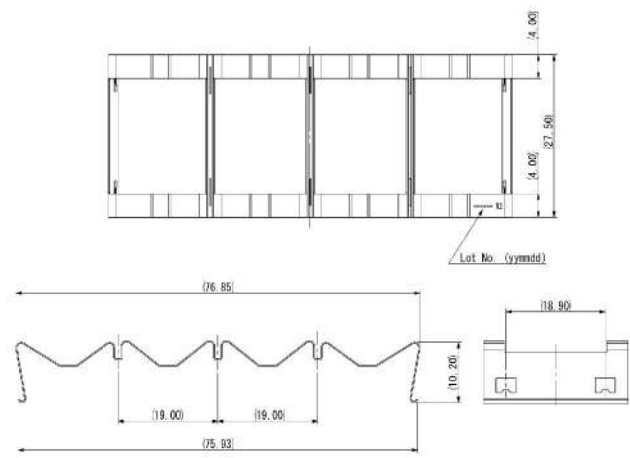
**CN174F-076-0007**



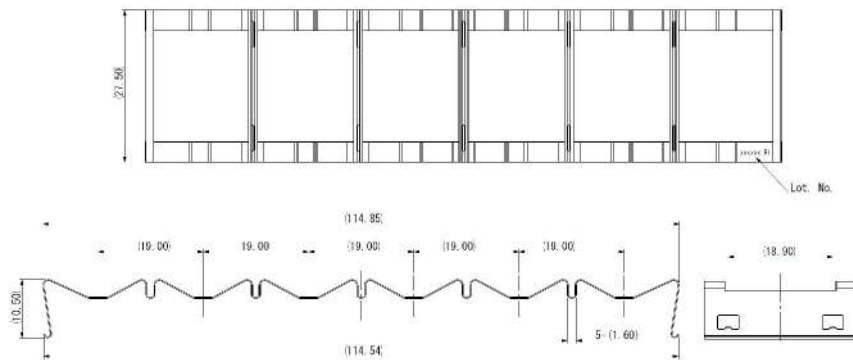
**CN174F-076-0009**



**CN174F-076-0005**



**CN174F-076-0006**



**CN174F-076-0008**



**PART NUMBER FOR HOST MECHANICAL ASSEMBLY:**

**CN174A-076-000X**

Series Name

A = Cage Assembly

MECH. ASSEMBLY CONFIG.:

4 = 1x1 Port with Front-Back Fin HS

5 = 1x1 Port with Pin Fin HS

**QSFP-DD MSA COMPLIANT**

**MATERIALS AND FINISH:**

- Cage: Stainless Steel
- Clip: Stainless Steel
- Heat Sink: Aluminum with Anodize finish

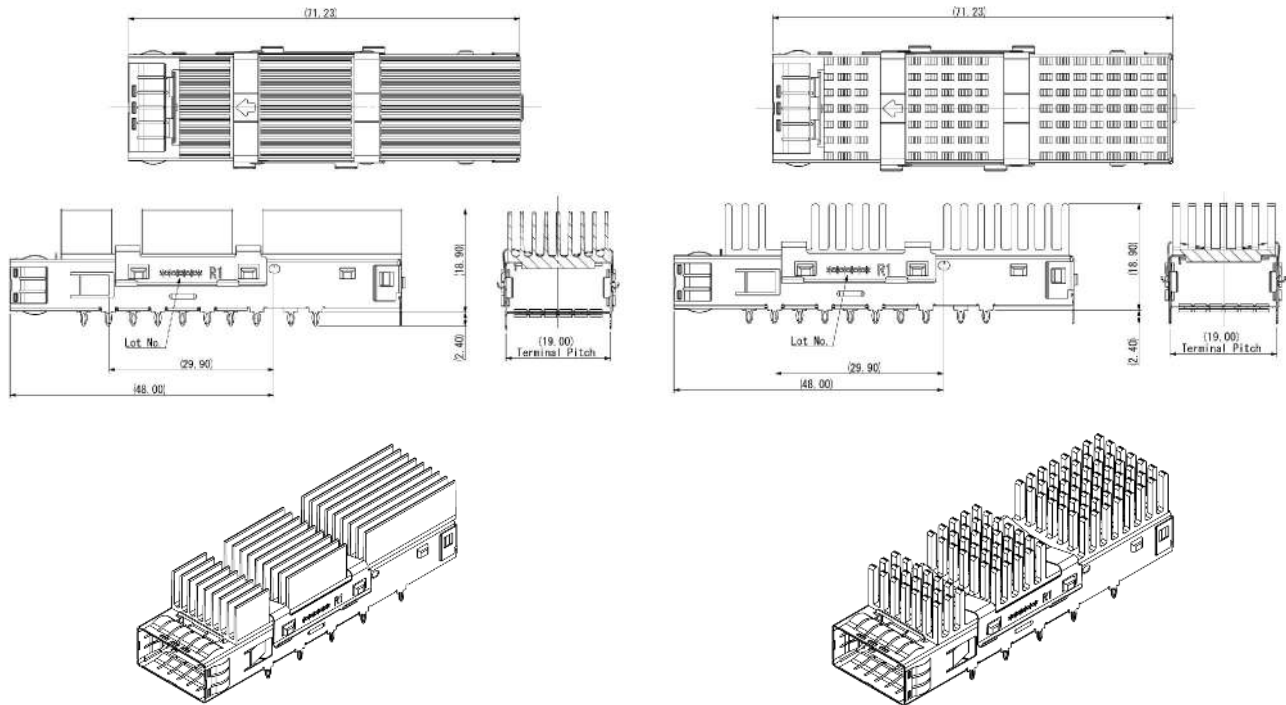
**SPECIFICATIONS:**

- Operating Temp.: +65°C MAX
- Insertion Force: 90 N MAX
- Extraction Force: 50 N MAX

**FEATURES:**

- QSFP-DD MSA Design Guideline Compliant
- Each mechanical assembly contains:
  - Host Cage
  - Heat Sinks
  - Clips
- Offer Front-Back and Pin Fin Heat Sink configurations
- Product packages in assembled fashion
- RoHS and REACH Compliant

**OUTLINE DIMENSIONS (mm):**



**CN174A-076-0004 (LEFT) & CN121A-076-0005 (RIGHT)**